



IF SERIES

3000VDC REGULATED SINGLE OUTPUT 1WATT DC-DC CONVERTER

FEATURES

- 7 PIN SIP PACKAGE.
- 3000VDC ISOLATION.
- OUTPUT REGULATION < 1.5%.
- UL 94V-0 PACKAGE MATERIAL.

GENERAL SPECIFICATIONS

- OUTPUT RIPPLE (20MHz Band limited) : 60mVp-p MAX
- ISOLATION RESISTANCE :100M Ω MIN @500VDC
- SWITHINGFREQUENCY :80KHz TYP.
- OPERATING TEMPERATURE :0 °C TO 70°C
- EFFICIENCY(5V) :60% TYP,50%MIN
- EFFICIENCY(9V,12V,15V) :70 % TYP,55%MIN
- ISOLATION VOLTAGE :3000 VDC

ELECTRICAL SPECIFICATIONS

- INPUT VOLTAGE RANGE : \pm 5%
- OUTPUT VOLTAGE TOLERANCE : \pm 3%
- LINE REGULATION(10% TO 100% F.L.) :0.25%/1% OF Vin
- LOAD REGULATION(10% TO 100% F.L.) :0.9%TYP. 1.5%MAX

5v and 12v input types

24V and 48V input types

PART NUMBER	OUTPUT VOLTAGE (VDC)	OUTPUT CURRENT (mA)	EFFICIENCY (% TYP.)	PACKAGE STYLE	PART NUMBER	OUTPUT VOLTAGE (VDC)	OUTPUT CURRENT (mA)	EFFICIENCY (% TYP.)	PACKAGE STYLE
IFXX05S-1W	5	200	60	1	IFXX05S-1W	5	200	60	2
IFXX09S-1W	9	111	65	1	IFXX09S-1W	9	111	65	2
IFXX12S-1W	12	83	70	1	IFXX12S-1W	12	83	70	2
IFXX15S-1W	15	67	72	1	IFXX15S-1W	15	67	72	2
IFXX05S-1W	5	200	60	3	IFXX05S-1W	5	200	60	4
IFXX09S-1W	9	111	65	3	IFXX09S-1W	9	111	65	4
IFXX12S-1W	12	83	70	3	IFXX12S-1W	12	83	70	4
IFXX15S-1W	15	67	72	3	IFXX15S-1W	15	67	72	4

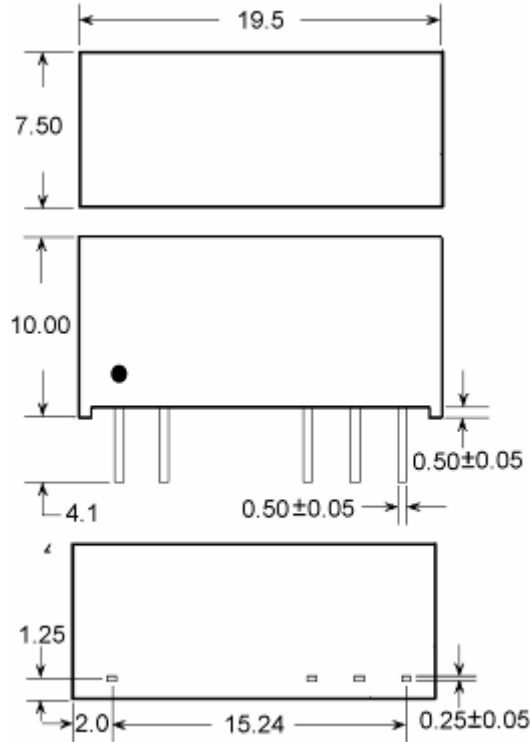
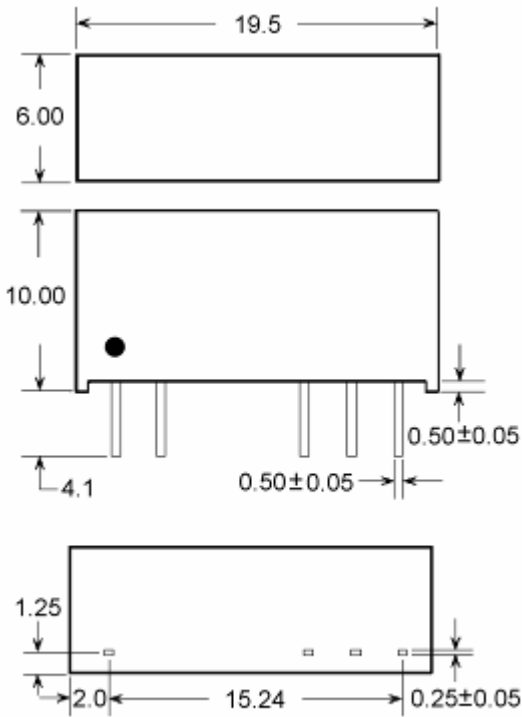


IF SERIES

3000VDC REGULATED SINGLE OUTPUT
1WATT DC-DC CONVERTER

MARKINGS AND DIMENSIONS

PIN CONNECTION



PIN	7 PIN
1	+INPUT
2	-INPUT
4	-OUTPUT
5	CTRL
6	+VOUTPUT

Dimensions:inches/mm
Unless otherwise specified,
all tolerances are
 $\pm.005/\pm0.13$

Dimensions:inches/mm
Unless otherwise specified,
all tolerances are
 $\pm.005/\pm0.13$