



# BF SERIES

# 3000VDC SINGLE OUTPUT 1 WATT DC-DC CONVERTER

## FEATURES

- 4 PIN SIP AND 8 PIN DIL PACKAGE.
- 3000VDC ISOLATION.
- UNREGULATED OUTPUT TYPES.
- UL 94V-0 PACKAGE MATERIAL.

## GENERAL SPECIFICATIONS

- OUTPUT RIPPPL (20MHz Bfand limited) : 100mVp-p MAX
- ISOLATION RESISTANCE :1000M $\Omega$  MIN @500VDC
- SWITHINGFREQUENCY :100KHz TYP.
- OPERATING TEMPERATURE :0  $^{\circ}$ C TO 70 $^{\circ}$ C
- ISOLATION VOLTAGE :3000 VDC

## ELECTRICAL SPECIFICATIONS

- INPUT VOLTAGE RANGE : $\pm$ 10%
- OUTPUT VOLTAGE TOLERANCE : $\pm$ 5%
- LINE REGULATION(10% TO 100% F.L.) : $\pm$ 1.2%/1% OF Vin
- LOAD REGULATION(10% TO 100% F.L.)  
3.3V AND 5V OUTPUT TYPES :15% MAX  
9V,12V AND 15V OUTPUT TYPES :10% MAX

### 3.3v,5V,12V,24V,48V input types

PART NUMBER	OUTPUT VOLTAGE (VDC)	OUTPUT CURRENT (mA)	EFFICIENCY (% TYP.)	PACKAGE STYLE	PART NUMBER	OUTPUT VOLTAGE (VDC)	OUTPUT CURRENT (mA)	EFFICIENCY (% TYP.)	PACKAGE STYLE
BF0305S-W5	5	100	70	1	BF0305D-W5	5	100	70	3
BF0309S-W5	9	56	75	1	BF0309D-W5	9	56	75	3
BF0312S-W5	12	42	75	1	BF0312D-W5	12	42	75	3
BF0315S-W5	15	34	75	1	BF0315D-W5	15	34	75	3
BF0503S-W5	3.3	154	75	1	BF0503D-W5	3.3	154	75	3
BFXX05S-1W	5	200	75	1	BFXX05D-1W	5	200	75	3
BFXX09S-1W	9	110	75	1	BFXX09D-1W	9	110	75	3
BFXX12S-1W	12	84	75	1	BFXX12D-1W	12	84	75	3
BFXX15S-1W	15	67	75	1	BFXX15D-1W	15	67	75	3
BF4805S-1W	5	200	75	2	BF4805D-1W	5	200	70	4
BF4809S-1W	9	110	75	2	BF4809D-1W	9	110	75	4
BF4812S-1W	12	84	75	2	BF4812D-1W	12	84	75	4
BF4815S-1W	15	67	75	2	BF4815D-1W	15	67	75	4

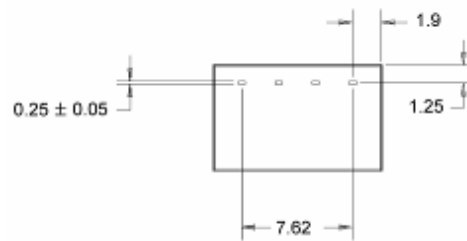
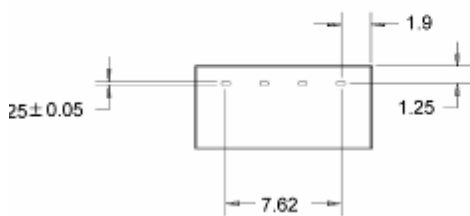
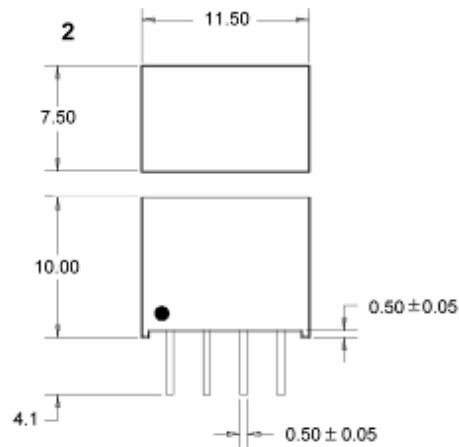
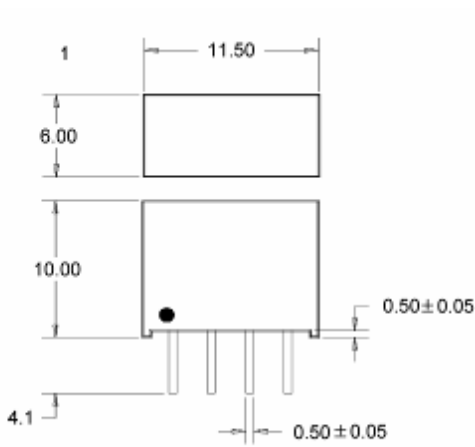


# BF SERIES

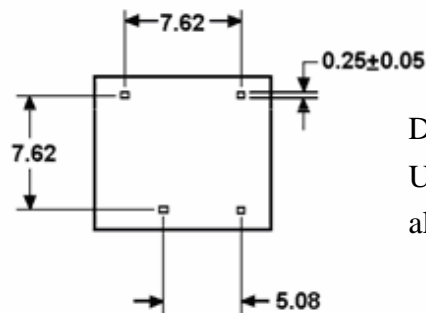
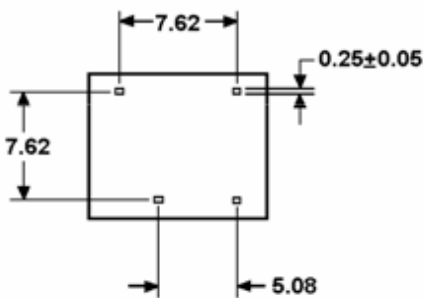
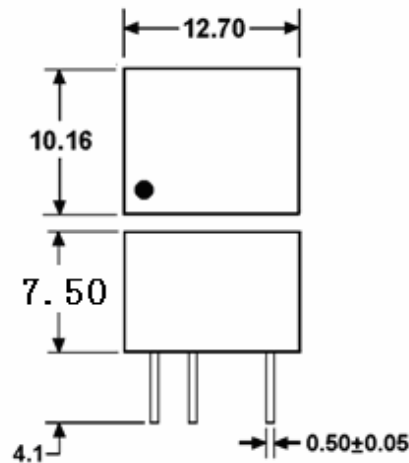
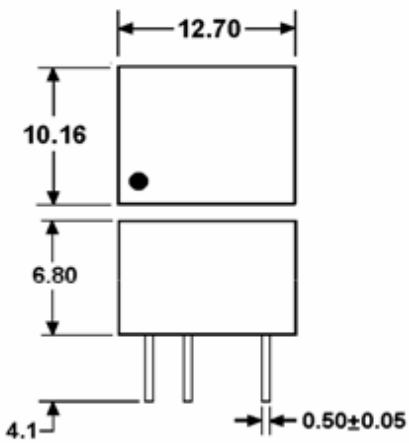
## 3000VDC SINGLE OUTPUT 1 WATT DC-DC CONVERTER

### MARKINGS AND DIMENSIONS

### PIN CONNECTION



PIN	4 PIN
1	-INPUT
2	+INPUT
3	-OUTPUT
4	+OUTPUT



PIN	8 PIN
1	-INPUT
4	+INPUT
5	+OUTPUT
7	-OUTPUT

Dimensions: inches/mm  
Unless otherwise specified,  
all tolerances are  $\pm 0.005/\pm 0.13$