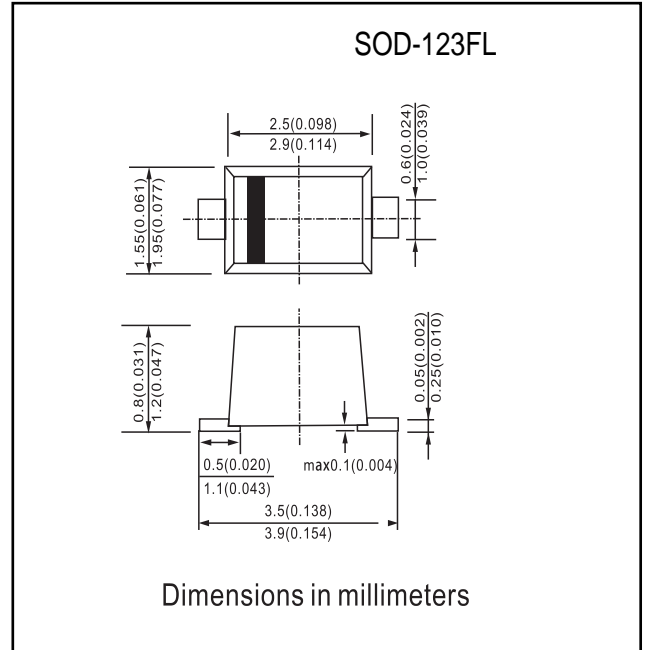


**FEATURES**

- Low forward surge current
- Ideal for surface mouted applications
- Low leakage current

**MECHANICAL DATA**

Case:JEDEC SOD-123FL,molded plastic over passivated chip  
 Terminals:Solder Plated, solderable per MIL-STD-750, Method 2026  
 Polarity: Color band denotes cathode end  
 Weight: 0.0008 ounces, 0.022 gram  
 Mounting position: Any



**MAXIMUM RATINGS AND ELECTRICAL CHARACTERISTICS**

Ratings at 25 ambient temperature unless otherwise specified.  
 Single hase,half wave,60Hz,resistive or inductive load.For capacitive load,derate current by 20%.

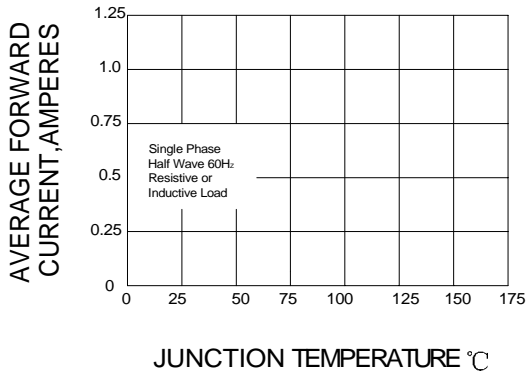
		MBRX 120	MBRX 130	MBRX 140	MBRX 160	MBRX 180	MBRX 1A0	UNITS
Device marking code		S2	S3	S4	S6	S8	SA	
Maximum recurrent peak reverse voltage	$V_{RRM}$	20	30	40	60	80	100	V
Maximum RMS voltage	$V_{RMS}$	14	21	28	42	56	70	V
Maximum DC blocking voltage	$V_{DC}$	20	30	40	60	80	100	V
Maximum average forward rectified current $T_j=90$	$I_{(AV)}$	1.0						A
Peak forward surge current 8.3ms single half-sine-wave superimposed on rated load	$I_{FSM}$	20						A
Maximum instantaneous forward voltage @ $I_{FM}=1.0A$	$V_F$	0.50	0.55		0.72	0.85		V
Repetitive peak reverse current at rated DC blocking voltage	$I_R$	0.3						m A
Typical junction capacitance	$C_J$	30						p F
Operating temperature range	$T_j$	- 55 --- + 125						
Storage temperature range	$T_{STG}$	- 55 --- + 150						

NOTE1.Measured at f=1.0MHz, $V_R=4.0V$

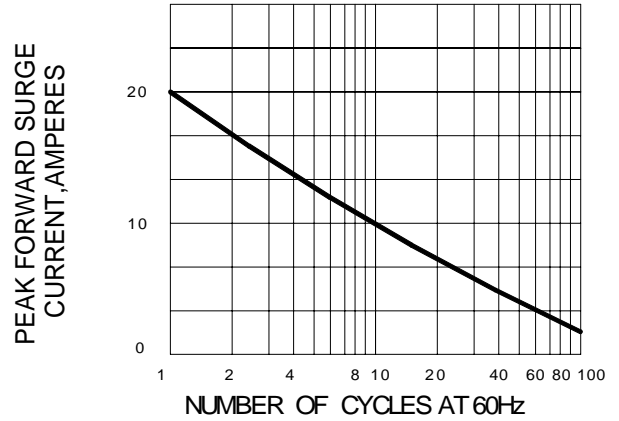
**RATINGS AND CHARACTERISTIC CURVES**

**MBRX120 THRU MBRX1A0**

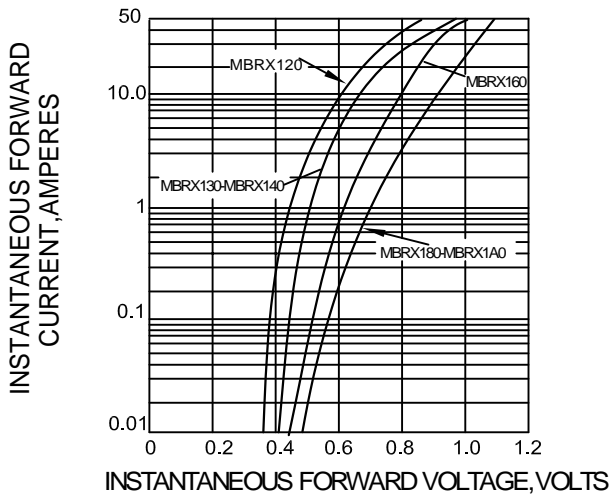
**FIG.1 – FORWARD DERATING CURVE**



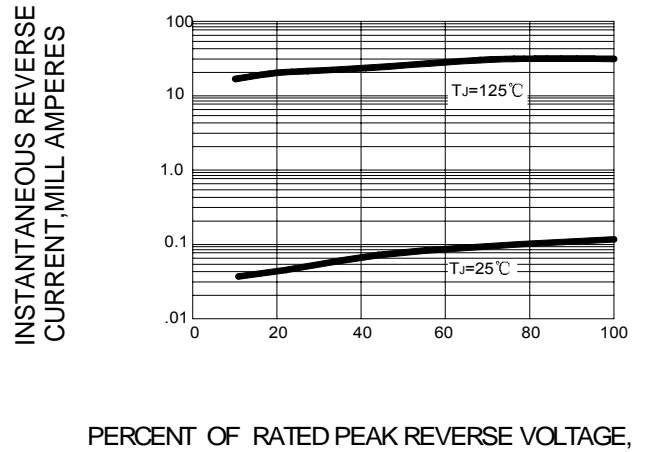
**FIG.2- PEAK FORWARD SURGE CURRENT**



**FIG.3 – TYPICAL FORWARD CHARACTERISTICS**



**FIG.4 – TYPICAL REVERSE CHARACTERISTICS**



**FIG.5-TYPICAL JUNCTION CAPACITANCE**

