



### Features

- System is Fully Qualified to Bluetooth v2.1 + EDR specification
- Bluetooth v2.1 + EDR specification Operation with Full Piconet and Scatternet Support
- Low Power 1.8V operation
- 10 x 10 x 1.6mm 96-Ball LFBGA Package
- Minimum External Components
- Integrated 1.8V Regulator
- UART Port to 4Mbaud
- RF Plug-n-Go Package
- 50Ω Matched Connection to Antenna
- RoHS Compliant version available

### Single Chip Bluetooth v2.1 + EDR System

Production Information

BC41B143A

Issue 5

### General Description

The BlueCore4-ROM Plug-n-Go is a single chip radio and baseband IC for Bluetooth 2.4GHz systems. It is implemented in 0.18µm CMOS technology.

BlueCore4-ROM Plug-n-Go contains 4Mb of internal

ROM memory. When used with CSR Bluetooth stack, it provides a fully compliant Bluetooth v2.1 + EDR specification specification for data and voice.

The device incorporates auto-calibration and BIST routines to simplify development, type approval and production test.

### Applications

- Automotive
- Industrial
- Medical

BlueCore4-ROM Plug-n-Go has been designed to reduce the number of external components required which ensures production costs are minimised. The 0.8mm pitch BlueCore4-ROM Plug-n-Go can be used on either two or four layer PCB construction.

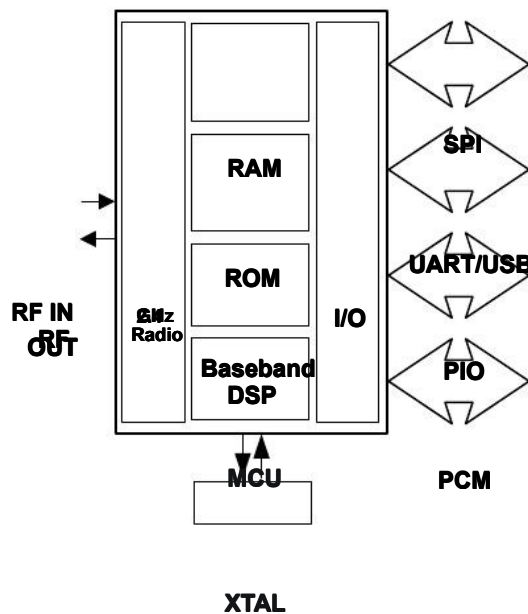


Figure: System Architecture

— ä É · ç È Ö J å J d ç I J # ã Ö å J d ç D a t a S h e e t



## 深圳市诚至微科技有限公司

### 一、BC41B143A

单片蓝牙 2.1 版+EDR 功能系统

### 二、产品特点:

- 1、系统是完全限定 toBluetooth + EDR 规范版
- 2、蓝牙版+ EDR 规范操作, 全微微网和散的支持
- 3、低功率1.8 v操作
- 4、10x10x1.6mm 96-ball的封装
- 5、最小工作电压1.8V
- 6、集成1.8 v调节器
- 7、4 mbaud UART港口
- 8、射频塞n去包
- 9、50Ω匹配的连接到一个tenna
- 10、RoHS兼容的版本

### 三、产品描述

这个BlueCore4-ROM塞n去是一个单芯片无线电和基带IC为蓝牙2.4 ghz系统。这是在0.18μm CMOS技术。

BlueCore4-ROM塞n去包含4 mb的内部罗内存。当使用CSR蓝牙堆栈, 它提供了一个完全兼容的蓝牙版+ EDR功能规范数据和语音的规范。该设备包含自校准和阿拉伯学者例程来简化开发、型式和生产试验。

### 四、应用范围

汽车 工业 医学的

深圳市诚至微科技有限公司  
手机: 13510662515  
http://www.czwtech.com