

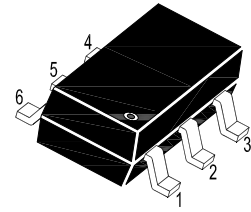
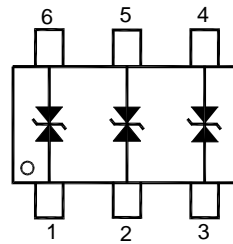
ESDB850D-HAF

Transient Voltage Suppressors

ESD protection diode

Features

- Halogen and Antimony Free(HAF), RoHS compliant



Marking Code:H5
SOT-26 Plastic package

Absolute Maximum Ratings ($T_a = 25^\circ\text{C}$)

Parameter	Symbol	Value	Unit
Peak Pulse Current ($t_p = 8/20 \mu\text{s}$)	I_{PP}	8	A
IEC61000-4-2 (ESD) Air Contact	V_{PP}	± 15 ± 8	KV
Peak Pulse Power ($t_p = 100 \text{ ns}$)	P_{PK}	450	W
Operation Temperature Range	T_j	- 55 to + 150	$^\circ\text{C}$
Storage Temperature Range	T_{stg}	- 55 to + 150	$^\circ\text{C}$

Characteristics at $T_a = 25^\circ\text{C}$

Parameter	Symbol	Min.	Max.	Unit
Reverse Stand-Off Voltage	V_{RWM}	-	47	V
Reverse Breakdown Voltage at $I_R = 1 \text{ mA}$	$V_{(BR)R}$	50	-	V
Reverse Current at $V_R = 47 \text{ V}$	I_R	-	2	μA
Clamping Voltage at $I_{PP} = 8 \text{ A}$, $t_p = 8/20 \mu\text{s}$	V_C	-	126	V
Capacitance between Terminals at $V_R = 0 \text{ V}$, $f = 1 \text{ MHz}$	C_J	-	30	pF

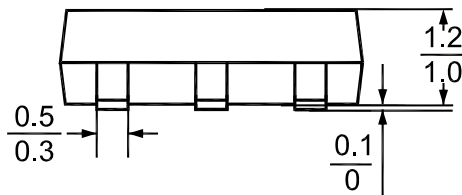
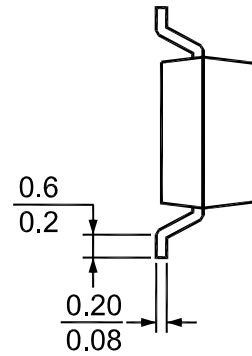
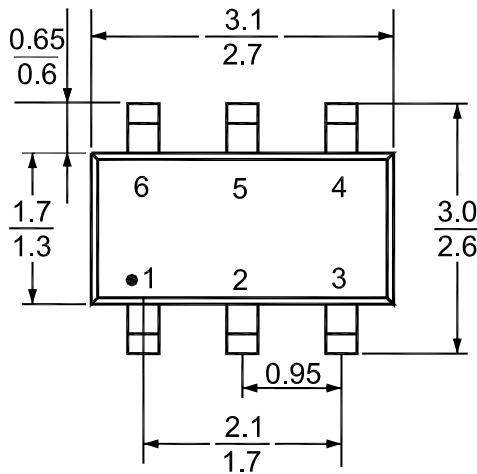
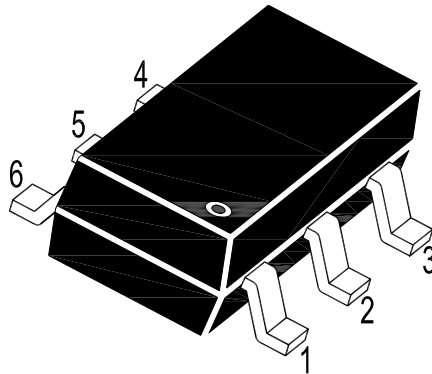
TOP DYNAMIC



Dated: 03/08/2016 TTC8 Rev:01

ESDB850D-HAF

Package Outline Dimensions (Units: mm)



TOP DYNAMIC

