

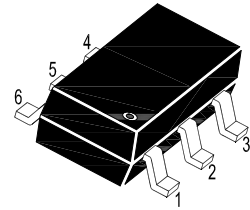
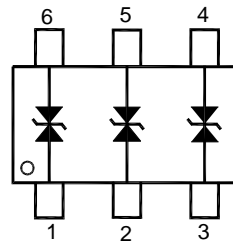
ESD0850D-HAF

Transient Voltage Suppressors

ESD protection diode

Features

- Halogen and Antimony Free(HAF), RoHS compliant



Marking Code:E5
SOT-26 Plastic package

Absolute Maximum Ratings ($T_a = 25^\circ\text{C}$)

Parameter	Symbol	Value	Unit
Peak Pulse Current ($t_p = 8/20 \mu\text{s}$)	I_{PP}	8	A
IEC61000-4-2 (ESD) Air Contact	V_{PP}	± 15 ± 8	KV
Peak Pulse Power ($t_p = 8 / 20 \mu\text{s}$)	P_{PK}	400	W
Operation Temperature Range	T_j	- 55 to + 150	$^\circ\text{C}$
Storage Temperature Range	T_{stg}	- 55 to + 150	$^\circ\text{C}$

Characteristics at $T_a = 25^\circ\text{C}$

Parameter	Symbol	Min.	Max.	Unit
Reverse Stand-Off Voltage	V_{RWM}	-	47	V
Reverse Breakdown Voltage at $I_R = 1 \text{ mA}$	$V_{(BR)R}$	50	-	V
Reverse Current at $V_R = 47 \text{ V}$	I_R	-	2	μA
Clamping Voltage at $I_{PP} = 8 \text{ A}$, $t_p = 8/20 \mu\text{s}$	V_C	-	126	V
Capacitance between Terminals at $V_R = 0 \text{ V}$, $f = 1 \text{ MHz}$	C_J	-	30	pF

TOP DYNAMIC

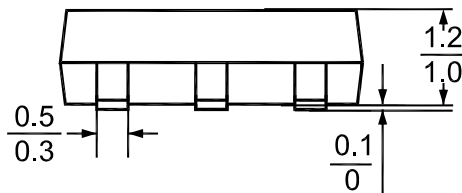
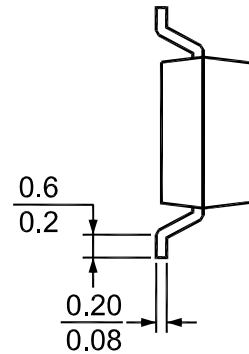
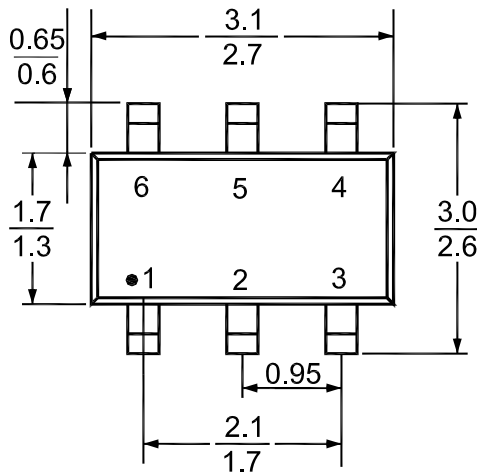
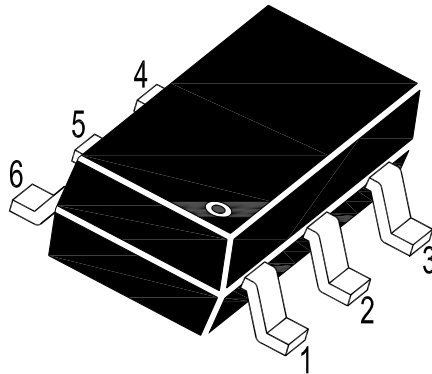


ISO14001 : 2004 Certificate No. 121505007
 ISO 9001 : 2008 Certificate No. 50114012
 OHSAS 18001 : 2007 Certificate No. 0513150006
 IECQ QC 080000 Certificate No. ESDH10001 HJ02

Dated: 30/10/2015 Rev:02

ESD0850D-HAF

Package Outline Dimensions (Units: mm)



TOP DYNAMIC