

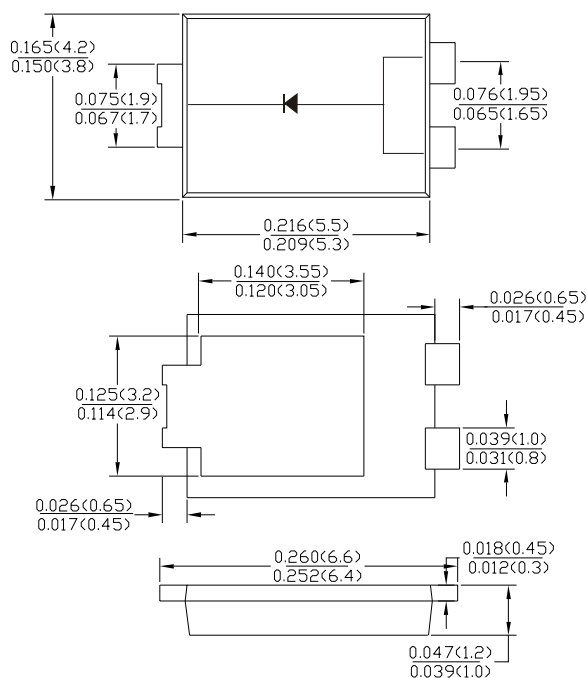
### Features

- Schottky Barrier Chip
- High Thermal Reliability
- Patented Super Barrier Rectifier Technology
- High Forward Surge Capability
- Ultra Low Power Loss, High Efficiency
- Excellent High Temperature Stability
- Plastic material-UL flammability 94V-0

### Mechanical Data

- Case: TO-277, molded plastic
- Terminals: Plated Leads Solderable per MIL-STD-202, Method 208
- Polarity: Cathode Band
- Mounting Position: Any
- Marking: Type Number
- Lead Free: For RoHS/Lead Free Version

### TO-277



Dimensions inches and (milimeters)

### Maximum Ratings and Electrical Characteristics @ $T_A = 25^\circ\text{C}$ unless otherwise specified

Single Phase, half wave, 60Hz, resistive or inductive load. For capacitive load, derate current by 20%.

Parameter	Symbol	SR 1045L	SR 1050L	SR 1060L	SR 1080L	SR 10100L	SR 10150L	Unit
Peak Repetitive Reverse Voltage	$V_{RRM}$							
Working Peak Reverse Voltage	$V_{RWM}$	45	50	60	80	100	150	V
DC blocking voltage	$V_{DC}$							
RMS Rectified Voltage	$V_{R(RMS)}$	28	35	42	56	70	105	V
Average Rectified Output Current (Note1)	$I_O$	10						A
Non-Repetitive Peak Forward Surge 8.3ms Single Half Sine-Wave Superimposed on rated load (JEDEC Method) (Note2)	$I_{FSM}$	275						A
Forward Voltage Drop $T_A = 25^\circ\text{C}$ @ $I_F = 10\text{A}$	$V_{FM}$	0.42	0.45	0.47	0.75	0.78		V
Peak Reverse Current $T_A = 25^\circ\text{C}$ At Rated DC Blocking Voltage $T_A = 100^\circ\text{C}$	$I_R$	0.3				15		mA
Typical Thermal Resistance Junction to Ambient	$R_{\theta JA}$ $R_{\theta JL}$	80				15		$^\circ\text{C}/\text{W}$
Operating junction temperature range	$T_J$	-55 to +150						$^\circ\text{C}$
storage temperature range	$T_{STG}$	-55 to +150						$^\circ\text{C}$

Note: 1. Valid Provided that are kept at ambient temperature at a distance of 9.5mm from the case.

2. Fr-4pcb. 2oz. Copper, minimum recommend pad layout .18.8mm×14.4. Anode pad dimensions 5.6mm×14.4mm.

Fig. 1 - Forward Current Derating Curve

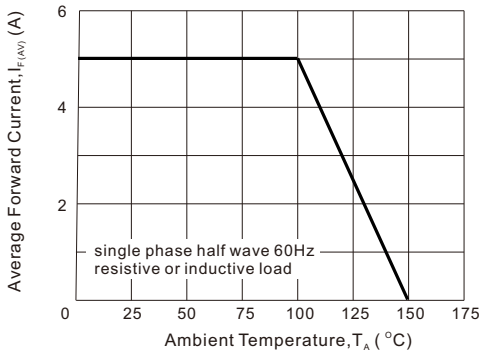


Fig.2 : Instantaneous Forward Voltage

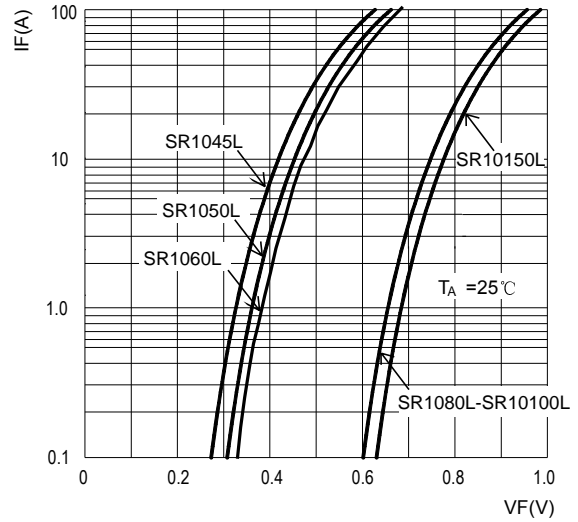


Fig.3: Surge Forward Current Capadity

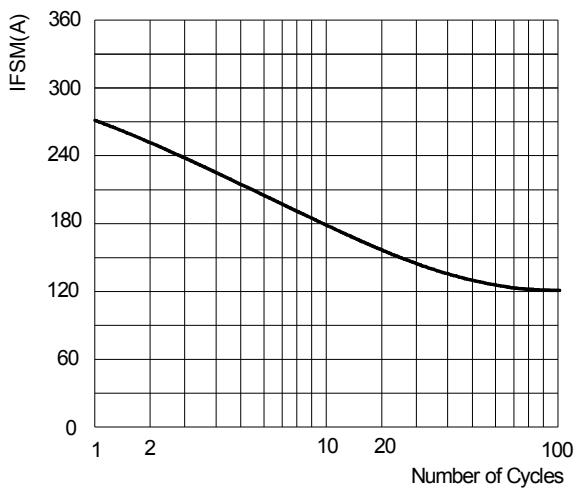


Fig.4: Typical Reverse Characteristics

