

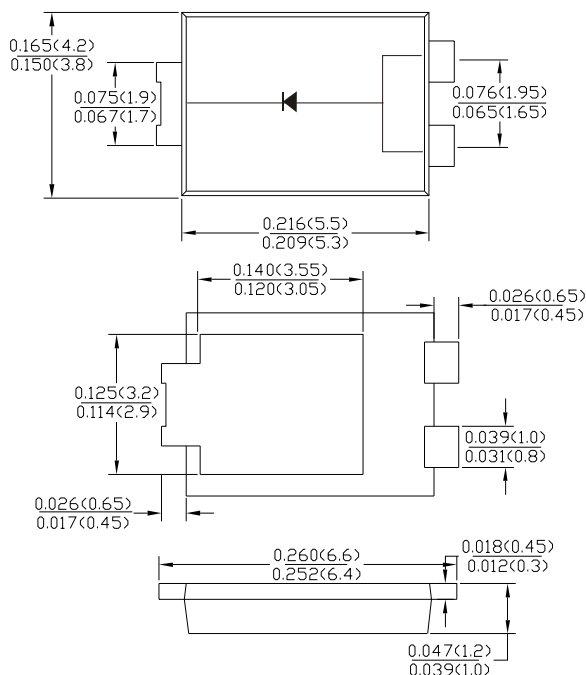
Features

- Schottky Barrier Chip
- High Thermal Reliability
- Patented Super Barrier Rectifier Technology
- High Forward Surge Capability
- Ultra Low Power Loss, High Efficiency
- Excellent High Temperature Stability
- Plastic material-UL flammability 94V-0

Mechanical Data

- Case: TO-277, molded plastic
- Terminals: Plated Leads Solderable per MIL-STD-202, Method 208
- Polarity: Cathode Band
- Mounting Position: Any
- Marking: Type Number
- Lead Free: For RoHS/Lead Free Version

TO-277



Dimensions inches and (milimeters)

Maximum Ratings and Electrical Characteristics @ $T_A = 25^\circ\text{C}$ unless otherwise specified

Single Phase, half wave, 60Hz, resistive or inductive load. For capacitive load, derate current by 20%.

Parameter	Symbol	SR	SR	SR	SR	SR	SR	Unit
		1545L	1550L	1560L	1580L	15100L	15150L	
Peak Repetitive Reverse Voltage	V_{RRM}							V
Working Peak Reverse Voltage	V_{RWM}	45	50	60	80	100	150	V
DC blocking voltage	V_{DC}							V
RMS Rectified Voltage	$V_{R(RMS)}$	28	35	42	56	70	105	V
Average Rectified Output Current (Note1)	I_o	15						A
Non-Repetitive Peak Forward Surge 8.3ms Single Half Sine-Wave Superimposed on rated load (JEDEC Method) (Note2)	I_{FSM}	275						A
Forward Voltage Drop $T_A = 25^\circ\text{C}$ @ $I_F = 15\text{A}$	V_{FM}	0.45	0.48	0.55	0.75	0.80		V
Peak Reverse Current $T_A = 25^\circ\text{C}$ At Rated DC Blocking Voltage $T_A = 100^\circ\text{C}$	I_R	0.3 15						mA
Typical Thermal Resistance Junction to Ambient	$R_{\theta JA}$ $R_{\theta JL}$	80 15						$^\circ\text{C}/\text{W}$
Operating junction temperature range	T_J	-55 to +150						$^\circ\text{C}$
storage temperature range	T_{STG}	-55 to +150						$^\circ\text{C}$

Note: 1. Valid Provided that are kept at ambient temperature at a distance of 9.5mm from the case.

2. Fr-4 pcb. 2oz. Copper, minimum recommend pad layout .188mm x 14.4mm. Anode pad dimensions 5.6mm x 14.4mm.

Fig.1 - Forward Current Derating Curve

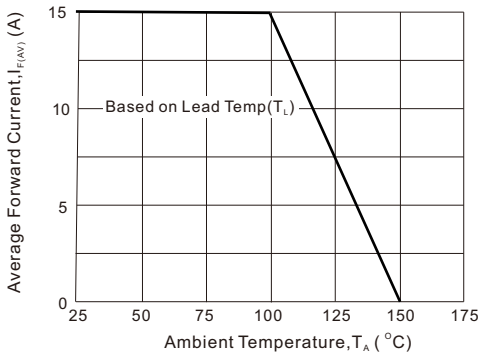


Fig2 : Instantaneous Forward Voltage

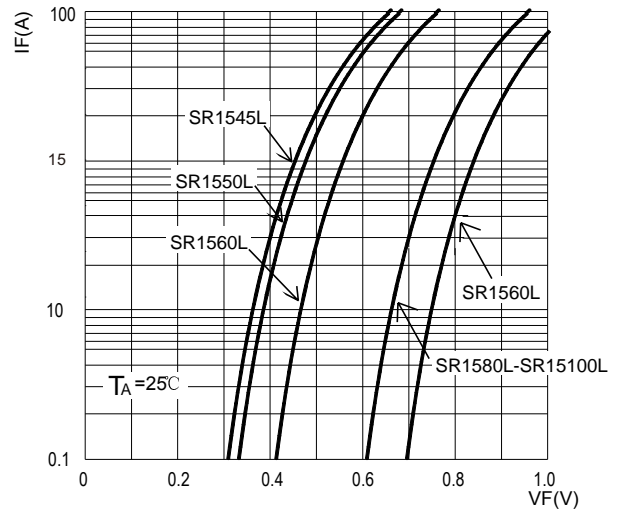


Fig3: Surge Forward Current Capadility

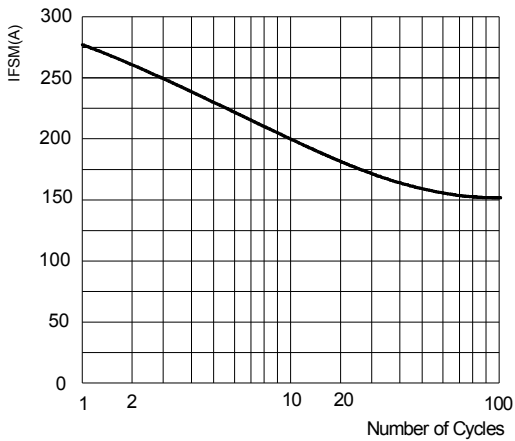


Fig4: Typical Reverse Characteristics

