

MA4ZD14

Silicon epitaxial planar type

For high-speed switching circuits

■ Features

- S-mini type 4-pin package
- Low forward rise voltage V_F ($V_F < 0.4$ V)
- Allowing high-density mounting

■ Absolute Maximum Ratings $T_a = 25^\circ\text{C}$

Parameter	Symbol	Rating	Unit
Reverse voltage (DC)	V_R	20	V
Repetitive peak reverse voltage	V_{RRM}	20	V
Forward current (DC)	Single	I_F	100 mA
	Double*1		75
Peak forward current	Single	I_{FM}	300 mA
	Double*1		225
Non-repetitive peak forward surge current*2	Single	I_{FSM}	1 A
	Double*1		0.75
Junction temperature	T_j	125	$^\circ\text{C}$
Storage temperature	T_{stg}	-55 to +125	$^\circ\text{C}$

Note) *1 : Value per chip

*2: The peak-to-peak value in one cycle of 50 Hz sine-wave (non-repetitive)

■ Electrical Characteristics $T_a = 25^\circ\text{C} \pm 3^\circ\text{C}$

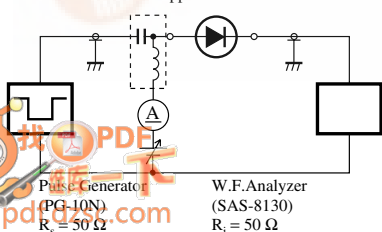
Parameter	Symbol	Conditions	Min	Typ	Max	Unit
Reverse current (DC)	I_R	$V_R = 10$ V			20	μA
Forward voltage (DC)	V_{F1}	$I_F = 5$ mA			0.27	V
	V_{F2}	$I_F = 100$ mA			0.40	V
Terminal capacitance	C_t	$V_R = 0$ V, $f = 1$ MHz		25		pF
Reverse recovery time*	t_{rr}	$I_F = I_R = 100$ mA $I_{rr} = 10$ mA, $R_L = 100$ Ω		3		ns

Note) 1. Schottky barrier diode is sensitive to electric shock (static electricity, etc.). Due attention must be paid on the charge of a human body and the leakage of current from the operating equipment.

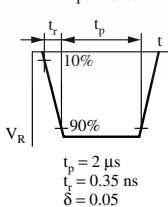
2. Rated input/output frequency: 250 MHz

3. *: t_{rr} measuring instrument

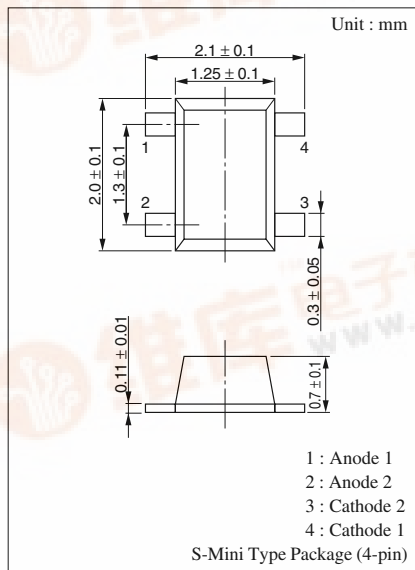
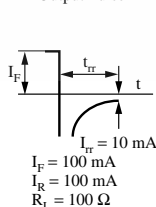
Bias Application Unit N-50BU



Input Pulse



Output Pulse



Marking Symbol: M5D

Internal Connection

