

Under Development

Square type Optical Fiber Transmitter / Receiver Unit for 3V Operation and Double Speed

[GP1FA313TZ/RZ, GP1FA352TZ/RZ]

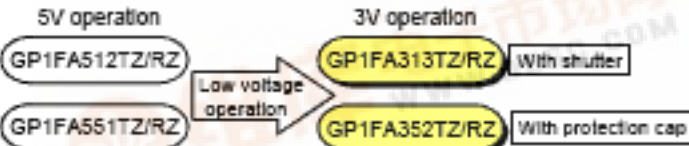
Features

- Double speed for high quality audio signal I/O (Data rate: MAX 15.5 Mbps)
- Low voltage operation (V_{CC} =2.7 to 3.6V)
- Low current consumption

Applications

- DVD player
- AV amplifier

Development of Square type optical fiber for double speed



Specifications

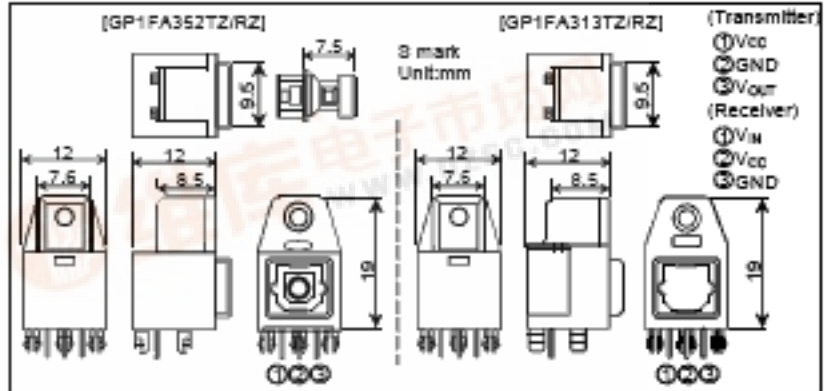
Transmitter

Parameter	Symbol	Characteristics
Operating supply voltage	V_{CC}	2.7 to 3.6 V
Consumption current	I_{CC}	MAX 12 mA
Peak emission wavelength	λ_p	TYP 880 nm
Optical output coupling with fiber	P_C	MIN -21 dBm
Data rate	f	MAX 15.5 Mbps
Jitter	t_j	TYP 1 ns
Operating temperature	T_{op}	-20 to +70 °C

Receiver

Parameter	Symbol	Characteristics
Operating supply voltage	V_{CC}	2.7 to 3.6 V
Consumption current	I_{CC}	MAX 15 mA
Minimum input optical level	P_{min}	MAX -27 dBm
Data rate	f	MAX 15.5 Mbps
Jitter	t_j	TYP 1 ns
Operating temperature	T_{op}	-20 to +70 °C

Outline dimensions



Line-up of Square type Optical fiber unit

