

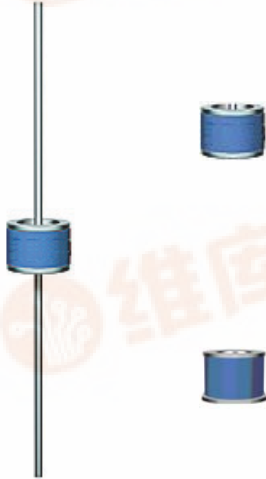
# GAS DISCHARGE TUBE



8x6mm

No. A930/A931/A932

This product is not recommended for new designs. Please refer to Littelfuse series SL1011B.



2-electrode (10kA/10A)

Medium Discharge Current Series Features

Non-radioactive  
Lead Free  
A930 can be used in holder No. 706

### Applications

Telecommunication  
Data Transmission  
Trigger Circuits  
Power Line Modules

### Standard

UL-497B  
complies to ITU-T K.12 (formerly CCITT)  
complies to DIN 57845/VDE 0845

### Approvals

UL-recognized

### WebLinks

Further info see:  
[http://www.wickmanngroup.com/download/orderinfo\\_surgearr.pdf](http://www.wickmanngroup.com/download/orderinfo_surgearr.pdf)  
[http://www.wickmanngroup.com/download/crossref\\_surgearr.pdf](http://www.wickmanngroup.com/download/crossref_surgearr.pdf)

## Specifications

### Packaging

A930: 00=Bulk (1,000 pcs.)  
A931: 01=Reel (500 pcs.)  
A932: 02=Blister Tape (600 pcs.)

### Materials

Housing: Ceramic  
Gas: non-radioactive  
Leads: tin plated

### Arc Voltage @ 1A

~ 15V

### Transition Glow to Arc @

~ 0.8A

### Operating temperature

-40°C to +90°C

### Climatic Category

complies to IEC 60068-1  
+40°C, 21 days, <93% humidity

### Soldering characteristics

complies to IEC 60068-2-20 (A931)

### Soldering Heat Resistance

complies to IEC 60068-2-58

### Marking

Ⓜ, Type, Nom. Voltage, Date

### Unit Weight

ca. 1.5g



### Characteristics

| Type/<br>Order Code  | DC<br>sparkover<br>voltage | Tolerance | Impulse<br>sparkover<br>voltage<br>(1kV/μs)<br>typ. | Glow<br>Voltage | Insulation<br>Resistance<br>(@100 Vdc or<br>@50Vdc for 90V) | Capacitance<br>(@1MHz) | 8/20μs<br>Nominal<br>Impulse<br>Discharge<br>Current<br>(10 times) | 8/20μs<br>Single<br>Impulse<br>Discharge<br>Current<br>(1 time) | AC<br>Nominal<br>Discharge<br>Current<br>(50Hz; 1s;<br>(10 times) | AC<br>Alternating<br>Discharge<br>Current<br>(50Hz;<br>(9 cycles) | Approval<br><br>UL-rec. |
|--|----------------------------|-----------|---|-----------------|---|------------------------|--|---|---|---|-------------------------|
| A930 SO 0090 01 00<br>A931 SO 0090 01 01<br>A932 SO 0090 01 02 | 90V                        | +/- 20%   | <550V   | ~ 60V           | > 10GΩ  | < 1.5 pF               | 10kA   | 12kA  | 10A   | 65A   | •                       |
| A930 SO 0230 01 00<br>A931 SO 0230 01 01<br>A932 SO 0230 01 02 | 230V                       | +/- 20%   | <600V   | ~ 60V           | > 10GΩ  | < 1.5 pF               | 10kA   | 12kA  | 10A   | 65A   | •                       |
| A930 SO 0350 01 00<br>A931 SO 0350 01 01<br>A932 SO 0350 01 02 | 350V                       | +/- 20%   | <800V   | ~ 60V           | > 10GΩ  | < 1.5 pF               | 10kA   | 12kA  | 10A   | 65A   | •                       |
| A930 SO 0600 04 00<br>A931 SO 0600 04 01                       | 600V                       | -10/+20%  | <1.100V   | ~ 60V           | > 10GΩ  | < 1.5 pF               | 10kA   | 12kA  | 10A   | 65A   | •                       |

other values on request

Specifications are subject to change without notice.

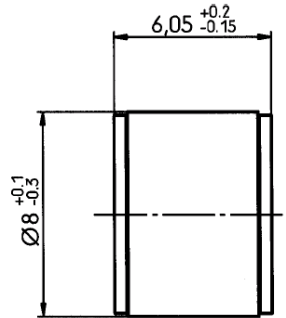
Order Example

| Qty. | Order-<br>Number | Type | Failsafe Option | Sparkover Volt. | Tolerance | Packaging |
|------|------------------|------|-----------------|-----------------|-----------|-----------|
|      |                  | A930 | S0              | 0090            | 01        | 00        |

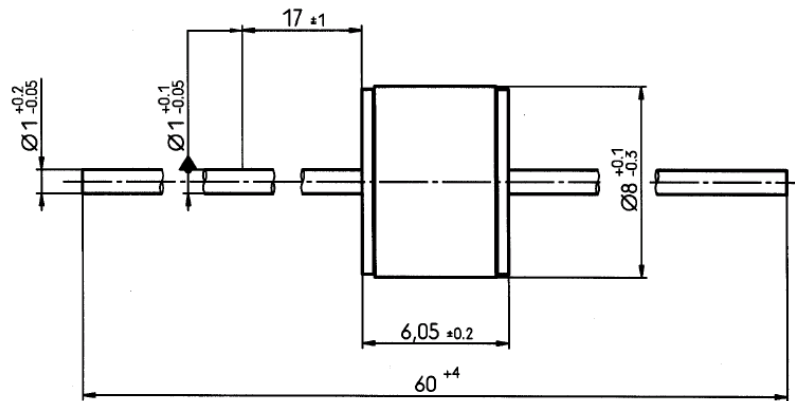


Dimensions (mm) A930/A931/A932

A930



A931



A932

