

Agilent ABA-51563 3.5 GHz Broadband Silicon RFIC Amplifier Data Sheet

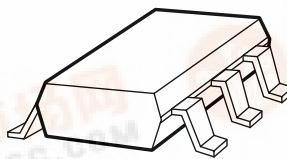
Description

Agilent's ABA-51563 is an economical, easy-to-use, internally 50-ohm matched silicon monolithic broadband amplifier that offers excellent gain and flat broadband response from DC to 3.5 GHz. Packaged in an ultra-miniature industry-standard SOT-363 package, it requires half the board space of a SOT-143 package.

At 2 GHz, the ABA-51563 offers a small-signal gain of 21.5 dB, output P1dB of 1.8 dBm and 11.4 dBm output third order intercept point. It is suitable for use as buffer amplifiers for wideband applications. They are designed for low cost gain blocks in cellular applications, DBS tuners, LNB and other wireless communications systems.

ABA-51563 is fabricated using Agilent's HP25 silicon bipolar process, which employs a double-diffused single polysilicon process with self-aligned submicron emitter geometry. The process is capable of simultaneous high f_T and high NPN breakdown (25 GHz f_T at 6V BVCEO). The process utilizes industry standard device oxide isolation technologies and submicron aluminum multilayer interconnect to achieve superior performance, high uniformity, and proven reliability.

Surface Mount Package SOT-363 / SC70

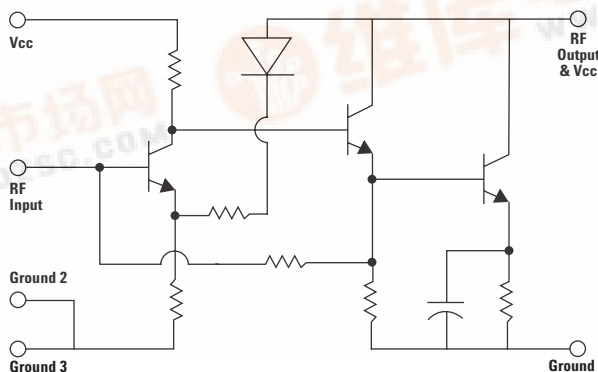


Pin Connections and Package Marking



Note:
Top View. Package marking provides orientation and identification. "x" is character to identify date code.

Simplified Schematic



Features

- Operating frequency: DC ~ 3.5 GHz
- 21.5 dB gain
- VSWR < 2.0 throughout operating frequency
- 1.8 dBm output P1dB
- 3.7 dB noise figure
- Unconditionally stable
- Single 5V supply ($I_d = 18$ mA)
- Lead-free option available

Applications

- Amplifier for cellular, cordless, special mobile radio, PCS, ISM, wireless LAN, DBS, TVRO, and TV tuner applications



Attention:
Observe precautions for handling electrostatic sensitive devices.

ESD Machine Model (Class A)

ESD Human Body Model (Class 1A)

Refer to Agilent Application Note A004R: Electrostatic Discharge Damage and Control.



ABA-51563 Absolute Maximum Ratings^[1]

| Symbol | Parameter | Units | Absolute Max. |
|------------|--|-------|---------------|
| V_{cc} | Device Voltage, RF output to ground (T = 25°C) | V | +7 |
| P_{in} | CW RF Input Power (V _{cc} = 5V) | dBm | +20 |
| P_{diss} | Total Power Dissipation ^[3] | W | 0.3 |
| T_j | Junction Temperature | °C | 150 |
| T_{STG} | Storage Temperature | °C | -65 to 150 |

Thermal Resistance^[2] (V_{cc} = 5V)
 $\theta_{jc} = 104^\circ\text{C/W}$

Notes:

1. Operation of this device in excess of any of these limits may cause permanent damage.
2. Thermal resistance measured using 150°C Liquid Crystal Measurement Technique.
3. Board (package belly) temperature, T_b, is 25°C. Derate 2.3 mW/°C for T_b > 120.8°C.

Electrical Specifications

T_c = +25°C, Z₀ = 50 Ω, P_{in} = -30 dBm, V_{cc} = 5V, Freq = 2 GHz, unless stated otherwise.

| Symbol | Parameter and Test Condition | Units | Min. | Typ. | Max. | Std Dev. |
|------------------------------------|---|-------|------|------------|------|----------|
| G _p ^[1] | Power Gain ($ S_{21} ^2$) | dB | 20 | 21.5 | | 0.2 |
| ΔG _p | Power Gain Flatness, f = 0.1 ~ 2.5 GHz f = 0.1 ~ 3.5 GHz | dB | | 1.0 1.3 | | |
| NF ^[1] | Noise Figure | dB | | 3.7 | 4 | 0.12 |
| P1dB ^[1] | Output Power at 1dB Gain Compression | dBm | | 1.8 | | 0.13 |
| OIP3 ^[1] | Output Third Order Intercept Point | dBm | | 11.4 | | 0.24 |
| VSWR _{in} ^[1] | Input VSWR | | | 1.2 | | |
| VSWR _{out} ^[1] | Output VSWR | | | 1.2 | | |
| I _{cc} ^[1] | Device Current | mA | | 18 | 28 | 0.3 |
| t _d ^[1] | Group Delay | ps | | 140 | | |

Notes:

1. Measurements taken on 50Ω test board shown on Figure 1. Excess circuit losses had been de-embedded from actual measurements. Standard deviation and typical data based on at least 500 parts sample size from 6 wafer lots. Future wafers allocated to this product may have nominal values anywhere within the upper and lower spec limits.

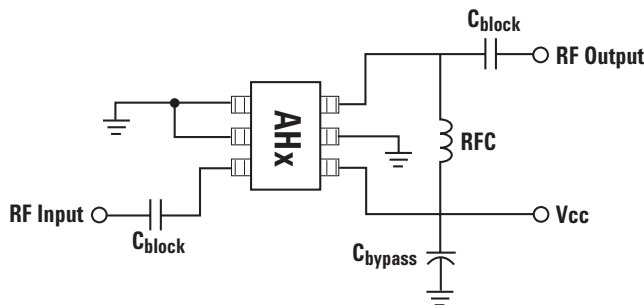


Figure 1. ABA-51563 Production Test Circuit.

ABA-51563 Typical Performance

$T_c = +25^\circ\text{C}$, $Z_o = 50\Omega$, $V_{cc} = 5\text{V}$ unless stated otherwise.

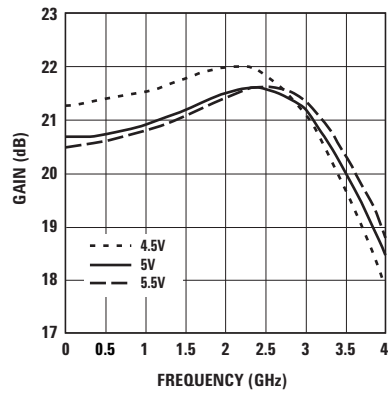


Figure 2. Gain vs. Frequency and Voltage.

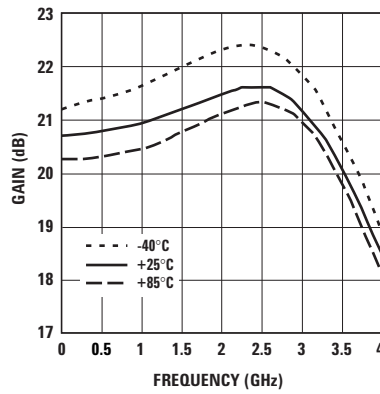


Figure 3. Gain vs. Frequency and Temperature.

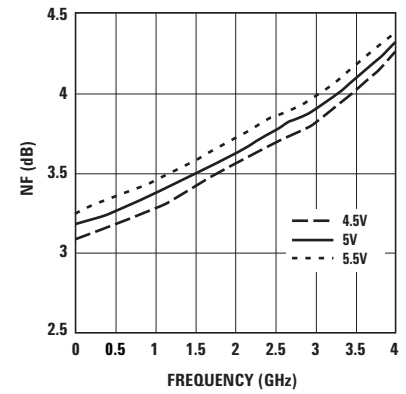


Figure 4. Noise Figure vs. Frequency and Voltage.

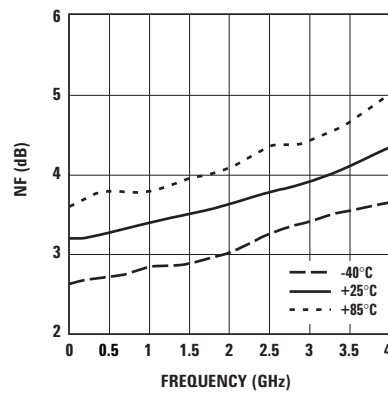


Figure 5. Noise Figure vs. Frequency and Temperature.

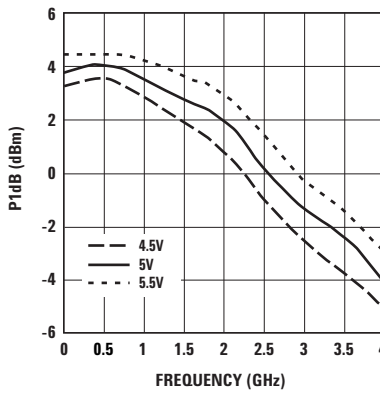


Figure 6. Output Power for 1 dB Gain Compression vs. Frequency and Voltage.

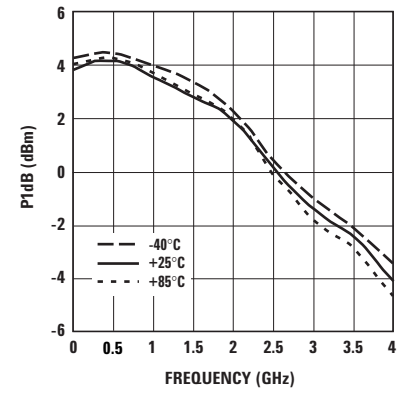


Figure 7. Output Power for 1 dB Gain Compression vs. Frequency and Temperature.

ABA-51563 Typical Performance, continued

$T_c = +25^\circ\text{C}$, $Z_o = 50\Omega$, $V_{cc} = 5\text{V}$ unless stated otherwise.

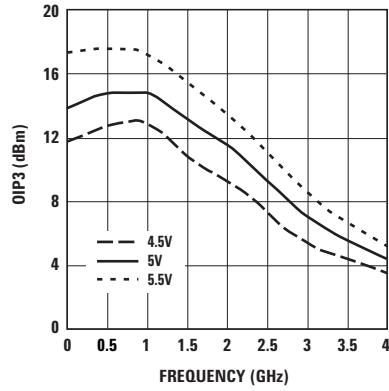


Figure 8. Output IP3 vs. Frequency and Voltage.

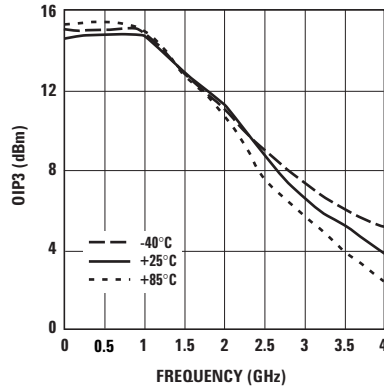


Figure 9. Output IP3 vs. Frequency and Temperature.

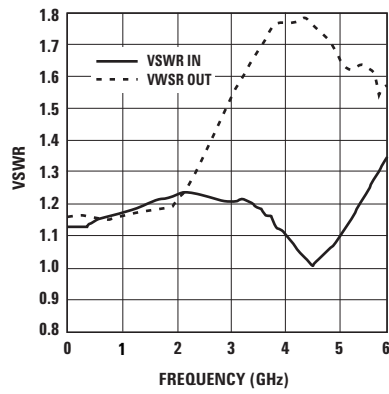


Figure 10. Input and Output VSWR vs. Frequency.

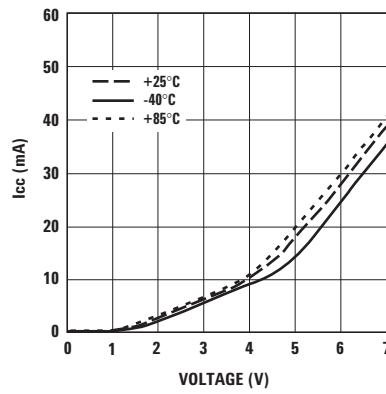


Figure 11. Supply Current vs. Voltage and Temperature.

ABA-51563 Typical Scattering Parameters

$T_C = +25^\circ\text{C}$, $V_{CC} = 5\text{V}$, $Z_0 = 50\ \Omega$, unless stated otherwise

| Freq (GHz) | S ₁₁ Mag. | S ₁₁ Ang. | S ₂₁ dB | S ₂₁ Mag. | S ₂₁ Ang. | S ₁₂ dB | S ₁₂ Mag. | S ₁₂ Ang. | S ₂₂ Mag. | S ₂₂ Ang. | K Factor |
|---------------|-------------------------|-------------------------|-----------------------|-------------------------|-------------------------|-----------------------|-------------------------|-------------------------|-------------------------|-------------------------|-------------|
| 0.05 | 0.06 | 175.8 | 20.8 | 10.93 | -2.3 | -27.3 | 0.04 | -0.8 | 0.08 | -2.3 | 1.294 |
| 0.10 | 0.06 | 174.1 | 20.7 | 10.88 | -4.4 | -27.3 | 0.04 | -1.4 | 0.08 | -6.0 | 1.297 |
| 0.20 | 0.06 | 170.4 | 20.8 | 10.93 | -8.6 | -27.5 | 0.04 | -2.5 | 0.07 | -11.5 | 1.313 |
| 0.30 | 0.06 | 166.0 | 20.8 | 10.93 | -12.8 | -27.5 | 0.04 | -3.3 | 0.07 | -15.1 | 1.313 |
| 0.40 | 0.06 | 160.6 | 20.8 | 10.97 | -17.1 | -27.7 | 0.04 | -3.8 | 0.07 | -17.7 | 1.331 |
| 0.50 | 0.07 | 161.9 | 20.8 | 10.97 | -21.4 | -27.7 | 0.04 | -4.1 | 0.07 | -17.7 | 1.330 |
| 0.60 | 0.07 | 160.0 | 20.8 | 10.99 | -25.6 | -28.0 | 0.04 | -4.6 | 0.07 | -17.8 | 1.351 |
| 0.70 | 0.07 | 155.8 | 20.9 | 11.04 | -30.0 | -28.0 | 0.04 | -4.8 | 0.07 | -18.9 | 1.346 |
| 0.80 | 0.08 | 153.5 | 20.9 | 11.10 | -34.2 | -28.2 | 0.04 | -5.0 | 0.07 | -18.5 | 1.365 |
| 0.90 | 0.08 | 150.4 | 20.9 | 11.13 | -38.6 | -28.2 | 0.04 | -4.9 | 0.07 | -14.7 | 1.361 |
| 1.00 | 0.08 | 148.0 | 21.0 | 11.20 | -43.0 | -28.4 | 0.04 | -4.9 | 0.08 | -9.9 | 1.380 |
| 1.20 | 0.08 | 132.5 | 21.1 | 11.35 | -52.0 | -28.6 | 0.04 | -4.4 | 0.08 | 11.6 | 1.391 |
| 1.40 | 0.09 | 118.9 | 21.2 | 11.51 | -61.1 | -28.9 | 0.04 | -3.8 | 0.08 | 26.1 | 1.403 |
| 1.60 | 0.09 | 102.9 | 21.4 | 11.69 | -70.7 | -28.9 | 0.04 | -2.7 | 0.08 | 37.7 | 1.386 |
| 1.80 | 0.10 | 86.5 | 21.5 | 11.85 | -80.6 | -29.1 | 0.04 | -1.3 | 0.09 | 44.3 | 1.399 |
| 2.00 | 0.10 | 69.6 | 21.5 | 11.94 | -90.7 | -29.1 | 0.04 | 0.3 | 0.10 | 47.9 | 1.391 |
| 2.20 | 0.11 | 50.6 | 21.6 | 12.04 | -101.2 | -29.1 | 0.04 | 1.9 | 0.11 | 45.1 | 1.382 |
| 2.40 | 0.10 | 38.4 | 21.7 | 12.15 | -112.1 | -29.1 | 0.04 | 3.0 | 0.13 | 41.1 | 1.369 |
| 2.60 | 0.10 | 30.1 | 21.7 | 12.14 | -123.5 | -28.9 | 0.04 | 4.3 | 0.16 | 36.7 | 1.339 |
| 2.80 | 0.10 | 17.8 | 21.6 | 12.00 | -135.3 | -28.9 | 0.04 | 5.7 | 0.19 | 31.6 | 1.341 |
| 3.00 | 0.09 | 10.2 | 21.4 | 11.70 | -147.3 | -28.9 | 0.04 | 7.4 | 0.21 | 26.7 | 1.354 |
| 3.20 | 0.10 | -1.1 | 21.0 | 11.27 | -158.9 | -28.6 | 0.04 | 9.8 | 0.24 | 21.4 | 1.352 |
| 3.40 | 0.09 | -15.7 | 20.6 | 10.73 | -170.5 | -28.2 | 0.04 | 10.8 | 0.25 | 14.4 | 1.343 |
| 3.50 | 0.08 | -20.5 | 20.4 | 10.45 | -176.2 | -28.0 | 0.04 | 11.4 | 0.26 | 11.2 | 1.337 |
| 4.00 | 0.05 | -52.8 | 18.9 | 8.86 | 157.4 | -27.1 | 0.04 | 12.4 | 0.27 | -4.6 | 1.389 |
| 4.50 | 0.00 | -179.7 | 17.4 | 7.40 | 133.1 | -26.2 | 0.05 | 12.3 | 0.27 | -18.4 | 1.457 |
| 5.00 | 0.04 | 127.8 | 15.6 | 6.06 | 112.1 | -25.2 | 0.06 | 11.0 | 0.24 | -32.2 | 1.568 |
| 5.50 | 0.10 | 114.7 | 14.1 | 5.09 | 92.7 | -24.0 | 0.06 | 7.2 | 0.24 | -47.4 | 1.597 |
| 6.00 | 0.16 | 105.3 | 12.7 | 4.30 | 75.7 | -23.0 | 0.07 | 1.9 | 0.20 | -62.0 | 1.657 |

Device Models

Refer to Agilent's web site
www.agilent.com/view/rf

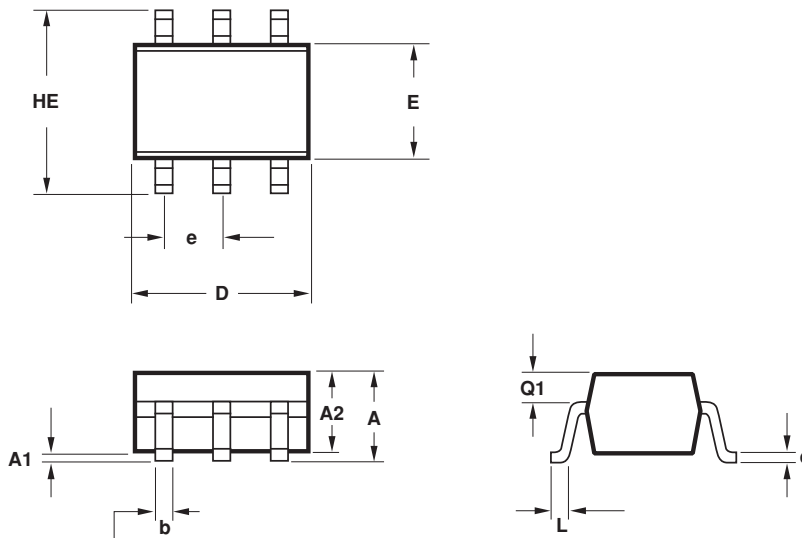
Ordering Information

| Part Number | Devices per Container | Container |
|----------------|-----------------------|----------------|
| ABA-51563-TR1 | 3000 | 7" reel |
| ABA-51563-TR2 | 10000 | 13" reel |
| ABA-51563-BLK | 100 | antistatic bag |
| ABA-51563-TR1G | 3000 | 7" reel |
| ABA-51563-TR2G | 10000 | 13" reel |
| ABA-51563-BLKG | 100 | antistatic bag |

Note: For lead-free option, the part number will have the character "G" at the end.

Package Dimensions

Outline 63 (SOT-363/SC-70)

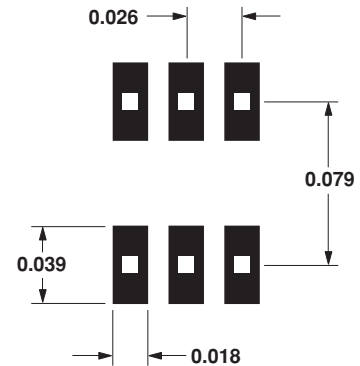


| SYMBOL | DIMENSIONS (mm) | |
|--------|-----------------|------|
| | MIN. | MAX. |
| E | 1.15 | 1.35 |
| D | 1.80 | 2.25 |
| HE | 1.80 | 2.40 |
| A | 0.80 | 1.10 |
| A2 | 0.80 | 1.00 |
| A1 | 0.00 | 0.10 |
| Q1 | 0.10 | 0.40 |
| e | 0.650 BCS | |
| b | 0.15 | 0.30 |
| c | 0.10 | 0.20 |
| L | 0.10 | 0.30 |

NOTES:

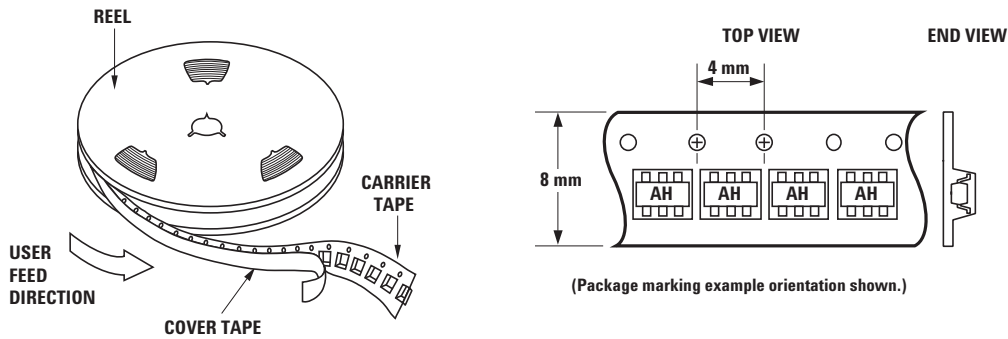
1. All dimensions are in mm.
2. Dimensions are inclusive of plating.
3. Dimensions are exclusive of mold flash & metal burr.
4. All specifications comply to EIAJ SC70.
5. Die is facing up for mold and facing down for trim/form, ie: reverse trim/form.
6. Package surface to be mirror finish.

Recommended PCB Pad Layout for Agilent's SC70 6L/SOT-363 Products

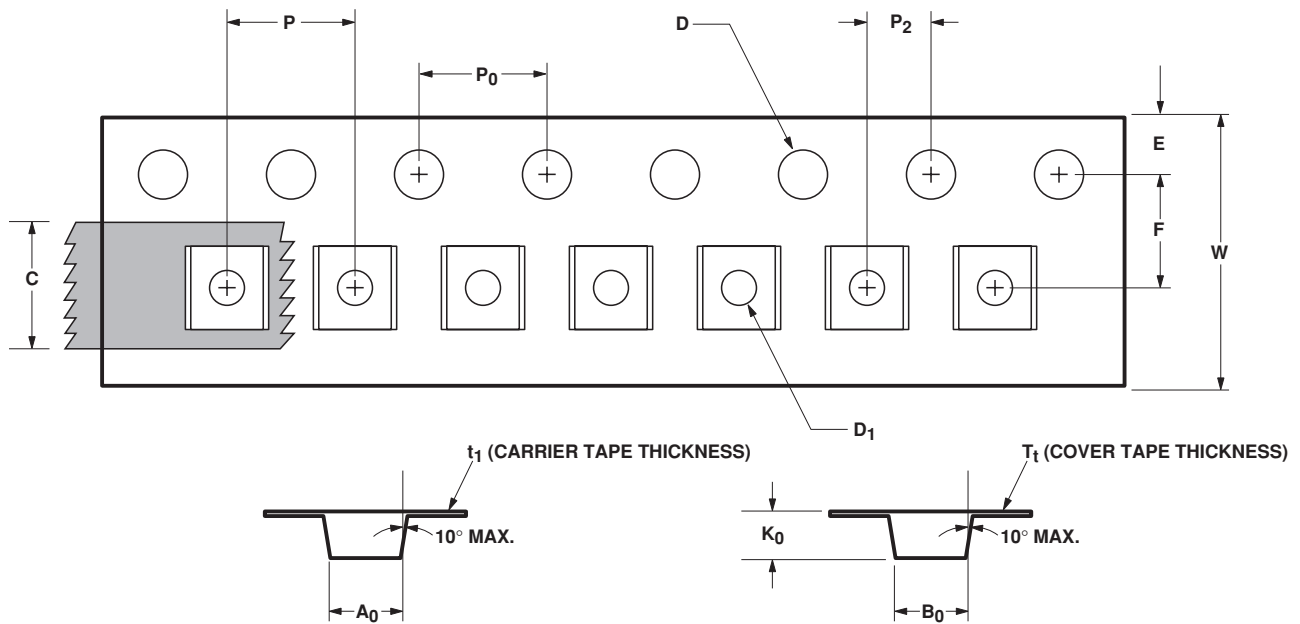


Dimensions in inches.

Device Orientation



Tape Dimensions and Product Orientation for Outline 63



| DESCRIPTION | | SYMBOL | SIZE (mm) | SIZE (INCHES) |
|--------------|--|----------------|--------------------|-----------------|
| CAVITY | LENGTH | A ₀ | 2.40 ± 0.10 | 0.094 ± 0.004 |
| | WIDTH | B ₀ | 2.40 ± 0.10 | 0.094 ± 0.004 |
| | DEPTH | K ₀ | 1.20 ± 0.10 | 0.047 ± 0.004 |
| | PITCH | P | 4.00 ± 0.10 | 0.157 ± 0.004 |
| | BOTTOM HOLE DIAMETER | D ₁ | 1.00 ± 0.25 | 0.039 ± 0.010 |
| PERFORATION | DIAMETER | D | 1.50 ± 0.10 | 0.061 ± 0.002 |
| | PITCH | P ₀ | 4.00 ± 0.10 | 0.157 ± 0.004 |
| | POSITION | E | 1.75 ± 0.10 | 0.069 ± 0.004 |
| CARRIER TAPE | WIDTH | W | 8.00 + 0.30 - 0.10 | 0.315 ± 0.012 |
| | THICKNESS | t ₁ | 0.254 ± 0.02 | 0.0100 ± 0.0008 |
| COVER TAPE | WIDTH | C | 5.40 ± 0.10 | 0.205 ± 0.004 |
| | TAPE THICKNESS | T _t | 0.062 ± 0.001 | 0.0025 ± 0.0004 |
| DISTANCE | CAVITY TO PERFORATION (WIDTH DIRECTION) | F | 3.50 ± 0.05 | 0.138 ± 0.002 |
| | CAVITY TO PERFORATION (LENGTH DIRECTION) | P ₂ | 2.00 ± 0.05 | 0.079 ± 0.002 |

www.agilent.com/semiconductors

For product information and a complete list of distributors, please go to our web site.

For technical assistance call:

Americas/Canada: +1 (800) 235-0312 or
(916) 788-6763

Europe: +49 (0) 6441 92460

China: 10800 650 0017

Hong Kong: (65) 6756 2394

India, Australia, New Zealand: (65) 6755 1939

Japan: (+81 3) 3335-8152(Domestic/International), or
0120-61-1280(Domestic Only)

Korea: (65) 6755 1989

Singapore, Malaysia, Vietnam, Thailand, Philippines,
Indonesia: (65) 6755 2044

Taiwan: (65) 6755 1843

Data subject to change.

Copyright © 2004 Agilent Technologies, Inc.

Obsoletes 5988-9178EN

December 4, 2004

5989-1970EN



Agilent Technologies