

ICs for Audio Common Use

Panasonic

AN360

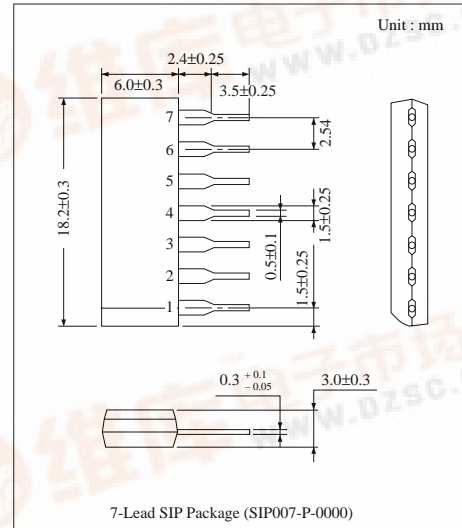
Low Noise Pre-Amplifier Circuit

■ Overview

The AN360 is a low noise high gain integrated circuit designed for equalizer amp. of cassette car stereo and general purpose audio pre-amplifier.

■ Features

- Because of external initial stage emitter resistor, feedback voltage gain is determined only by the external resistance. This assures better temperature characteristics.
- 7-lead single-in-line plastic package



■ Pin Descriptions

Pin No.	Pin Name
1	Collector
2	Input
3	Feedback
4	GND
5	Decoupling
6	Output
7	V _{CC}

■ Schematic Diagram

