

AN6882

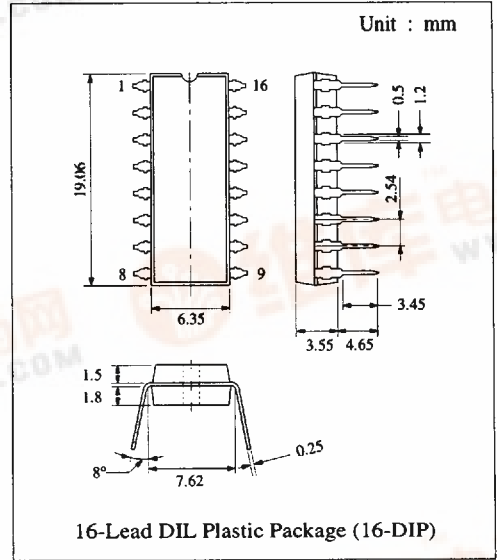
7-Dot LED Driver Circuit

■ Description

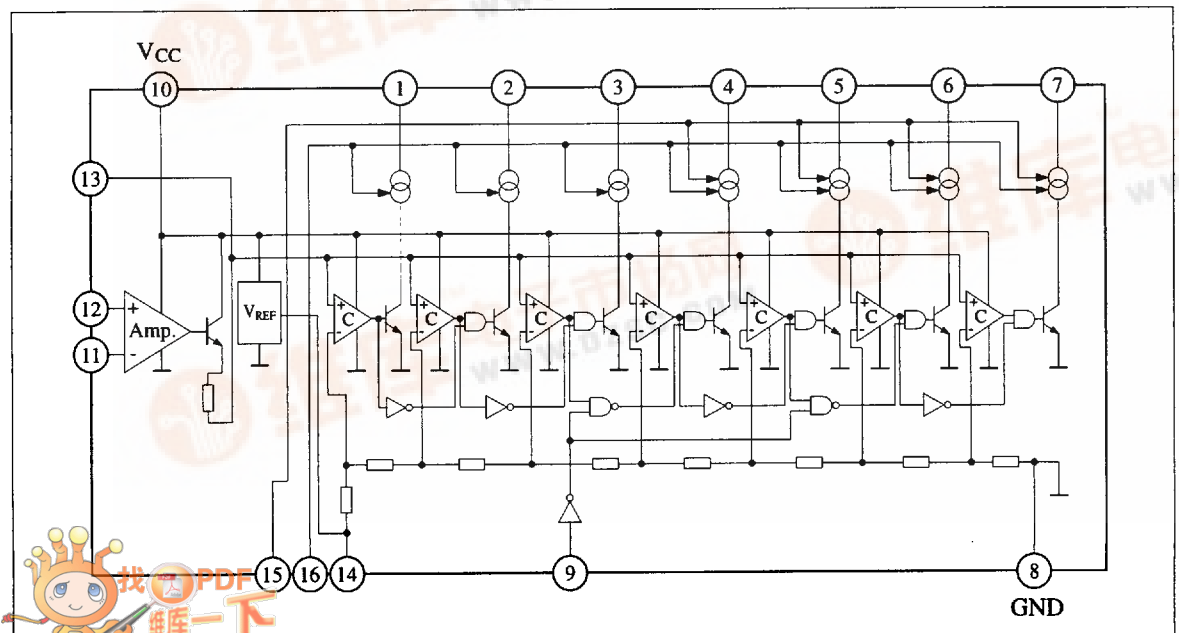
The AN6882 is a monolithic integrated circuit driving 7-LED and is capable of logarithmic dot or bar display for input signal. It incorporates rectification amp. which is capable of gain adjustment by external resistance. Because the output is the constant current pull-in type, the constant current value can be variable by changing external resistance.

■ Features

- Wide range of operating voltage:
 $V_{CC(opr.)} = 6.2V \sim 16V$
- Wide range of constant current: $0mA \sim 20mA$
- Power consumption can be reduced due to series connection of LEDs
- 7-LED bar or dot graph display drive



■ Block Diagram



AN6882

■ Absolute Maximum Ratings (Ta=25°C)

Item		Symbol	Rating		Unit
Voltage	Supply Voltage	V_{CC}	18		V
	Circuit Voltage	V_{13}	7.5		V
	Op. Amp. Input Voltage	V_{in}	-0.5	V_{CC}	V
	LED Output Pin Voltage	$V_{OUT(D)}$	V_{CC}		V
Current	Supply Current	I_{CC}	15		mA
	LED Output Pin Current	$I_{OUT(D)}$	30		mA
	Ref. Voltage Output Current	I_{REF}	10		mA
Power Dissipation (Ta ≤ 75°C)		P_D	530		mW
Operating Ambient Temperature		T_{opr}	-30 ~ +75		°C
Storage Temperature		T_{stg}	-55 ~ +150		°C

Operating Supply Voltage Range: $V_{CC} = 6.2V \sim 16.0V$

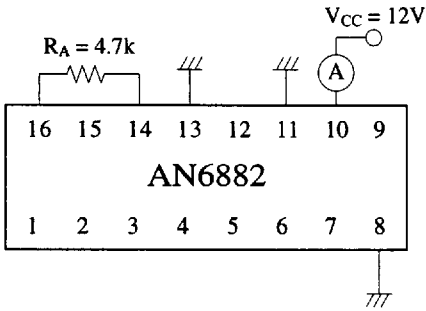
■ Electrical Characteristics ($V_{CC}=12V$, Ta=25°C)

Item	Symbol	Test Circuit	Condition	min.	typ.	max.	Unit
Supply Current	I_{CC}	1	$V_{11} = V_{13} = 0V$, $R_A = 4.7k\Omega$		5	10	mA
Input Bias Current	I_{Bias13}	2	$V_{CC} = 16V$, $V_{11} = 0V$, $V_{12} = 10V$	-12			μA
	I_{Bias11}	3	$V_{CC} = 16V$, $V_{11} = 0V$, $V_{12} = 10V$	-3			μA
	I_{Bias12}	4	$V_{CC} = 16V$, $V_{11} = 10V$, $V_{12} = 0V$	-3			μA
Output Offset Voltage	$V_{(Offset)13}$	5	$V_{11} = 0V$, $V_G = 16.5dB$			75	mV
Reference Voltage	V_{REF}	6		2.4	2.7	2.9	V
D Pin Output Current	I_{D1-7}	7	$V_{11} = 2.7V$, $R_A = 10k\Omega$	4.2	7.1	10	mA
	I_{D4-7}	7	$V_{11} = 2.7V$, $R_A = 10k\Omega$, $R_B = 22k\Omega$	6.3	10.6	15	mA
D Pin Leak Current	I_{D1-7}	7	$V_{13} = 0V$, $R_A = 4.7k\Omega$			20	μA
Voltage Gain	V_G	5	$V_{11} = 500mV$, $R_1 = 18k\Omega$, $R_2 = 100k\Omega$, $R_3 = 15k\Omega$	15.7		19.7	dB
Switching Pin Voltage	V_9	6		0.45		0.8	V

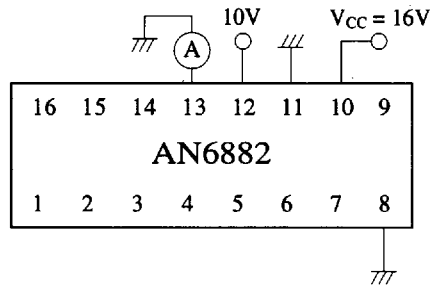
■ Pin

Pin No.	Pin Name	Pin No.	Pin Name
1	LED 1 Output	9	Switching Pin
2	LED 2 Output	10	V_{CC}
3	LED 3 Output	11	Non Inverting Input
4	LED 4 Output	12	Inverting Input
5	LED 5 Output	13	Amp. Output
6	LED 6 Output	14	Reference Voltage
7	LED 7 Output	15	LED Current Setting Input (B)
8	GND	16	LED Current Setting Input (A)

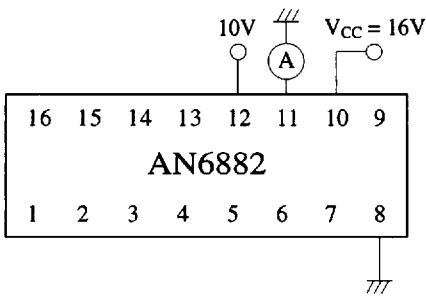
Test Circuit 1 (I_{CC})



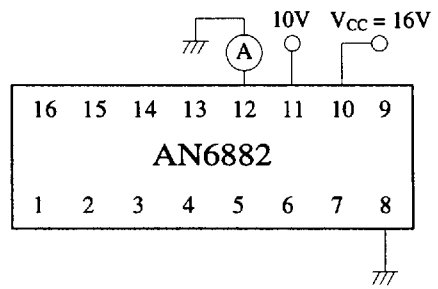
Test Circuit 2 (I_{Bias13})



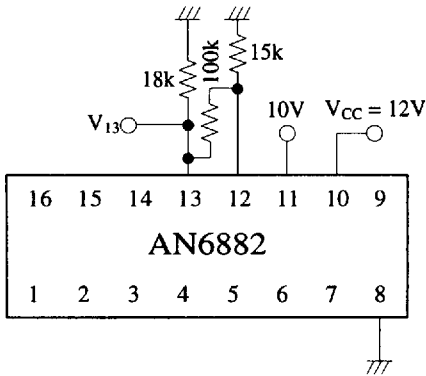
Test Circuit 3 (I_{Bias11})



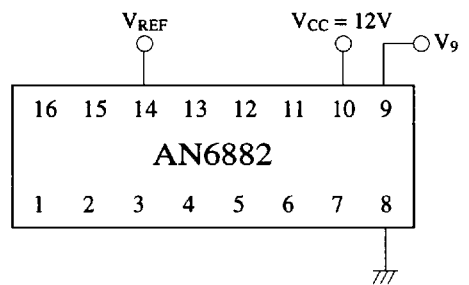
Test Circuit 4 (I_{Bias12})



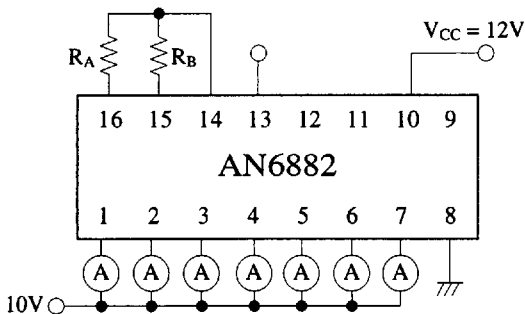
Test Circuit 5 ($V_{O(offset)13}$)



Test Circuit 6 (V_{REF} , V_9)



Test Circuit 7 (I_{D1-7} , I_{D4-7})



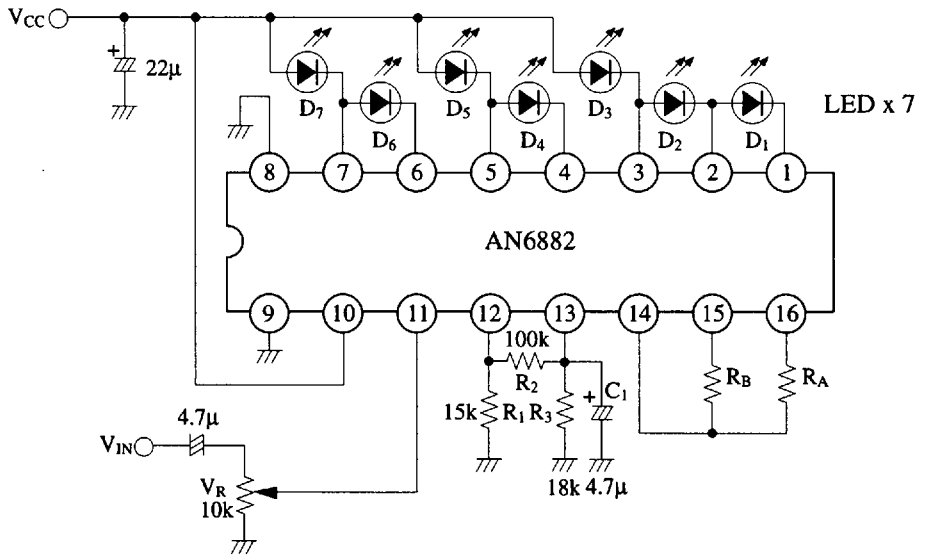
AN6882

LED ON Level Standard Value (dB)

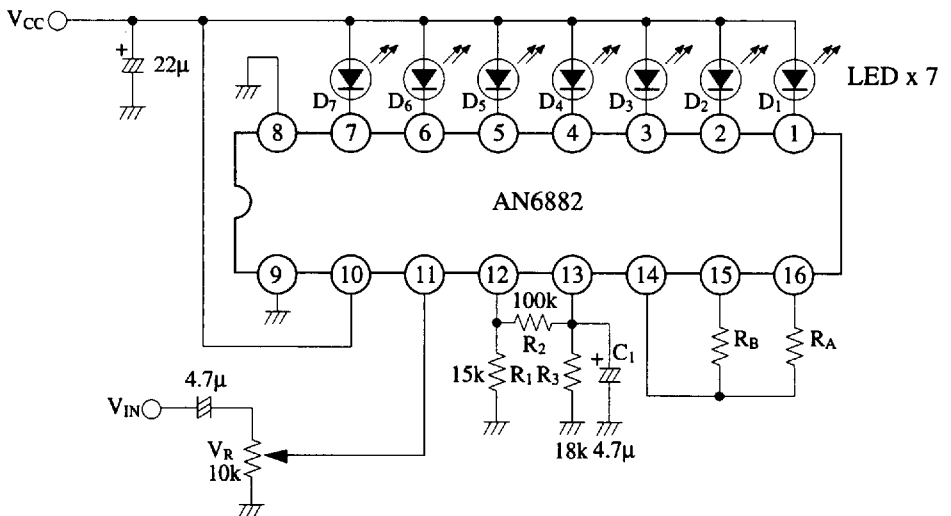
D ₁	D ₂	D ₃	D ₄	D ₅	D ₆	D ₇
6	3	0	-3	-6	-10	-20

Application Circuit

Bar Display



Dot Display



■ Characteristics Curve

