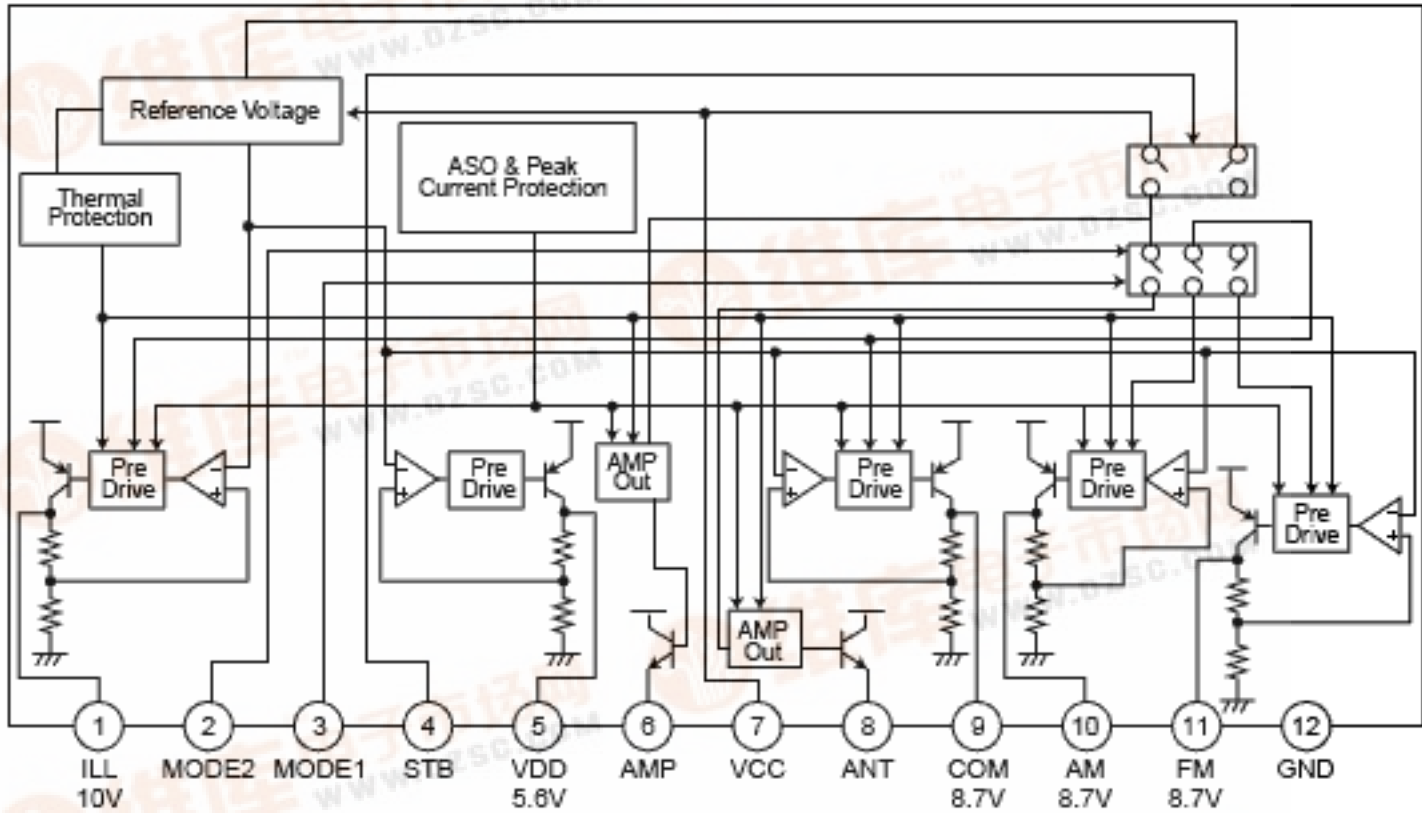


AN80T05LF (IC901) : Regulator

1. Terminal layout & Block diagram



2. Pin function

| Pin No. | Symbol | Function |
|---------|--------|--|
| 1 | ILL | 10V power supply for illumination. |
| 2 | MODE2 | When 5V is input, becomes AM, and the antenna output is turned on. |
| 3 | MODE1 | When 5V is input, becomes AM, and the output of FM is switched. |
| 4 | STB | When 5V is input, outputs to ILL, COM, and AMP. It is 0V usually. |
| 5 | VDD | 5.6V power supply. |
| 6 | AMP | Power supply supply to remote amplifier |
| 7 | VCC | Back up, connects with ACC with it. |
| 8 | ANT | Power supply supply to auto antenna. |
| 9 | COM | 8.7V power supply. |
| 10 | AM | The power supply of 8.7V to AM. |
| 11 | FM | The power supply of 8.7V to FM. |
| 12 | GND | Ground |