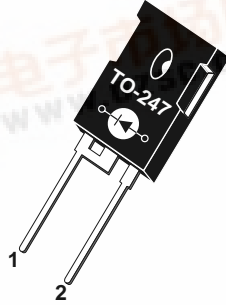


查询APT30DS30B供应商

捷多邦, 专业PCB打样工厂, 24小时加急出货



1 - Cathode  
2 - Anode  
Back of Case - Cathode



**ADVANCED  
POWER  
TECHNOLOGY®**  
APT30DS30B 300V 30A

## HIGH FREQUENCY SOFT RECOVERY RECTIFIER DIODE

### PRODUCT APPLICATIONS

- Anti-Parallel Diode
  - Switchmode Power Supply
  - Inverters
- Free Wheeling Diode
  - Motor Controllers
  - Converters
- Snubber Diode
- Uninterruptible Power Supply (UPS)
- Induction Heating
- High Speed Rectifiers

### PRODUCT FEATURES

- Ultrafast Recovery Times
- Soft Recovery Characteristics
- Popular TO-247 Package
- $t_{rr} < 25\text{ns}$  @ 30 Amps
- High Blocking Voltage
- Low Leakage Current

### PRODUCT BENEFITS

- Low Losses
- Low Noise Switching
- Cooler Operation
- Higher Reliability Systems
- Increased System Power Density

### MAXIMUM RATINGS

All Ratings:  $T_C = 25^\circ\text{C}$  unless otherwise specified.

Symbol	Characteristic / Test Conditions	APT30DS30B	UNIT
$V_R$	Maximum D.C. Reverse Voltage	300	Volts
$V_{RRM}$	Maximum Peak Repetitive Reverse Voltage		
$V_{RWM}$	Maximum Working Peak Reverse Voltage		
$I_F(AV)$	Maximum Average Forward Current ( $T_C = 100^\circ\text{C}$ , Duty Cycle = 0.5)	30	Amps
$I_F(RMS)$	RMS Forward Current	70	
$I_{FSM}$	Non-Repetitive Forward Surge Current ( $T_J = 45^\circ\text{C}$ , 8.3ms)	320	
$T_J, T_{STG}$	Operating and Storage Temperature Range	-55 to 150	$^\circ\text{C}$
$T_L$	Lead Temperature: 0.063" from Case for 10 Sec.	300	

### STATIC ELECTRICAL CHARACTERISTICS

Symbol	Characteristic / Test Conditions	MIN	TYP	MAX	UNIT
$V_F$	Maximum Forward Voltage			2.0	Volts
				$I_F = 30\text{A}$	
				$I_F = 60\text{A}$	
$I_{RM}$	Maximum Reverse Leakage Current			1.75	$\mu\text{A}$
				$V_R = V_R$ Rated	
				$V_R = V_R$ Rated, $T_J = 125^\circ\text{C}$	
$C_T$	Junction Capacitance, $V_R = 150\text{V}$		70		pF
$L_S$	Series Inductance (Lead to Lead 5mm from Base)		10		nH

APT Website - <http://www.advancedpower.com>



USA: 405 S.W. Columbia Street

Bend, Oregon 97702-1035

Phone: (541) 382-8028

FAX: (541) 388-0364

EUROPE: Chemin de Margat

F-33700 Marignac, France

Phone: (33) 5 57 02 15 15

FAX: (33) 5 56 47 03 64

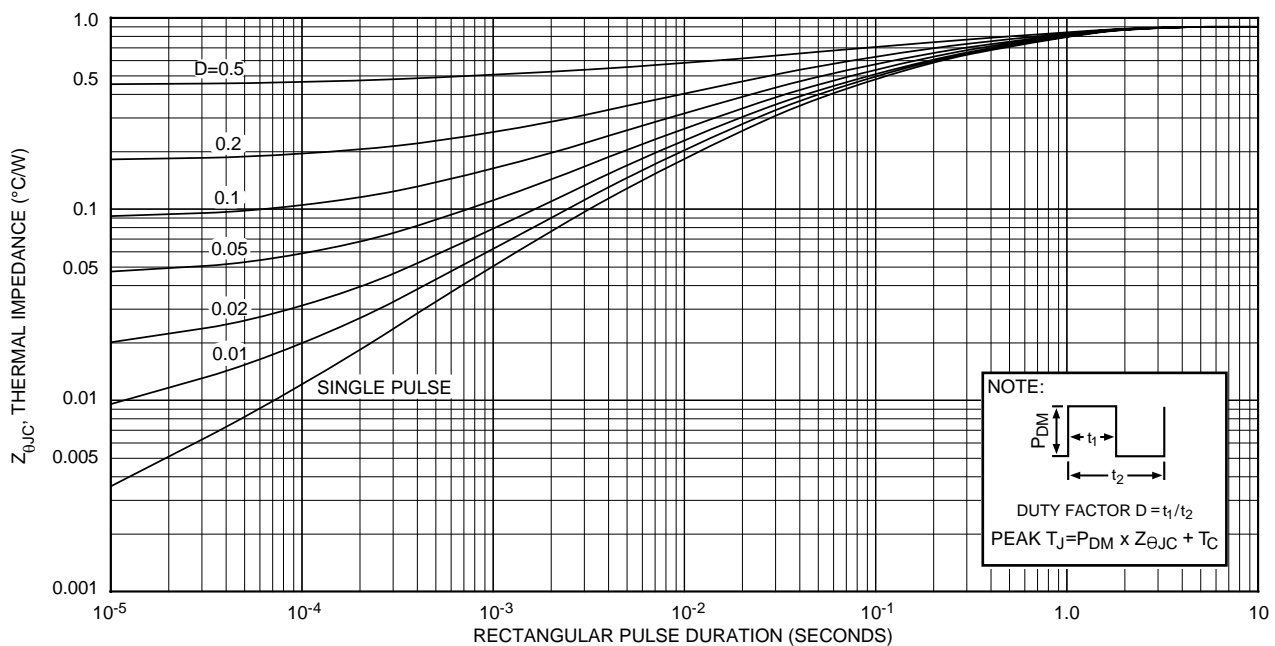
### DYNAMIC CHARACTERISTICS

APT30DS30B

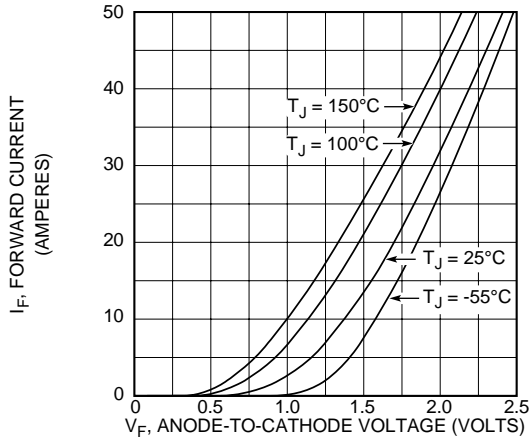
Symbol	Characteristic	MIN	TYP	MAX	UNIT
$t_{rr1}$	Reverse Recovery Time, $I_F = 1.0A$ , $di_F/dt = -15A/\mu s$ , $V_R = 30V$ , $T_J = 25^\circ C$		35	45	ns
$t_{rr2}$	Reverse Recovery Time		20		
$t_{rr3}$	$I_F = 30A$ , $di_F/dt = -500A/\mu s$ , $V_R = 180V$		35		
$t_{fr1}$	Forward Recovery Time		45		
$t_{fr2}$	$I_F = 30A$ , $di_F/dt = 500A/\mu s$ , $V_R = 180V$		50		
$I_{RRM1}$	Reverse Recovery Current		6.5	13.5	Amps
$I_{RRM2}$	$I_F = 30A$ , $di_F/dt = -500A/\mu s$ , $V_R = 180V$		9.2	20	
$Q_{rr1}$	Recovery Charge		75		nC
$Q_{rr2}$	$I_F = 30A$ , $di_F/dt = -500A/\mu s$ , $V_R = 180V$		160		
$V_{fr1}$	Forward Recovery Voltage		20		Volts
$V_{fr2}$	$I_F = 30A$ , $di_F/dt = 500A/\mu s$ , $V_R = 180V$		21		
$diM/dt$	Rate of Fall of Recovery Current		900		A/ $\mu s$
		$I_F = 30A$ , $di_F/dt = -500A/\mu s$ , $V_R = 180V$		2000	

### THERMAL AND MECHANICAL CHARACTERISTICS

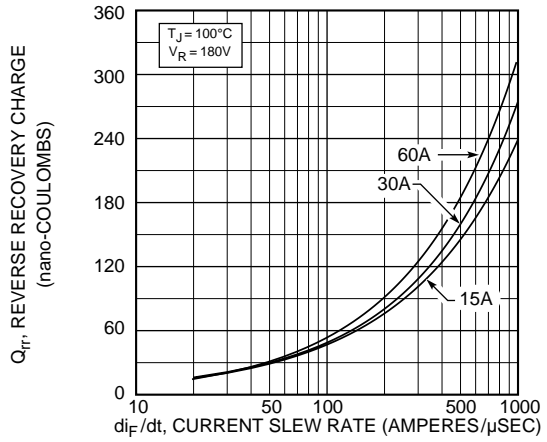
Symbol	Characteristic / Test Conditions	MIN	TYP	MAX	UNIT
$R_{\theta JC}$	Junction-to-Case Thermal Resistance			0.9	$^\circ C/W$
$R_{\theta JA}$	Junction-to-Ambient Thermal Resistance			40	
$W_T$	Package Weight		0.22		oz
			6.1		gm
Torque	Maximum Mounting Torque (Screw Type = 6-32 or 3.5mm Machine)			10	lb•in
				1.1	N•m



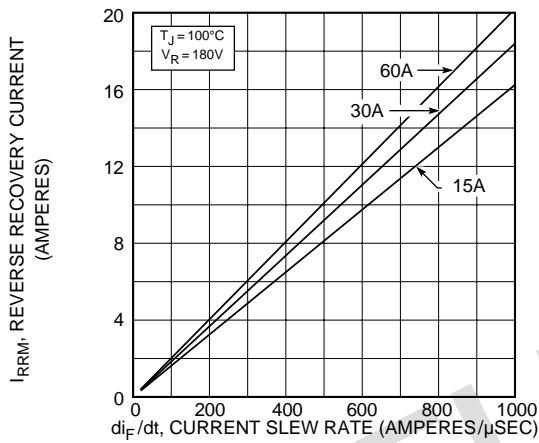
**APT30DS30B**



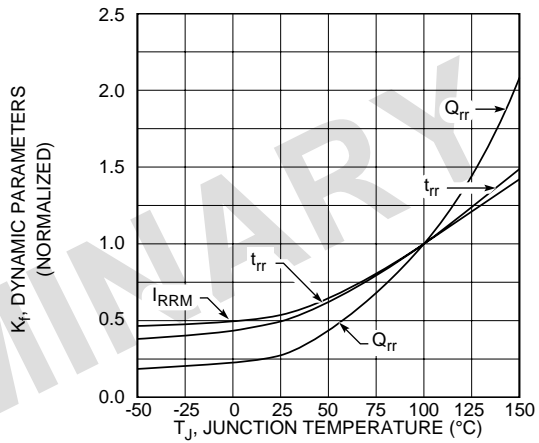
**Figure 2, Forward Voltage Drop vs Forward Current**



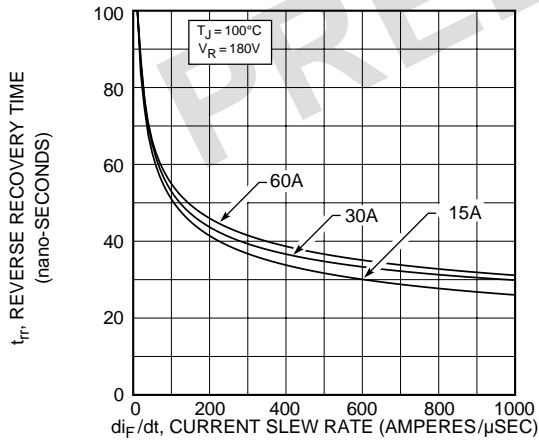
**Figure 3, Reverse Recovery Charge vs Current Slew Rate**



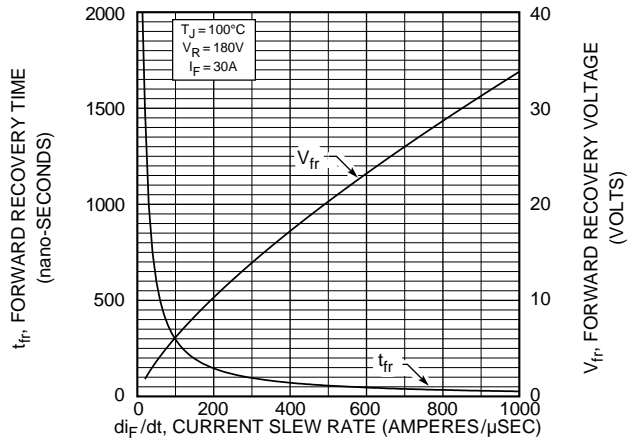
**Figure 4, Reverse Recovery Current vs Current Slew Rate**



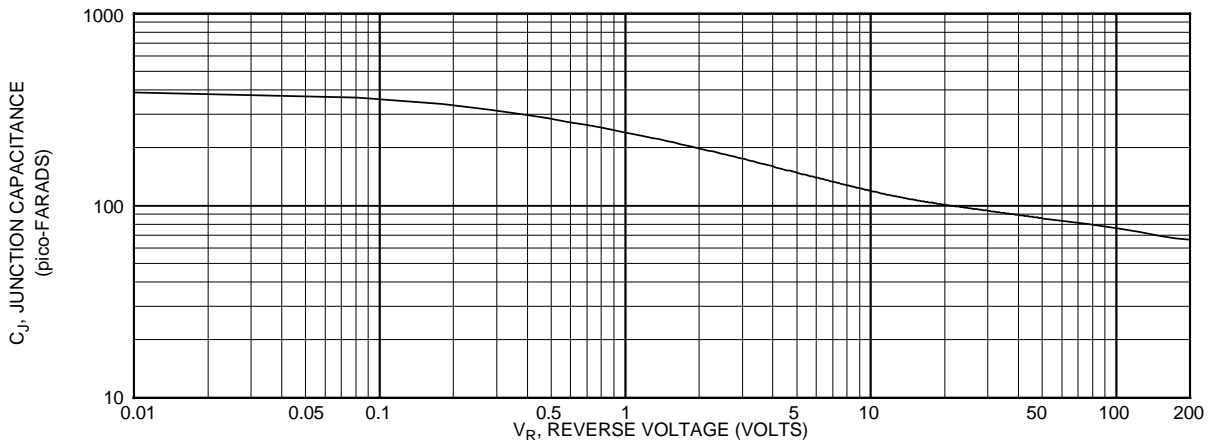
**Figure 5, Dynamic Parameters vs Junction Temperature**



**Figure 6, Reverse Recovery Time vs Current Slew Rate**



**Figure 7, Forward Recovery Voltage/Time vs Current Slew Rate**



**Figure 8, Junction Capacitance vs Reverse Voltage**

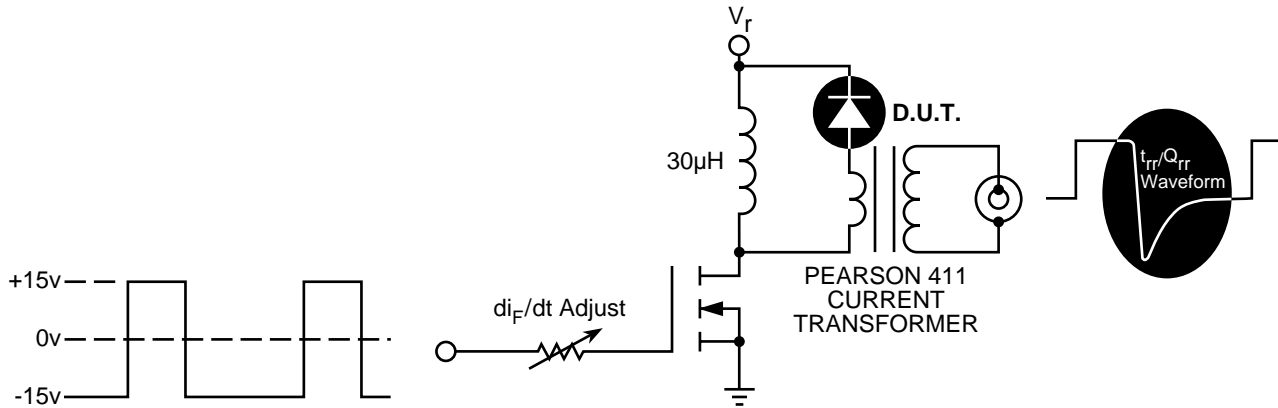


Figure 9, Diode Reverse Recovery Test Circuit and Waveforms

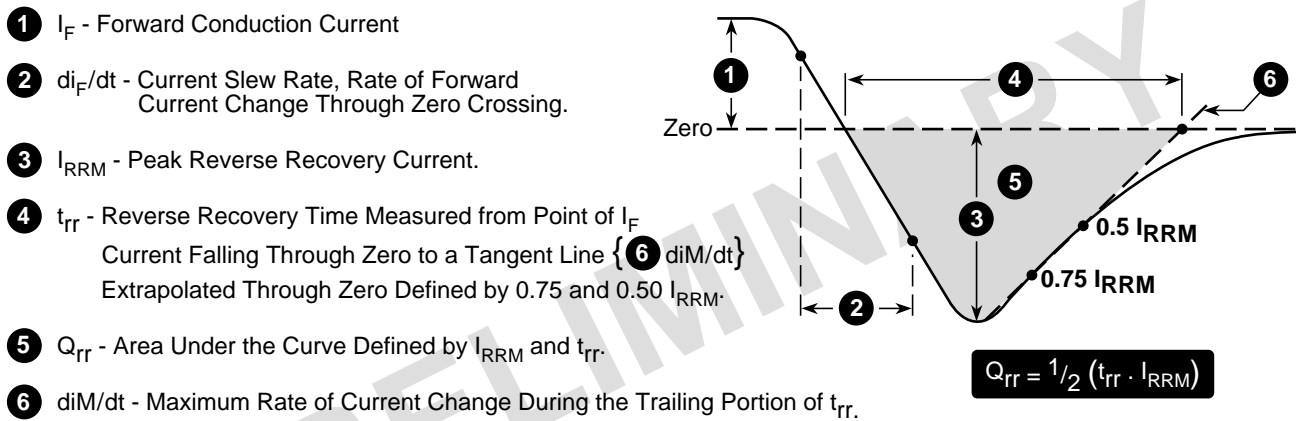
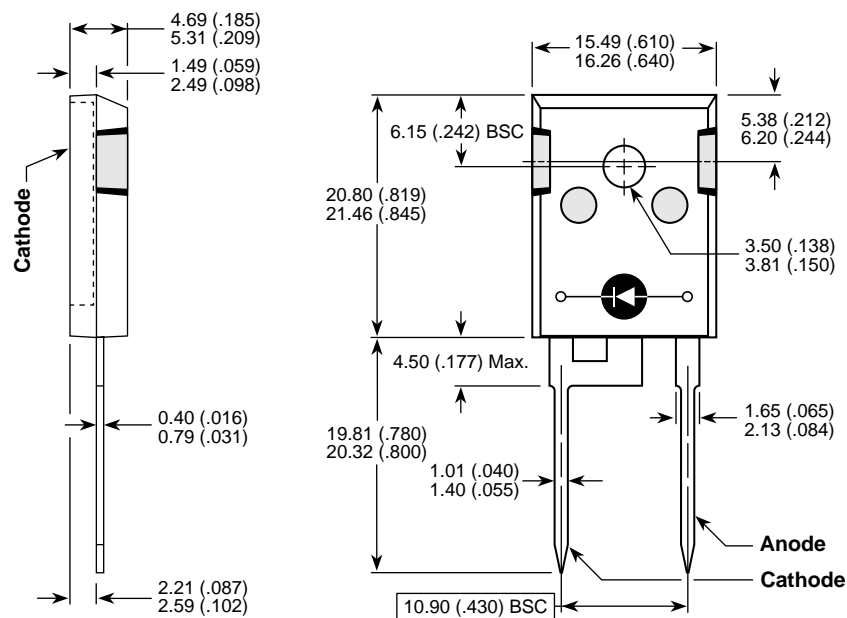


Figure 10, Diode Reverse Recovery Waveform and Definitions

### TO-247 Package Outline



Dimensions in Millimeters and (Inches)

APT Reserves the right to change, without notice, the specifications and information contained herein.

APT's devices are covered by one or more of the following U.S. patents: 4,895,810 5,045,903 5,089,434 5,182,234 5,019,522 5,262,336