

Features

- 2.5 to 15 V supply voltage operating range.
- Low current consumption: 6 mA in operation, 1 μ A or less in stand-by.
- 20 kHz to 1 MHz operation frequency range.
- Provides a fixed output current with minimal supply voltage fluctuations by using an external resistor to set the output current.
- Totem-pole output.
- Built-in soft start circuit.
- Built-in timer-latch short circuit detection and protection circuit (SCP).

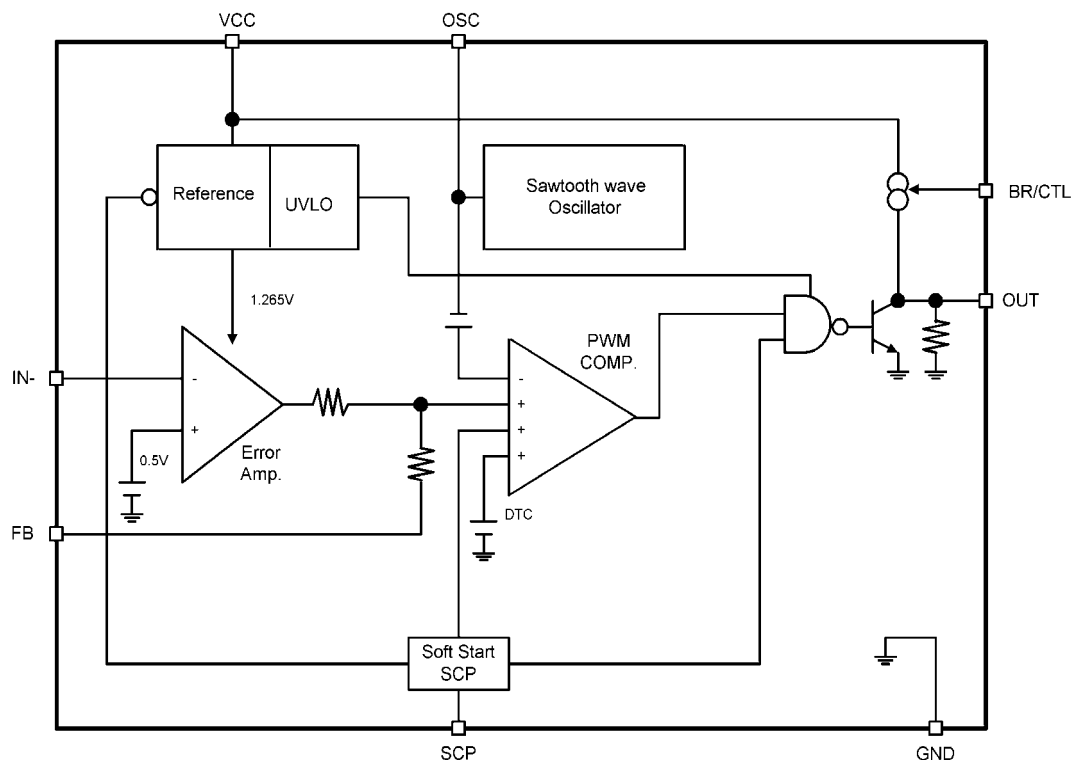
General Description

The AT1380A is a single-channel PWM control IC for DC/DC conversion with soft start function and short circuit detection. Adjustable soft start is programmed with an external capacitor on SCP pin. The AT1380A is ideal for up, down and fly-back conversion.

Applications

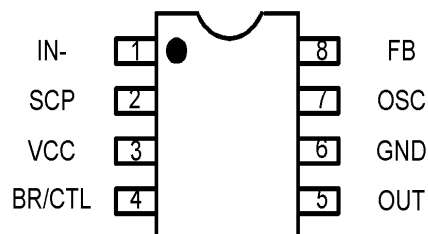
- LCD Displays
- PDAs
- Digital Still Cameras

Block Diagram



Aimtron reserves the right without notice to change this circuitry and specifications.

Pin Configuration



Ordering Information

Part number	Package	Marking
AT1380AS	SOP8	AT1380AS
AT1380AS_PBF	SOP8, Pb-Free	AT1380AS, Date Code with one bottom line
AT1380AS_GRE	SOP8, Green	AT1380AS, Date Code with two bottom line
AT1380AP	TSSOP8	AT1380AP
AT1380AP_PBF	TSSOP8, Pb-Free	AT1380AP, Date Code with one bottom line
AT1380AP_GRE	TSSOP8, Green	AT1380AP, Date Code with two bottom line

Pin Description

Pin No.	Symbol	I/O	Description
1	IN-	I	Error amplifier inverting input
2	SCP	—	Soft start and SCP setting capacitor connection
3	VCC	—	Power supply
4	BR/CTL	I	Output current setting
5	OUT	O	Totem-pole type output
6	GND	—	Ground
7	OSC	—	Capacitor and resistor connection pin for setting the oscillation frequency
8	FB	O	Error amplifier output

Absolute Maximum Ratings

(T_a=+25°C)

Parameter	Symbol	Condition	Rated Value		Unit
			Min.	Max.	
Power supply voltage	V _{CC}	—	—	15	V
Output source current	I _O ⁺	—	—	-50	mA
Output sink current	I _O ⁻	—	—	50	mA
Allowable dissipation	P _D	SOP-8, Ta ≤ +25°C	—	570	mW
	P _D	TSSOP-8, Ta ≤ +25°C	—	430	mW
Operating temperature	T _{OP}	—	-30	+85	°C
Storage temperature	T _{stg}	—	-55	+125	°C
ESD Classification		MIL-STD-883	Class 2		

* : When mounted on a 10 cm square double-sided epoxy board

WARNING: Do not exceed these ratings. IC devices can be permanently damaged by stress (voltage, current, temperature, etc.) in excess of absolute maximum ratings.

Recommended Operating Conditions

(Ta=+25°C)

Parameter	Symbol	Values			Unit
		Min.	Typ.	Max.	
Power supply voltage	V _{CC}	2.5	--	13.5	V
Error amplifier input voltage	V _I	-0.2	--	1.0	V
BR/CTL pin input voltage	V _{BR}	-0.2	--	V _{CC}	V
Output source current	I _O ⁺	-20	--	--	mA
Output sink current	I _O ⁻	--	--	40	mA
SCP pin capacitance	C _{PE}	--	0.1	--	μF
Phase compensation capacitance	C _P	--	0.1	--	μF
Output current setting resistance	R _B	150	390	5000	Ω
Timing resistance	R _T	1.0	3.0	10.0	kΩ
Timing capacitance	C _T	100	270	10000	pF
Oscillation frequency	f _{OSC}	10	500	1000	kHz
Operating temperature	T _{OP}	-30	+25	+85	°C

WARNING: Recommended operating conditions are normal operating ranges for the IC device. All the device's electrical characteristics are warranted for operation within these ranges. Use IC devices only within the recommended operating conditions. Operation outside these ranges may adversely affect the reliability and can result in device failure.

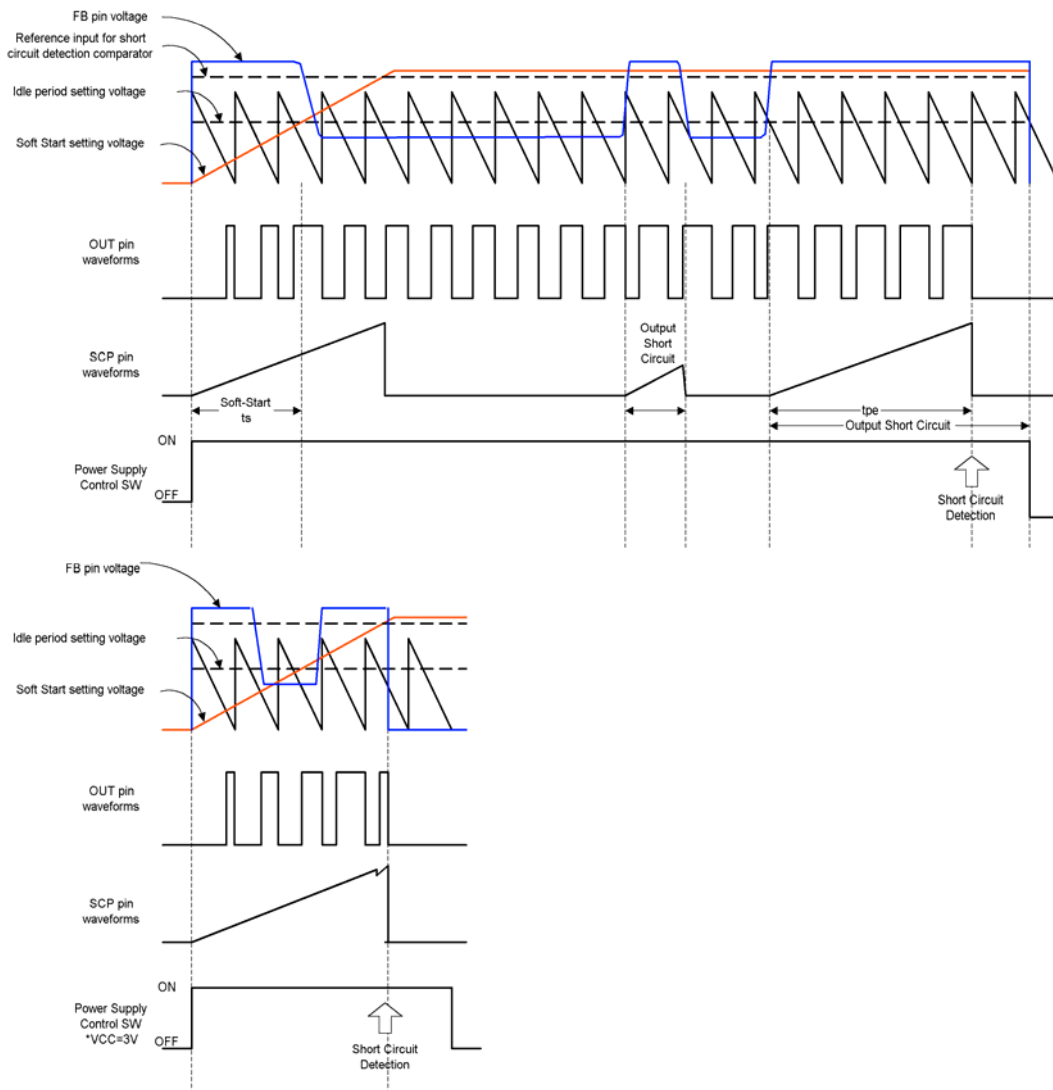
Electrical Characteristics

(V_{CC}=+3.0V, Ta=+25°C)

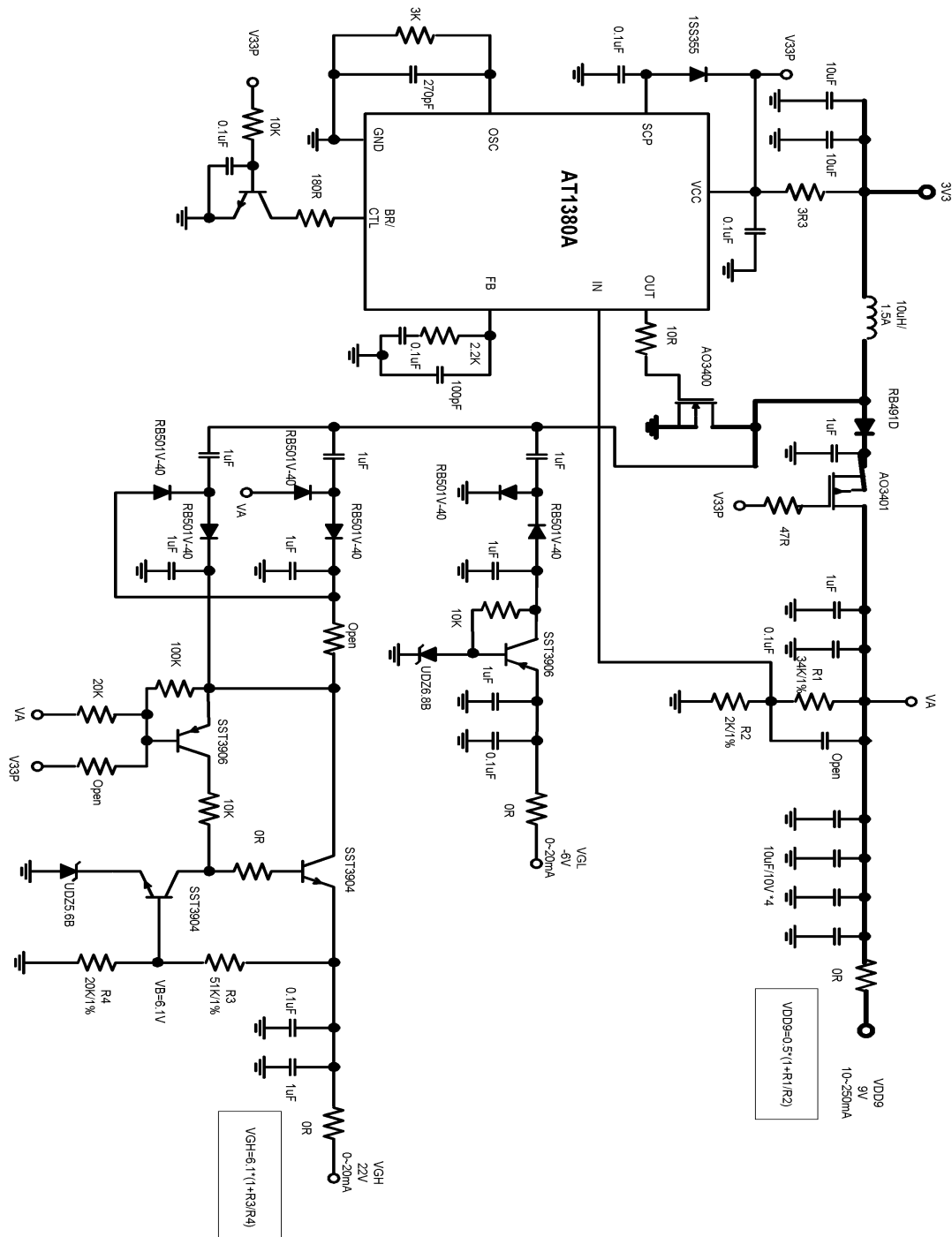
Parameter		Symbol	Condition	Values			Unit
				Min.	Typ.	Max.	
VCC Under voltage Lockout (U.V.L.O.)	Reset voltage for falling Vcc. OUT remains off if Vcc is below this level.	V _R	--	--	1.8	1.9	V
	Startup voltage for rising Vcc.	V _{TH}	--	2.4	2.5	2.6	V
Soft start	Charging current	I _{CS}	V _{SCP} =0V	-1.5	-1.0	-0.7	μA
	Voltage at soft start completion	V _{IS}	--	0.7	0.8	0.9	V
Short circuit detection (S.C.P.)	Charging current	I _{CPC}	V _{SCP} =0V	-1.5	-1.0	-0.7	μA
	Threshold voltage	V _{IPC}	--	0.7	0.8	0.9	V
Sawtooth waveform oscillator (OSC)	Oscillation frequency	f _{OSC}	R _T =3kΩ, C _T =270pF	400	500	600	kHz
	Frequency input Stability	f _{AV}	V _{CC} =2.5V to 13.5V	--	2	10	%
	Frequency variation with temperature	f _{ΔT}	Ta = -30°C to 85°C	--	5	--	%
Error amplifier	Input threshold Voltage	V _T	V _{FB} = 450mV	480	500	520	mV
	V _T input stability	V _{TAV}	V _{CC} =2V to 13.5V	--	5	20	mV
	V _T variation with Temperature	V _{TΔT}	Ta = -30°C to 85°C	--	1	--	%
	Input bias current	I _B	V _{IN} = 0V	-1.0	-0.2	1.0	μA
	Voltage gain	A _V	--	70	100	145	V/V
	Frequency bandwidth	BW	A _V = 0 dB	--	6	--	MHz
	Maximum output voltage range	V _{OM} ⁺	--	0.78	0.87	--	V
		V _{OM} ⁻		--	0.05	0.2	V
	Output source current	I _{OM} ⁺	V _{FB} = 450mV	--	-40	-24	μA
Output sink current	I _{OM} ⁻	--	24	40	--	μA	
Idle period adjustment section	Maximum duty cycle	T _{DUTY}	R _T =3.3kΩ, C _T =270pF f _{OSC} = 500KHz	75	--	85	%
Output section	Output voltage	V _{OH1}	R _B = 390Ω, I _O = -15 mA	1.0	1.2	--	V
		V _{OH2}	R _B = 750Ω, V _{CC} = 3.0V I _O = -10 mA	0.8	1.0	--	V
		V _{OL1}	R _B = 390Ω, I _O = -15 mA	--	0.1	0.2	V
		V _{OL2}	R _B = 750Ω, V _{CC} = 3.0V I _O = -10 mA	--	0.1	0.2	V
	Output source current	I _O ⁺	R _B = 390Ω, V _O = 0.9V	--	-40	-30	mA
	Output sink current	I _O ⁻	R _B = 390Ω, V _O = 0.3V	40	70	--	mA
	Pull down resistance	R _O	--	20	30	40	kΩ

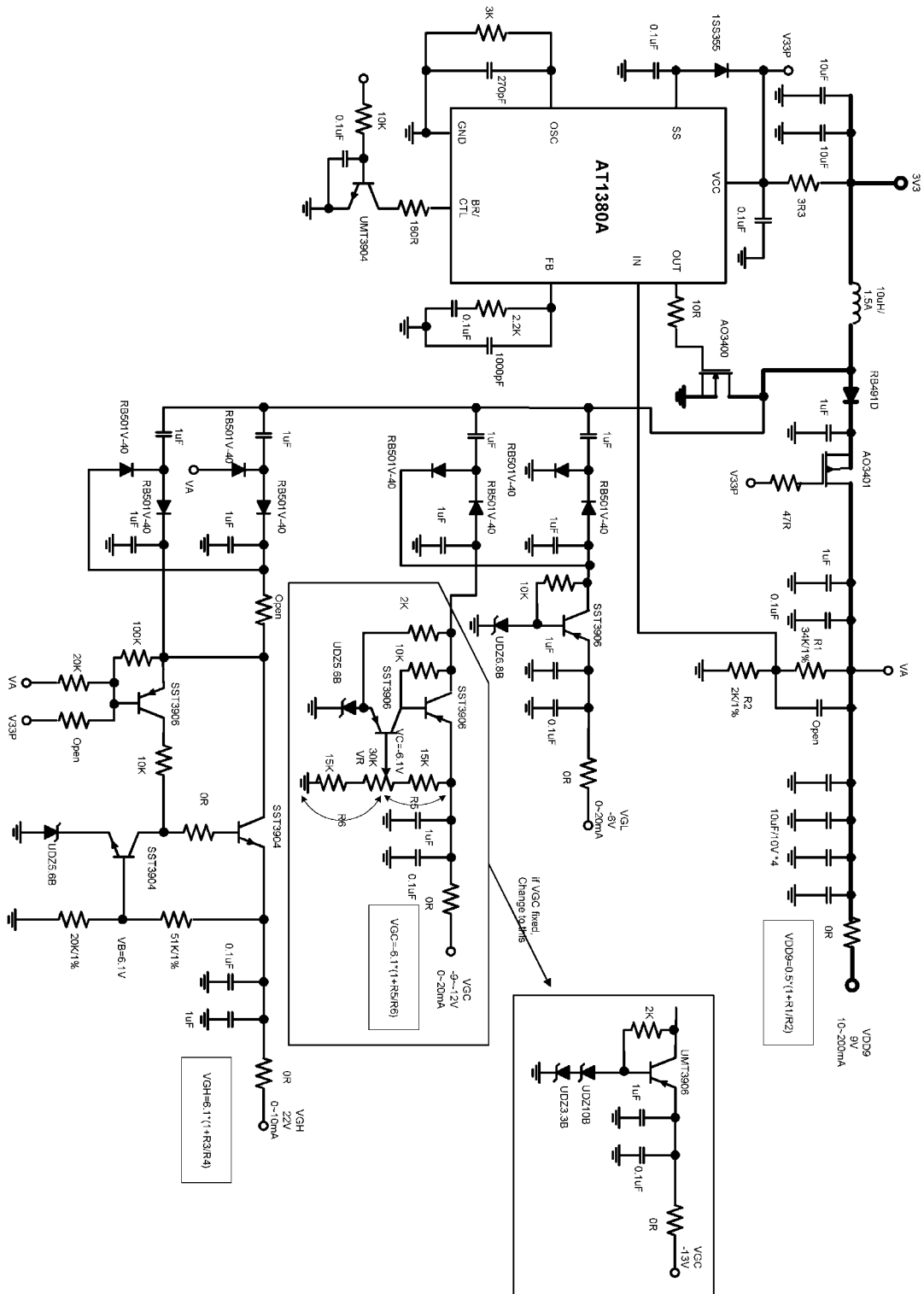
Output current Setting section/ Control section	Pin voltage	V_{BR}	$R_B = 390\Omega$	0.10	0.19	0.25	V
	Input off condition	I_{OFF}	--	-20	--	0	μA
	Input on condition	I_{ON}		--	--	-45	μA
	Pin current range	I_{BR}		-1.8	--	-0.1	m A
Entire device	Stand-by current	I_{CCS}	BR/CTL pin open or V_{CC}	--	--	1	μA
	Average supply current	I_{CC}	$R_B = 390,$ $V_{CC} = 2.5 \sim 13.5V$	--	6	10.0	m A

Timing Chart



Typical Application Schematic





Functional Description

Soft Start SCP

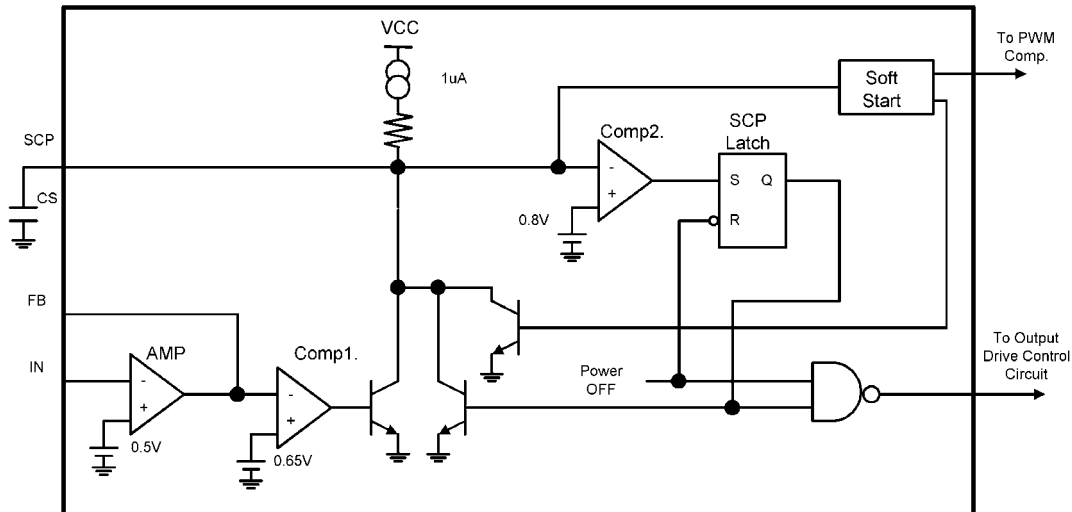


Figure 1. Soft-Start SCP circuit

At power-on, the AT1380A enters the soft-start mode to prevent current spike and overshoot. The capacitor CS is charged from 0V at a constant current of 1µA.

The soft-start time for the duty cycle

$$t_s = 0.8 \times CS(\mu F)$$

When V_{SCP} reaches 0.8V, the AT1380A leaves the soft-start mode to enter the normal mode and enable the SCP function. If the output load conditions change rapidly causing the output to drop suddenly, the external capacitor CS will start to charge because the error amplifier output (FB pin) is fixed at V_{OM+} . When the external capacitor is charged above 0.8V, the output pin is set low. Once the latch circuit has set, the capacitor CS will be discharged to low state and the latch circuit will not reset until power is turned off or the power supply is restarted.

Short-circuit detection time (or full soft-start time) :

$$t_{PE} = 0.8 \times CS(\mu F)$$

Setting Oscillating Frequency

The oscillator circuit generates a triangular sawtooth wave with a peak of 0.8V and a trough of 0.1V using the timing capacitor (CT) and the timing resistor (RT) that are connected to the OSC pin. This oscillator can provide oscillating frequency in the range from 20KHz to 1MHz. The waveform of the OSC pin is shown as Figure 2.

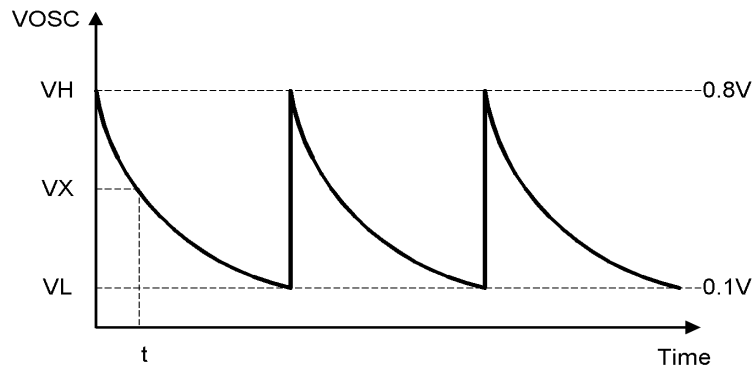


Figure 2 Oscillator Waveform

The cycle (T) can be determined as follows:

$$VX = VH e^{-\frac{t}{CT \times RT}} \quad t = -CT \times RT \times \log_e \left(\frac{VX}{VH} \right)$$

$$T = -CT \times RT \times \log_e (0.1 / 0.8) = 2.1 \times CT \times RT [s]$$

Switching Regulator Function

(1) Reference voltage circuit

A temperature-compensated reference voltage (~1.25V) is generated by the reference voltage circuit from the voltage supplied by the power supply pin (pin 3). The circuit also sets the idle period besides providing the reference voltage for the switching regulator.

(2) Error amplifier

The error amplifier detects the output voltage of the switching regulator and sets the PWM control signal. The voltage gain is fixed. The system is made stable by connecting a phase compensation capacitor to the FB pin (pin 8).

(3) PWM comparator

The voltage comparator includes one inverting and three non-inverting inputs. The comparator is

a voltage to pulse width converter that controls the ON time of the output pulse depending on the level of input voltage. The output level remains high when the sawtooth wave is lower than the error amplifier output voltage, the soft start setting voltage, and the idle period setting voltage.

(4) Output circuit

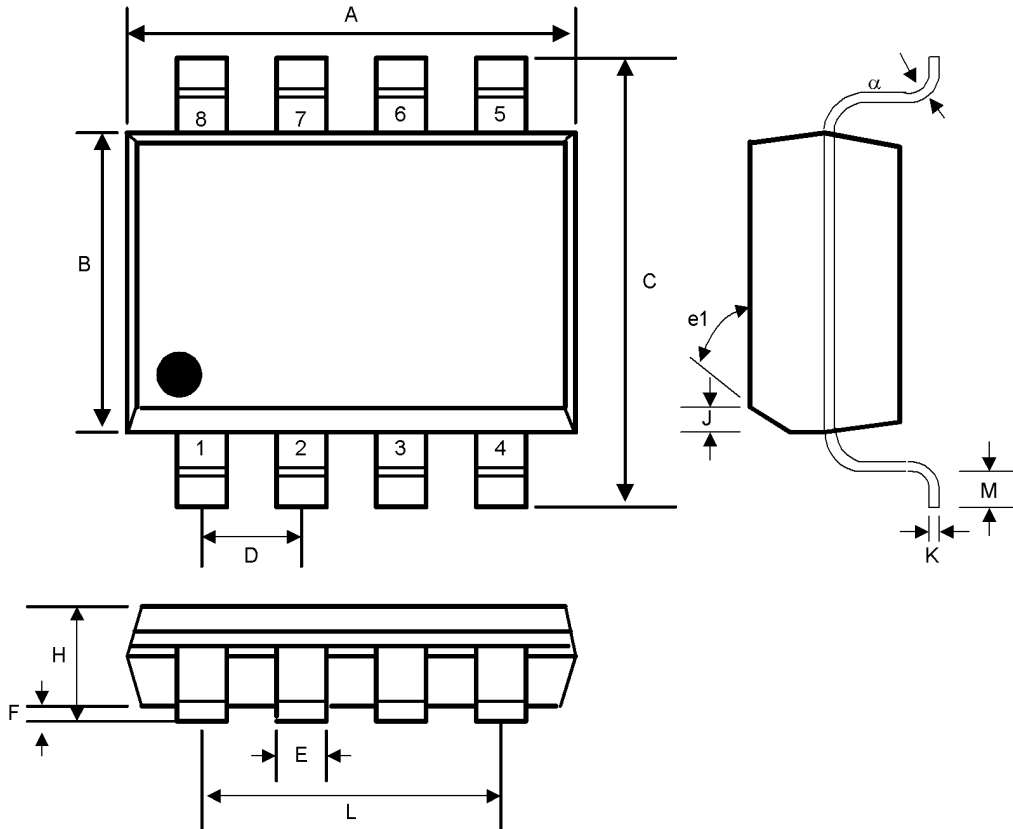
The output circuit can drive an external NPN transistor directly and has a totem pole configuration. The value of the ON/OFF current can be set by a resistor connected to the BR/CTL pin (pin 4). Stand-by mode (supply current $1\mu\text{A}$ or less) can be set by connecting the BR/CTL pin (pin4) to VCC or by making the pin open.

(5) Under-Voltage Lockout (UVLO)

Transients during powering on or instantaneous glitches in the supply voltage can cause the control IC to malfunction and damage the system. To prevent malfunction at low input voltage, the circuit compares the supply voltage to the internal reference voltage to detect a low input voltage. Once detected, the circuit sets the output pin low.

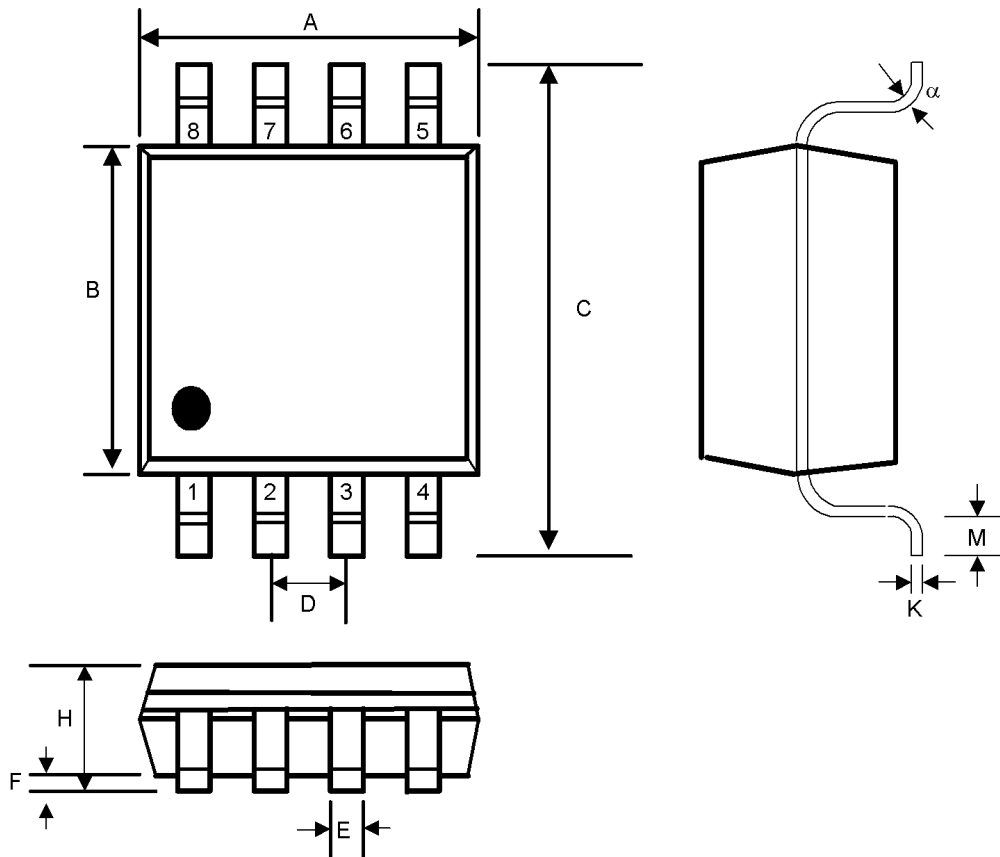
To cancel the status, set V_{CC} below the reset voltage V_R (0.9V) and then set V_{CC} up to the recommended operation range and the latch will be restored to operate normally.

Small Outline 8-pin Plastic SOL



SYMBOL	INCHES		MILLIMETERS		NOTES
	MIN	MAX	MIN	MAX	
A	0.188	0.197	4.80	5.00	-
B	0.149	0.158	3.80	4.00	-
C	0.228	0.244	5.80	6.20	-
D	0.050	BSC	1.27	BSC	-
E	0.013	0.020	0.33	0.51	-
F	0.004	0.010	0.10	0.25	-
H	0.053	0.069	1.35	1.75	-
J	0.011	0.019	0.28	0.48	-
K	0.007	0.010	0.19	0.25	-
M	0.016	0.050	0.40	1.27	-
L	0.150	REF	3.81	REF	-
e1	45°		45°		-
α	0°	8°	0°	8°	-

Small Outline 8-pin TSSOP



SYMBOL	INCHES		MILLIMETERS		NOTES
	MIN	MAX	MIN	MAX	
A	0.114	0.122	2.90	3.10	-
B	0.169	0.177	4.30	4.50	-
C	0.244	0.260	6.20	6.60	-
D	0.026	BSC	0.65	BSC	-
E	0.010	0.012	0.25	0.30	-
F	0.002	0.006	0.05	0.15	-
H	0.041	0.047	1.05	1.20	-
K	0.005	BSC	0.127	BSC	-
M	0.020	0.028	0.50	0.70	-
α	0°	8°	0°	8°	-