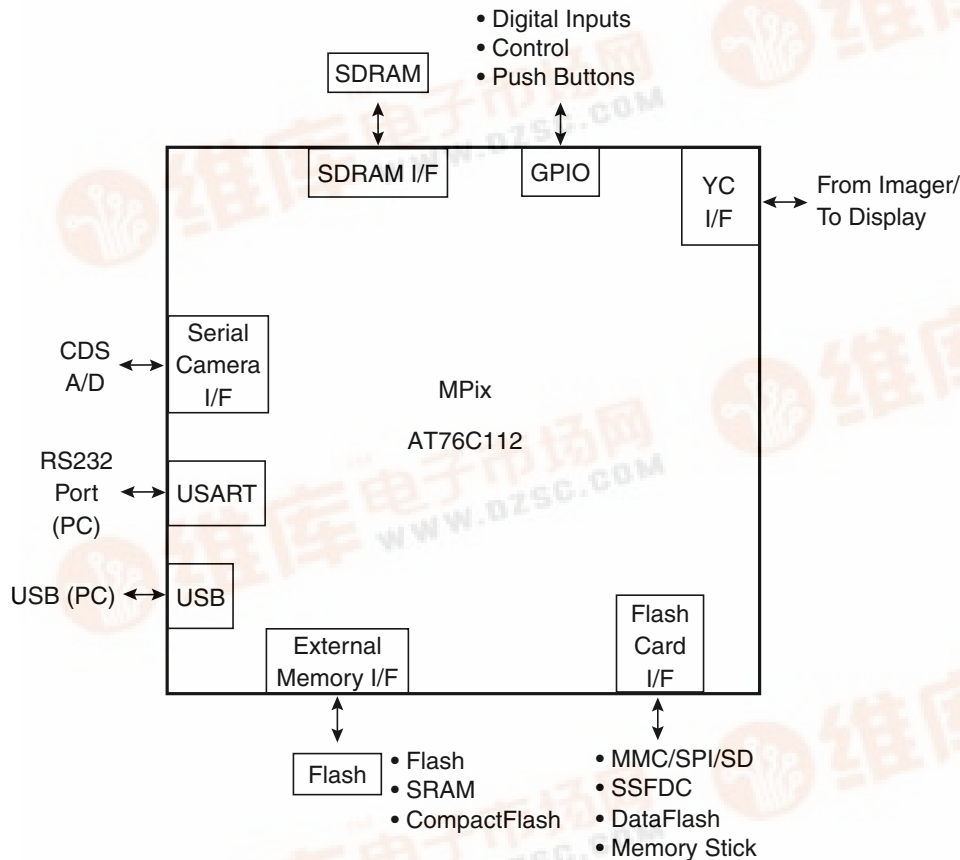


## Features

- Baseline JPEG Compression/Decompression
- Image Resize Engine
- 16-bit YC Digital Interface for CMOS Imager Input and Display Output
- Compatible with Various Types of Display Devices
- SDRAM Interface – Support from 16M Bits to 256M Bits
- Support for all Flash Card Interfaces (Atmel DataFlash®, MMC, SD, SSFDC, CompactFlash, Memory Stick)
- USB and USART Interfaces for PC Camera Applications
- 4 Dedicated External Interrupts, Timer Clock Input and Wake-up Pin
- Serial Interface for Controlling Camera Components
- 32 Pins for General-purpose I/O
- Up to 2M Bytes Program Space
- Support for RTOS
- All Low-level Software, Application Samples are Provided
- 208-pin BGA Package
- 1.8-volt Core and 3.3-volt I/O Operation

Figure 1. Typical DSC Application Using AT76C112



## High-Performance Digital Camera Processor

### AT76C112

### Summary





## Description

The AT76C112 is a highly integrated solution for digital camera and image playback devices. It combines a number of functions that are required for implementing such devices.

- Image data acquisition from CMOS imagers
- Image display
- Image processing and image storing
- Overall system management
- Control of general-purpose I/O functions
- Data communication
- Control of user functions
- On-screen display

It also provides a large number of interfaces that allow equipment manufacturers to directly access a variety of devices that may be present in a digital camera or image playback system.

- Communication with PCs
- Communication with Flash cards
- Serial communication ports for controlling other devices in the system

The design is based on an ARM<sup>®</sup> microprocessor that controls the entire chip. A number of hardware resources, controlled by ARM, perform digital imaging functions such as JPEG coding/decoding, image resizing, and DMA access to SDRAM. All these computational-intensive functions are implemented in hardware which can be programmed according to user specifications, thus allowing ARM to be free for other user-defined functions.

## Capabilities

- Supports up to 16 megapixel CMOS imagers
- Interfaces to 16- to 256-Mbit SDRAM, one or two pieces
- 15 frames/sec capture mode (VGA resolution)
- Up to 1.5M bytes/sec read/write from/to Flash cards
- 2M bytes external Flash ROM for program space
- 2M bytes external SRAM for program/working space (optional)
- Full-speed USB interface (mass storage and image class)
- Maximum 80 mA current in normal operation
- 1 - 5 mA in standby mode
- 50 - 100  $\mu$ A current in sleep mode



## Atmel Headquarters

**Corporate Headquarters**  
2325 Orchard Parkway  
San Jose, CA 95131  
TEL 1(408) 441-0311  
FAX 1(408) 487-2600

### Europe

Atmel Sarl  
Route des Arsenaux 41  
Case Postale 80  
CH-1705 Fribourg  
Switzerland  
TEL (41) 26-426-5555  
FAX (41) 26-426-5500

### Asia

Room 1219  
Chinachem Golden Plaza  
77 Mody Road Tsimshatsui  
East Kowloon  
Hong Kong  
TEL (852) 2721-9778  
FAX (852) 2722-1369

### Japan

9F, Tonetsu Shinkawa Bldg.  
1-24-8 Shinkawa  
Chuo-ku, Tokyo 104-0033  
Japan  
TEL (81) 3-3523-3551  
FAX (81) 3-3523-7581

## Atmel Operations

### Memory

2325 Orchard Parkway  
San Jose, CA 95131  
TEL 1(408) 441-0311  
FAX 1(408) 436-4314

### Microcontrollers

2325 Orchard Parkway  
San Jose, CA 95131  
TEL 1(408) 441-0311  
FAX 1(408) 436-4314

La Chantrerie  
BP 70602  
44306 Nantes Cedex 3, France  
TEL (33) 2-40-18-18-18  
FAX (33) 2-40-18-19-60

### ASIC/ASSP/Smart Cards

Zone Industrielle  
13106 Rousset Cedex, France  
TEL (33) 4-42-53-60-00  
FAX (33) 4-42-53-60-01

1150 East Cheyenne Mtn. Blvd.  
Colorado Springs, CO 80906  
TEL 1(719) 576-3300  
FAX 1(719) 540-1759

Scottish Enterprise Technology Park  
Maxwell Building  
East Kilbride G75 0QR, Scotland  
TEL (44) 1355-803-000  
FAX (44) 1355-242-743

### RF/Automotive

Theresienstrasse 2  
Postfach 3535  
74025 Heilbronn, Germany  
TEL (49) 71-31-67-0  
FAX (49) 71-31-67-2340

1150 East Cheyenne Mtn. Blvd.  
Colorado Springs, CO 80906  
TEL 1(719) 576-3300  
FAX 1(719) 540-1759

### Biometrics/Imaging/Hi-Rel MPU/ High Speed Converters/RF Datacom

Avenue de Rochepleine  
BP 123  
38521 Saint-Egreve Cedex, France  
TEL (33) 4-76-58-30-00  
FAX (33) 4-76-58-34-80

---

### *e-mail*

[literature@atmel.com](mailto:literature@atmel.com)

### *Web Site*

<http://www.atmel.com>

## © Atmel Corporation 2002.

Atmel Corporation makes no warranty for the use of its products, other than those expressly contained in the Company's standard warranty which is detailed in Atmel's Terms and Conditions located on the Company's web site. The Company assumes no responsibility for any errors which may appear in this document, reserves the right to change devices or specifications detailed herein at any time without notice, and does not make any commitment to update the information contained herein. No licenses to patents or other intellectual property of Atmel are granted by the Company in connection with the sale of Atmel products, expressly or by implication. Atmel's products are not authorized for use as critical components in life support devices or systems.

ATMEL® and DataFlash® are the registered trademarks of Atmel.

ARM® is the registered trademark of ARM, Ltd. Other terms and product names may be the trademarks of others.



Printed on recycled paper.