



# 1.5–18 GHz Surface Mount Pseudomorphic HEMT

## Technical Data

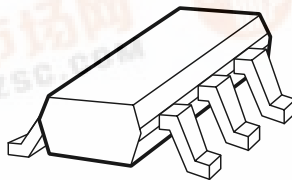
### Features

- **Low Minimum Noise Figure:**  
1 dB Typical at 12 GHz  
0.6 dB Typical at 4 GHz
- **Associated Gain:**  
9.4 dB Typical at 12 GHz  
15.8 dB Typical at 4 GHz
- **Maximum Available Gain:**  
11 dB Typical at 12 GHz  
17 dB Typical at 4 GHz
- **Low Cost Surface Mount Small Plastic Package**
- **Tape-and-Reel Packaging Option Available**

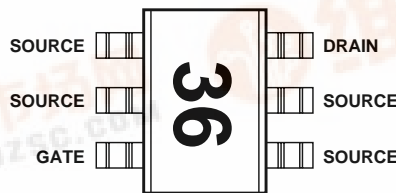
### Applications

- **12 GHz DBS Downconverters**
- **4 GHz TVRO Downconverters**
- **S or L Band Low Noise Amplifiers**

### Surface Mount Package SOT-363 (SC-70)



### Pin Connections and Package Marking



Note: Package marking provides orientation and identification.

### Description

The Hewlett-Packard ATF-36163 is a low-noise Pseudomorphic High Electron Mobility Transistor (PHEMT), in the SOT-363 (SC-70) package. When optimally matched for minimum noise figure, it will provide a noise figure of 1 dB at 12 GHz and 0.6 dB at 4 GHz.

### ATF-36163

Additionally, the ATF-36163 has low noise-resistance, which reduces the sensitivity of noise performance to variations in input impedance match. This feature makes the design of broad band low noise amplifiers much easier. The performance of the ATF-36163 makes this device the ideal choice for use in the 2nd or 3rd stage of low noise cascades. The repeatable performance and consistency make it appropriate for use in Ku-band Direct Broadcast Satellite (DBS) TV systems, C-band TV Receive Only (TVRO) LNAs, Multichannel Multipoint Distribution Systems (MMDS), X-band Radar detector and other low noise amplifiers operating in the 1.5–18 GHz frequency range.

This GaAs PHEMT device has a nominal 0.2 micron gate length with a total gate periphery (width) of 200 microns. Proven gold-based metallization system and nitride passivation assure rugged, reliable devices.

## ATF-36163 Absolute Maximum Ratings<sup>[1]</sup>

Symbol	Parameter	Units	Absolute Maximum
V <sub>DS</sub>	Drain - Source Voltage	V	+3
V <sub>GS</sub>	Gate - Source Voltage	V	-3
V <sub>GD</sub>	Gate Drain Voltage	V	-3.5
I <sub>D</sub>	Drain Current	mA	I <sub>dss</sub>
P <sub>T</sub>	Total Power Dissipation	mW	180
P <sub>in max</sub>	RF Input Power	dBm	+10
T <sub>CH</sub>	Channel Temperature	°C	150
T <sub>STG</sub>	Storage Temperature	°C	-65 to 150

### Thermal Resistance:

$$\theta_{ch-c} = 160^{\circ}\text{C/W}$$

#### Note:

1. Operation of this device above any one of these parameters may cause permanent damage.

## ATF-36163 Electrical Specifications

T<sub>C</sub> = 25°C, Z<sub>O</sub> = 50 Ω, V<sub>ds</sub> = 1.5 V, I<sub>ds</sub> = 10 mA, (unless otherwise noted).

Symbol	Parameters and Test Conditions	Units	Min.	Typ.	Max.
NF	Noise Figure <sup>[1]</sup> f = 12.0 GHz	dB		1.2	1.4 <sup>[1]</sup>
G	Gain at NF <sup>[1]</sup> f = 12.0 GHz	dB	9	10	
g <sub>m</sub>	Transconductance V <sub>DS</sub> = 1.5 V, V <sub>GS</sub> = 0 V	mS	50	60	
I <sub>dss</sub>	Saturated Drain Current V <sub>DS</sub> = 1.5 V, V <sub>GS</sub> = 0 V	mA	15	25	40
V <sub>p10%</sub>	Pinchoff Voltage V <sub>DS</sub> = 1.5 V, I <sub>DS</sub> = 10% of I <sub>dss</sub>	V	-1.0	-0.35	-0.15
BV <sub>GDO</sub>	Gate Drain Breakdown Voltage I <sub>G</sub> = 30 μA	V			-3.5

#### Note:

1. Measured in a test circuit tuned for a typical device.

## ATF-36163 Typical Parameters

T<sub>C</sub> = 25°C, Z<sub>O</sub> = 50 Ω, V<sub>ds</sub> = 2 V, I<sub>ds</sub> = 15 mA, (unless otherwise noted).

Symbol	Parameters and Test Conditions	Units	Typ.
F <sub>min</sub>	Minimum Noise Figure (Γ <sub>source</sub> = Γ <sub>opt</sub> ) f = 4 GHz	dB	0.6
	f = 12 GHz	dB	1.0
G <sub>a</sub>	Associated Gain f = 4 GHz	dB	15.8
	f = 12 GHz	dB	9.4
G <sub>max</sub>	Maximum Available Gain <sup>[1]</sup> f = 4 GHz	dB	17.2
	f = 12 GHz	dB	10.9
P <sub>1dB</sub>	Output Power at 1 dB Gain Compression under the power matched condition f = 4 GHz	dBm	5
	f = 12 GHz	dBm	5
V <sub>GS</sub>	Gate to Source Voltage for I <sub>DS</sub> = 15 mA V <sub>DS</sub> = 2.0 V	V	-0.2

#### Note:

1. G<sub>max</sub> = MAG for K > 1 and G<sub>max</sub> = MSG for K ≤ 1, which is shown on the S-parameters tables.

**ATF-36163 Typical Scattering Parameters, Common Source,  $Z_0 = 50 \Omega$ ,  $V_{DS} = 1.5 \text{ V}$ ,  $I_D = 10 \text{ mA}$**

Freq. GHz	$S_{11}$		$S_{21}$			$S_{12}$			$S_{22}$		K	$G_{max}^{[1]}$ dB
	Mag.	Ang.	dB	Mag.	Ang.	dB	Mag.	Ang.	Mag.	Ang.		
0.5	0.99	-11	12.85	4.39	168	-37.72	0.01	79	0.51	-9	0.11	25.24
1	0.98	-22	12.70	4.31	158	-31.70	0.03	71	0.50	-18	0.17	22.26
2	0.96	-42	12.48	4.21	138	-26.02	0.05	55	0.48	-36	0.24	19.28
3	0.93	-61	12.37	4.15	118	-22.73	0.07	40	0.45	-53	0.33	17.56
4	0.87	-83	12.30	4.12	97	-20.45	0.10	23	0.40	-71	0.43	16.38
5	0.81	-106	12.16	4.06	76	-18.71	0.12	6	0.34	-92	0.51	15.43
6	0.75	-131	11.94	3.95	55	-17.52	0.13	-12	0.27	-116	0.58	14.73
7	0.67	-158	11.47	3.75	33	-16.77	0.15	-30	0.18	-144	0.69	14.12
8	0.61	176	11.01	3.55	12	-16.36	0.15	-45	0.10	174	0.79	13.69
9	0.57	143	10.47	3.34	-10	-15.97	0.16	-61	0.12	93	0.85	13.22
10	0.57	108	9.66	3.04	-32	-15.92	0.16	-77	0.22	53	0.91	12.80
11	0.59	76	8.53	2.67	-54	-16.48	0.15	-93	0.33	28	0.99	12.50
12	0.63	50	7.39	2.34	-74	-17.14	0.14	-106	0.41	9	1.07	10.65
13	0.67	26	6.10	2.02	-93	-18.27	0.12	-119	0.49	-8	1.18	9.64
14	0.72	6	4.81	1.74	-111	-19.74	0.10	-129	0.56	-22	1.30	8.99
15	0.78	-11	3.49	1.50	-128	-21.41	0.09	-138	0.63	-33	1.38	8.81
16	0.82	-24	2.20	1.29	-146	-23.10	0.07	-144	0.67	-43	1.44	8.70
17	0.87	-38	0.59	1.07	-164	-25.04	0.06	-151	0.73	-53	1.46	8.79
18	0.90	-52	-1.63	0.83	178	-29.12	0.04	-159	0.78	-65	1.80	8.58

**Note:**

1.  $G_{max} = \text{MAG}$  for  $K > 1$  and  $G_{max} = \text{MSG}$  for  $K \leq 1$ .

**ATF-36163 Typical Noise Parameters**

Common Source,  $Z_0 = 50 \Omega$ ,  $V_{DS} = 1.5 \text{ V}$ ,  $I_D = 10 \text{ mA}$

Freq. GHz	$F_{min}$ dB	$G_a$ dB	$\Gamma_{opt}$		$R_n/Z_0$ -
			Mag.	Ang.	
2	0.48	18.77	0.78	28	0.38
3	0.53	16.75	0.75	41	0.32
4	0.57	15.17	0.68	55	0.26
5	0.61	14.14	0.60	71	0.20
6	0.66	13.23	0.55	88	0.15
7	0.71	12.06	0.48	105	0.12
8	0.77	11.22	0.38	119	0.10
9	0.83	10.50	0.32	138	0.07
10	0.89	10.02	0.23	170	0.07
11	0.97	9.44	0.18	-141	0.09
12	1.05	8.92	0.20	-92	0.13
13	1.14	8.45	0.26	-46	0.21
14	1.24	8.12	0.36	-16	0.32
15	1.37	8.08	0.48	4	0.44
16	1.51	8.11	0.59	19	0.60
17	1.68	7.97	0.64	34	0.79
18	1.89	7.59	0.70	51	1.15

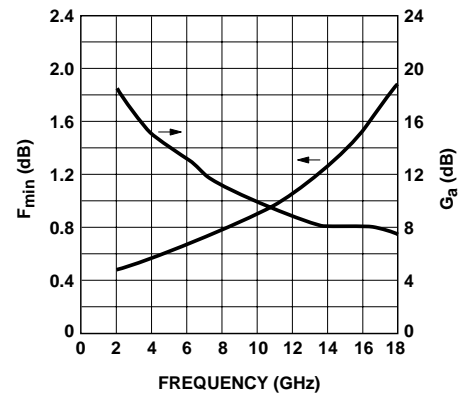


Figure 1. ATF-36163 Minimum Noise Figure and Associated Gain vs. Frequency for  $V_{DS} = 1.5 \text{ V}$ ,  $I_D = 10 \text{ mA}$ .

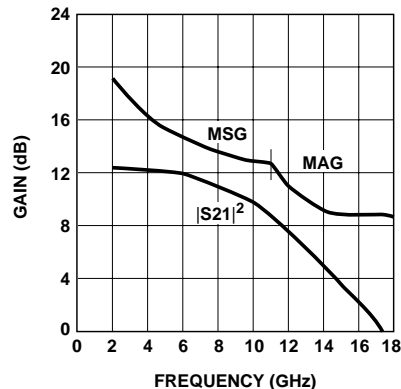


Figure 2. Maximum Available Gain, Maximum Stable Gain & Insertion Power Gain vs. Frequency for  $V_{DS} = 1.5 \text{ V}$ ,  $I_D = 10 \text{ mA}$ .

**ATF-36163 Typical Scattering Parameters**, Common Source,  $Z_0 = 50 \Omega$ ,  $V_{DS} = 1.5 \text{ V}$ ,  $I_D = 15 \text{ mA}$

Freq. GHz	$S_{11}$		$S_{21}$			$S_{12}$			$S_{22}$		K	$G_{max}^{[1]}$ dB
	Mag.	Ang.	dB	Mag.	Ang.	dB	Mag.	Ang.	Mag.	Ang.		
0.5	0.99	-12	13.56	4.76	168	-38.42	0.01	79	0.45	-9	0.12	25.82
1	0.98	-22	13.40	4.68	157	-32.40	0.02	71	0.45	-18	0.18	22.86
2	0.96	-43	13.16	4.55	137	-26.56	0.05	56	0.43	-36	0.26	19.87
3	0.92	-63	13.00	4.47	116	-23.22	0.07	40	0.40	-52	0.35	18.13
4	0.86	-85	12.87	4.40	96	-21.01	0.09	24	0.35	-70	0.46	16.94
5	0.80	-108	12.68	4.30	75	-19.25	0.11	7	0.28	-92	0.55	15.98
6	0.74	-133	12.38	4.16	53	-18.13	0.12	-11	0.21	-116	0.62	15.25
7	0.66	-160	11.85	3.91	31	-17.39	0.14	-28	0.13	-146	0.74	14.62
8	0.59	173	11.33	3.68	11	-16.95	0.14	-42	0.06	156	0.84	14.14
9	0.56	141	10.74	3.44	-11	-16.54	0.15	-58	0.12	73	0.90	13.63
10	0.56	106	9.89	3.12	-33	-16.42	0.15	-73	0.23	44	0.95	13.16
11	0.59	74	8.74	2.74	-54	-16.83	0.14	-88	0.34	23	1.03	11.78
12	0.63	49	7.59	2.40	-74	-17.39	0.14	-102	0.42	6	1.10	10.62
13	0.68	25	6.29	2.06	-93	-18.42	0.12	-115	0.50	-10	1.19	9.72
14	0.73	5	5.01	1.78	-110	-19.74	0.10	-124	0.57	-23	1.29	9.15
15	0.79	-12	3.70	1.53	-127	-21.31	0.09	-133	0.64	-34	1.35	8.99
16	0.83	-25	2.43	1.32	-144	-22.85	0.07	-139	0.68	-44	1.39	8.93
17	0.87	-38	0.84	1.10	-163	-24.73	0.06	-148	0.73	-54	1.39	9.06
18	0.91	-53	-1.33	0.86	180	-28.87	0.04	-155	0.78	-66	1.67	8.92

**Note:**

1.  $G_{max} = \text{MAG}$  for  $K > 1$  and  $G_{max} = \text{MSG}$  for  $K \leq 1$ .

**ATF-36163 Typical Noise Parameters**

Common Source,  $Z_0 = 50 \Omega$ ,  $V_{DS} = 1.5 \text{ V}$ ,  $I_D = 15 \text{ mA}$

Freq. GHz	$F_{min}$ dB	$G_a$ dB	$\Gamma_{opt}$		$R_n/Z_0$ -
			Mag.	Ang.	
2	0.49	18.87	0.84	28	0.38
3	0.54	17.20	0.74	42	0.31
4	0.58	15.75	0.66	57	0.25
5	0.63	14.49	0.59	72	0.19
6	0.68	13.61	0.54	90	0.15
7	0.73	12.36	0.46	106	0.11
8	0.79	11.54	0.37	121	0.09
9	0.85	10.82	0.30	140	0.08
10	0.91	10.32	0.21	174	0.08
11	0.99	9.73	0.17	-133	0.10
12	1.07	9.22	0.20	-83	0.14
13	1.17	8.68	0.26	-40	0.22
14	1.27	8.41	0.38	-12	0.34
15	1.40	8.36	0.49	7	0.46
16	1.54	8.37	0.60	21	0.64
17	1.72	8.10	0.62	35	0.85
18	1.93	8.00	0.71	52	1.18

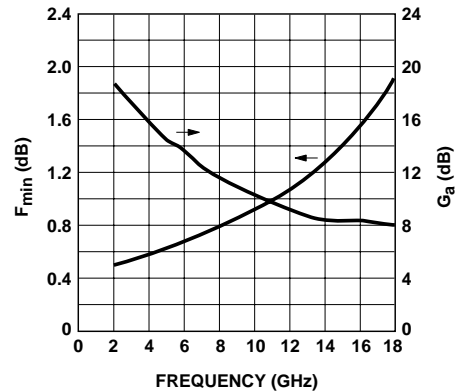


Figure 3. ATF-36163 Minimum Noise Figure and Associated Gain vs. Frequency for  $V_{DS} = 1.5 \text{ V}$ ,  $I_D = 15 \text{ mA}$ .

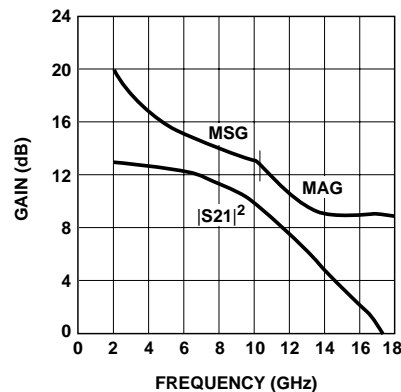


Figure 4. Maximum Available Gain, Maximum Stable Gain & Insertion Power Gain vs. Frequency for  $V_{DS} = 1.5 \text{ V}$ ,  $I_D = 15 \text{ mA}$ .

**ATF-36163 Typical Scattering Parameters**, Common Source,  $Z_0 = 50 \Omega$ ,  $V_{DS} = 2.0 \text{ V}$ ,  $I_D = 10 \text{ mA}$

Freq. GHz	$S_{11}$		$S_{21}$			$S_{12}$			$S_{22}$		K -	$G_{max}^{[1]}$ dB
	Mag.	Ang.	dB	Mag.	Ang.	dB	Mag.	Ang.	Mag.	Ang.		
0.5	0.99	-11	13.06	4.50	168	-37.72	0.01	79	0.55	-9	0.11	25.46
1	0.99	-22	12.90	4.42	158	-32.04	0.03	71	0.55	-18	0.16	22.46
2	0.96	-42	12.69	4.31	138	-26.38	0.05	56	0.53	-35	0.24	19.50
3	0.93	-62	12.57	4.25	118	-22.97	0.07	40	0.50	-52	0.32	17.77
4	0.87	-83	12.51	4.22	97	-20.72	0.09	23	0.44	-70	0.42	16.61
5	0.81	-106	12.38	4.16	76	-18.94	0.11	6	0.38	-90	0.51	15.67
6	0.75	-131	12.15	4.05	55	-17.79	0.13	-12	0.31	-112	0.58	14.98
7	0.67	-157	11.70	3.84	33	-17.08	0.14	-30	0.21	-137	0.69	14.38
8	0.60	176	11.25	3.65	13	-16.65	0.15	-44	0.13	-168	0.79	13.96
9	0.57	144	10.73	3.44	-10	-16.25	0.15	-60	0.10	115	0.85	13.50
10	0.56	109	9.95	3.14	-32	-16.25	0.15	-76	0.18	61	0.91	13.10
11	0.58	77	8.86	2.77	-53	-16.77	0.15	-91	0.29	32	1.00	12.52
12	0.62	50	7.75	2.44	-73	-17.39	0.14	-104	0.37	12	1.08	10.82
13	0.67	26	6.49	2.11	-93	-18.56	0.12	-117	0.46	-5	1.19	9.85
14	0.72	6	5.24	1.83	-110	-19.91	0.10	-126	0.53	-19	1.31	9.24
15	0.78	-10	3.96	1.58	-128	-21.51	0.08	-134	0.60	-30	1.38	9.07
16	0.82	-24	2.68	1.36	-146	-23.10	0.07	-139	0.65	-40	1.42	9.03
17	0.87	-37	1.08	1.13	-165	-24.88	0.06	-147	0.71	-50	1.38	9.28
18	0.91	-52	-1.16	0.88	177	-28.64	0.04	-153	0.78	-63	1.63	9.06

Note:

1.  $G_{max} = MAG$  for  $K > 1$  and  $G_{max} = MSG$  for  $K \leq 1$ .

**ATF-36163 Typical Noise Parameters**

Common Source,  $Z_0 = 50 \Omega$ ,  $V_{DS} = 2.0 \text{ V}$ ,  $I_D = 10 \text{ mA}$

Freq. GHz	$F_{min}$ dB	$G_a$ dB	$\Gamma_{opt}$		$R_n/Z_0$ -
			Mag.	Ang.	
2	0.46	18.60	0.84	28	0.38
3	0.50	16.75	0.76	41	0.31
4	0.54	15.55	0.67	56	0.25
5	0.59	14.20	0.61	70	0.20
6	0.63	13.37	0.55	88	0.15
7	0.68	12.12	0.49	103	0.12
8	0.74	11.35	0.39	118	0.10
9	0.80	10.59	0.33	135	0.07
10	0.86	10.11	0.23	165	0.07
11	0.94	9.57	0.17	-145	0.09
12	1.02	9.08	0.18	-93	0.12
13	1.11	8.59	0.24	-47	0.19
14	1.22	8.30	0.34	-16	0.30
15	1.35	8.29	0.47	5	0.42
16	1.51	8.32	0.58	19	0.57
17	1.69	8.07	0.60	34	0.76
18	1.92	7.68	0.66	50	1.10

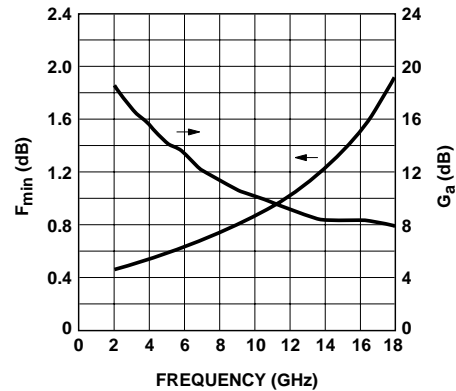


Figure 5. ATF-36163 Minimum Noise Figure and Associated Gain vs. Frequency for  $V_{DS} = 2.0 \text{ V}$ ,  $I_D = 10 \text{ mA}$ .

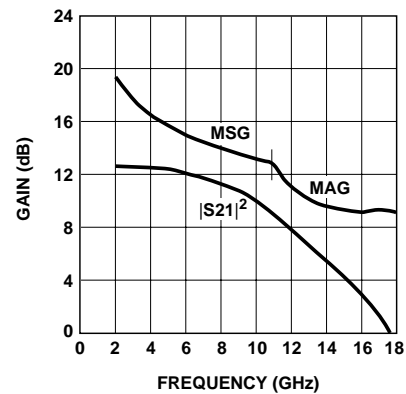


Figure 6. Maximum Available Gain, Maximum Stable Gain & Insertion Power Gain vs. Frequency.

**ATF-36163 Typical Scattering Parameters**, Common Source,  $Z_0 = 50 \Omega$ ,  $V_{DS} = 2 \text{ V}$ ,  $I_D = 15 \text{ mA}$

Freq. GHz	$S_{11}$		$S_{21}$			$S_{12}$			$S_{22}$		K -	$G_{max}^{[1]}$ dB
	Mag.	Ang.	dB	Mag.	Ang.	dB	Mag.	Ang.	Mag.	Ang.		
0.5	0.99	-12	13.85	4.93	168	-38.42	0.01	79	0.51	-9	0.12	26.10
1	0.98	-22	13.70	4.84	157	-32.40	0.02	71	0.50	-18	0.17	23.11
2	0.96	-43	13.45	4.70	137	-26.74	0.05	56	0.48	-35	0.26	20.13
3	0.92	-63	13.29	4.62	117	-23.48	0.07	40	0.45	-52	0.35	18.40
4	0.86	-85	13.16	4.55	96	-21.31	0.09	24	0.40	-69	0.46	17.22
5	0.79	-108	12.96	4.45	75	-19.58	0.11	7	0.33	-90	0.55	16.26
6	0.73	-133	12.67	4.30	53	-18.42	0.12	-10	0.26	-112	0.62	15.54
7	0.65	-160	12.13	4.04	32	-17.72	0.13	-28	0.17	-136	0.75	14.93
8	0.59	173	11.63	3.81	11	-17.27	0.14	-42	0.09	-171	0.84	14.46
9	0.55	141	11.06	3.57	-11	-16.83	0.14	-57	0.09	93	0.90	13.95
10	0.56	107	10.23	3.25	-32	-16.77	0.15	-72	0.19	51	0.96	13.50
11	0.58	75	9.11	2.86	-53	-17.14	0.14	-87	0.30	27	1.04	11.93
12	0.63	49	8.00	2.51	-73	-17.72	0.13	-99	0.38	9	1.11	10.85
13	0.68	26	6.75	2.17	-92	-18.71	0.12	-112	0.47	-7	1.20	10.00
14	0.73	6	5.49	1.88	-110	-20.00	0.10	-121	0.54	-20	1.30	9.45
15	0.78	-11	4.22	1.63	-127	-21.41	0.09	-129	0.61	-31	1.35	9.30
16	0.83	-24	2.99	1.41	-145	-22.73	0.07	-135	0.66	-41	1.36	9.31
17	0.88	-38	1.42	1.18	-164	-24.44	0.06	-143	0.72	-51	1.31	9.56
18	0.91	-52	-0.79	0.91	178	-27.96	0.04	-149	0.78	-63	1.50	9.44

Note:

1.  $G_{max} = \text{MAG}$  for  $K > 1$  and  $G_{max} = \text{MSG}$  for  $K \leq 1$ .

**ATF-36163 Typical Noise Parameters**

Common Source,  $Z_0 = 50 \Omega$ ,  $V_{DS} = 2.0 \text{ V}$ ,  $I_D = 15 \text{ mA}$

Freq. GHz	$F_{min}$ dB	$G_a$ dB	$\Gamma_{opt}$		$R_n/Z_0$ -
			Mag.	Ang.	
2	0.48	18.97	0.83	28	0.37
3	0.52	17.27	0.74	41	0.31
4	0.56	15.75	0.67	56	0.25
5	0.61	14.54	0.60	71	0.19
6	0.65	13.68	0.55	89	0.15
7	0.70	12.47	0.46	104	0.11
8	0.76	11.66	0.37	118	0.09
9	0.82	10.94	0.31	136	0.08
10	0.88	10.44	0.21	168	0.07
11	0.95	9.88	0.15	-137	0.09
12	1.03	9.38	0.18	-85	0.13
13	1.12	8.90	0.25	-41	0.21
14	1.23	8.63	0.36	-13	0.32
15	1.35	8.59	0.48	7	0.44
16	1.49	8.63	0.58	20	0.60
17	1.65	8.68	0.65	34	0.79
18	1.86	8.32	0.70	51	1.10

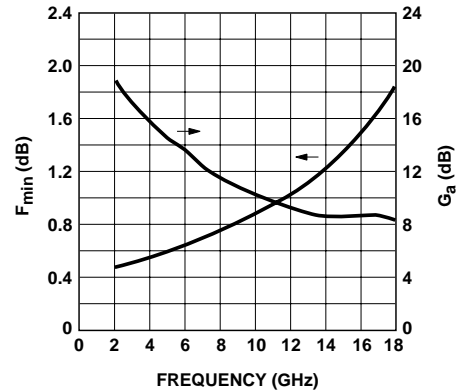


Figure 7. ATF-36163 Minimum Noise Figure and Associated Gain vs. Frequency for  $V_{DS} = 2 \text{ V}$ ,  $I_D = 15 \text{ mA}$ .

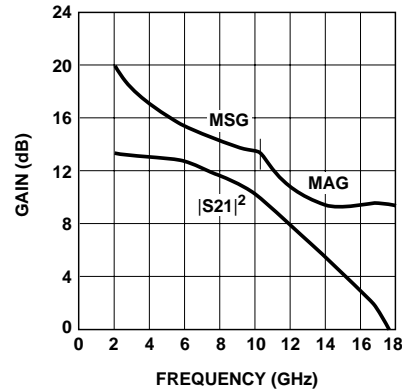


Figure 8. Maximum Available Gain, Maximum Stable Gain & Insertion Power Gain vs. Frequency for  $V_{DS} = 2 \text{ V}$ ,  $I_D = 15 \text{ mA}$ .

**ATF-36163 Typical “Off” Scattering Parameters, Common Source,  $Z_0 = 50 \Omega$ ,  $V_{DS} = 0V$ ,  $V_{GS} = 0V$**

Freq. GHz	$S_{11}$		dB	$S_{21}$		dB	$S_{12}$		$S_{22}$	
	Mag.	Ang.		Mag.	Ang.		Mag.	Ang.	Mag.	Ang.
0.5	0.998	-10	-46.02	0.01	80	-46.02	0.01	86	0.703	170
1	0.993	-20	-39.17	0.01	81	-39.17	0.01	83	0.701	160
2	0.99	-37	-32.77	0.02	75	-32.77	0.02	76	0.70	139
3	0.98	-55	-28.64	0.04	67	-28.64	0.04	68	0.71	119
4	0.96	-74	-25.35	0.05	56	-25.19	0.06	57	0.73	99
5	0.94	-95	-22.62	0.07	42	-22.50	0.08	42	0.74	81
6	0.92	-118	-20.45	0.10	27	-20.45	0.10	27	0.75	63
7	0.89	-142	-18.79	0.12	11	-18.71	0.12	11	0.77	46
8	0.86	-168	-17.02	0.14	-6	-17.02	0.14	-5	0.78	30
9	0.84	162	-15.70	0.16	-24	-15.70	0.16	-24	0.81	16
10	0.83	128	-14.85	0.18	-44	-14.85	0.18	-44	0.83	3
11	0.83	94	-14.66	0.19	-64	-14.66	0.19	-64	0.84	-10
12	0.85	64	-14.85	0.18	-83	-14.85	0.18	-83	0.85	-22
13	0.86	36	-15.76	0.16	-101	-15.76	0.16	-101	0.87	-34
14	0.87	12	-17.14	0.14	-116	-17.08	0.14	-115	0.89	-44
15	0.90	-8	-18.71	0.12	-129	-18.71	0.12	-129	0.89	-53
16	0.93	-24	-20.45	0.10	-140	-20.45	0.10	-140	0.90	-62
17	0.93	-39	-23.35	0.07	-154	-23.10	0.07	-152	0.90	-71
18	0.93	-53	-27.96	0.04	-161	-28.18	0.04	-161	0.90	-81

**ATF-36163 Typical “Off” Scattering Parameters, Common Source,  $Z_0 = 50 \Omega$ ,  $V_{DS} = 2.0V$ ,  $V_{GS} = -1.5V$**

Freq. GHz	$S_{11}$		dB	$S_{21}$		dB	$S_{12}$		$S_{22}$	
	Mag.	Ang.		Mag.	Ang.		Mag.	Ang.	Mag.	Ang.
0.5	0.97	-8	-34.89	0.02	82	-34.89	0.02	81	0.999	-7
1	0.98	-16	-28.87	0.04	74	-28.87	0.04	73	0.998	-14
2	0.99	-30	-22.85	0.07	59	-22.97	0.07	59	0.995	-29
3	0.98	-43	-19.33	0.11	44	-19.33	0.11	44	0.98	-43
4	0.97	-57	-16.71	0.15	29	-16.71	0.15	30	0.97	-57
5	0.96	-72	-14.42	0.19	14	-14.47	0.19	14	0.95	-74
6	0.94	-87	-12.62	0.23	-2	-12.65	0.23	-2	0.94	-91
7	0.92	-103	-10.90	0.29	-20	-10.96	0.28	-20	0.92	-107
8	0.89	-119	-9.60	0.33	-37	-9.63	0.33	-37	0.89	-125
9	0.85	-136	-8.09	0.39	-56	-8.09	0.39	-56	0.83	-148
10	0.79	-158	-6.73	0.46	-79	-6.73	0.46	-79	0.79	-174
11	0.74	177	-5.85	0.51	-106	-5.87	0.51	-106	0.75	156
12	0.72	149	-5.71	0.52	-136	-5.71	0.52	-136	0.73	123
13	0.71	114	-6.54	0.47	-170	-6.52	0.47	-170	0.74	86
14	0.75	74	-8.95	0.36	155	-8.92	0.36	156	0.79	50
15	0.82	35	-12.80	0.23	123	-12.69	0.23	123	0.85	18
16	0.89	5	-18.49	0.12	94	-18.20	0.12	95	0.90	-8
17	0.91	-21	-24.88	0.06	79	-24.44	0.06	84	0.91	-30
18	0.92	-42	-27.54	0.04	70	-27.96	0.04	69	0.90	-50



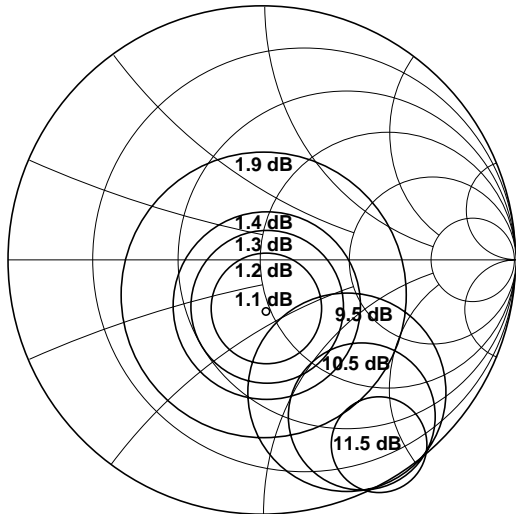


Figure 9. Smith Chart with Noise Figure and Available Gain Circles at 12 GHz,  $V_{DS} = 1.5$  V,  $I_D = 10$  mA.

### Phase Reference Planes

The positions of the reference planes used to measure S-Parameters and to specify  $\Gamma_{opt}$  for the Noise Parameters are shown in Figure 10. As seen in the illustration, the reference planes are located at the extremities of the package leads.

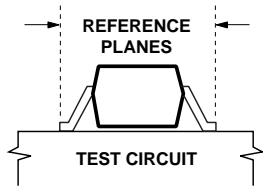


Figure 10. Reference Planes.

### SOT-363 PCB Layout

A PCB pad layout for the miniature SOT-363 (SC-70) package used by the ATF-36163 is shown in Figure 11 (dimensions are in inches). This layout provides ample allowance for package placement by automated assembly equipment. The layout is shown with a nominal SOT-363 package footprint superimposed on the PCB pads.

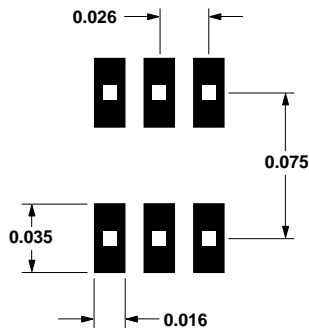
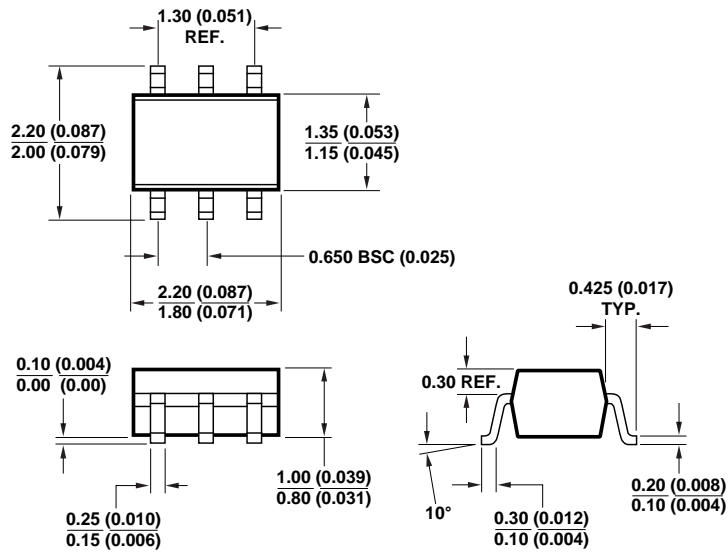


Figure 11. PCB Pad Layout (Dimensions in Inches).



**Package Dimensions**  
**Outline 63 (SOT-363/SC-70)**

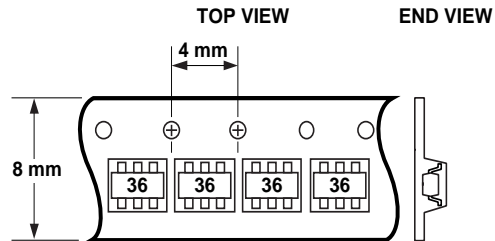
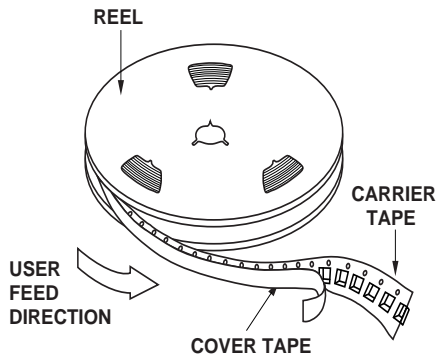


DIMENSIONS ARE IN MILLIMETERS (INCHES)

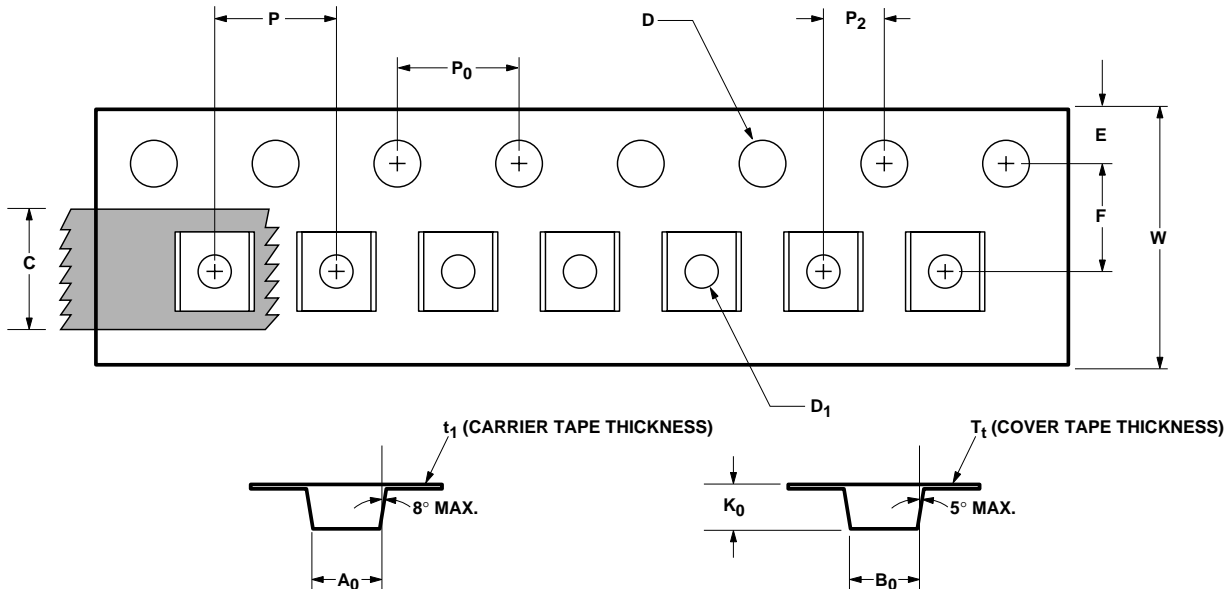
**Part Number Ordering Information**

Part Number	No. of Devices	Container
ATF-36163-TR1	3000	7" Reel
ATF-36163-BLK	100	antistatic bag

## Device Orientation



## Tape Dimensions and Product Orientation For Outline 63



DESCRIPTION		SYMBOL	SIZE (mm)	SIZE (INCHES)
CAVITY	LENGTH	$A_0$	$2.24 \pm 0.10$	$0.088 \pm 0.004$
	WIDTH	$B_0$	$2.34 \pm 0.10$	$0.092 \pm 0.004$
	DEPTH	$K_0$	$1.22 \pm 0.10$	$0.048 \pm 0.004$
	PITCH	$P$	$4.00 \pm 0.10$	$0.157 \pm 0.004$
	BOTTOM HOLE DIAMETER	$D_1$	$1.00 + 0.25$	$0.039 + 0.010$
	PERFORATION	DIAMETER	$D$	$1.55 \pm 0.05$
	PITCH	$P_0$	$4.00 \pm 0.10$	$0.157 \pm 0.004$
	POSITION	$E$	$1.75 \pm 0.10$	$0.069 \pm 0.004$
CARRIER TAPE	WIDTH	$W$	$8.00 \pm 0.30$	$0.315 \pm 0.012$
	THICKNESS	$t_1$	$0.255 \pm 0.013$	$0.010 \pm 0.0005$
COVER TAPE	WIDTH	$C$	$5.4 \pm 0.10$	$0.205 \pm 0.004$
	TAPE THICKNESS	$T_t$	$0.062 \pm 0.001$	$0.0025 \pm 0.00004$
DISTANCE	CAVITY TO PERFORATION (WIDTH DIRECTION)	$F$	$3.50 \pm 0.05$	$0.138 \pm 0.002$
	CAVITY TO PERFORATION (LENGTH DIRECTION)	$P_2$	$2.00 \pm 0.05$	$0.079 \pm 0.002$