



PRODUCT BRIEF

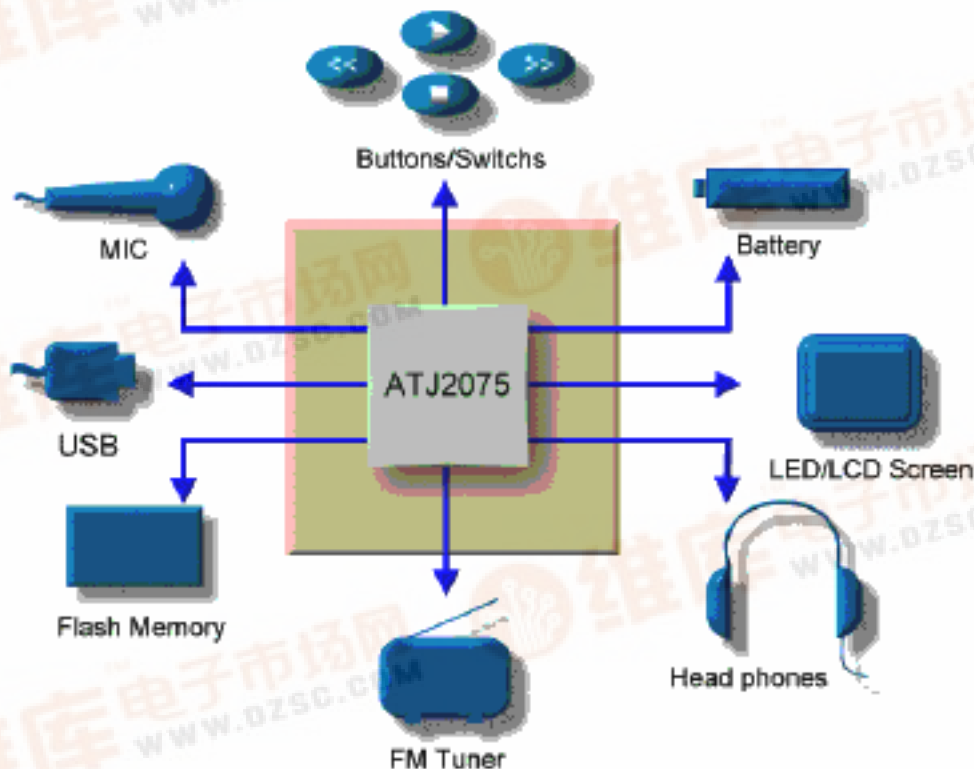
ATJ2075

MP3 / WMA Decoder with Drive-less USB Interface and Voice Record

Features

- MP3 / WMA decoding capability
- Nor Flash, Nand Flash, SMC, MMC
- 1• AA, 1• AAA or 2• AA, 2• AAA
- Full speed USB1.1
- Built-in LCD driver
- Support external LCD/LCM
- 4x9 key auto scan / support GPIO
- Record up to 17 hours (32M Flash)
- High performance 18-bit S• stereo technology
- High performance DSP speed up to 36 MIPS
- Support Master-Client application
- Upgradeable firmware
- Dynamic power management mode
- Adjustable EQ
- Support FM Radio input and 16 levels volume control
- 128-pin LQFP
- Dual oscillator, low power consumption, 32.768KHz (76.8KHz) and 24.576MHz

Application Form



ATJ2075

MP3/WMA Decoder with Drive-less USB Interface and Voice Record

Function Description

ATJ2075 is a single - chip highly – integrated digital music system solution which can be programmed for Audio, PDA, digital recorder, E-dictionary, mass storage device, etc. It built-in a 8-bit MCU and a high performance 24-bit fix point DSP, it is easy to fit every versatile audio application, and can exchange every documentation with PC without any external driver IC.

ATJ2075 provides a lot of peripheral interface, which can be easy joined with

LCD, key, headphone, MIC and FM.

ATJ2075 support to play Mpeg1, 2, 2.5 layer 1, 2, 3 format files. User can upgrade firmware through the internet and keep it new all the time. ATJ2075 can realize the function as learn machine and E-dictionary without other ICs. The power management unit can reduce power consumption and improve stand by & play time. Headphone driver can output 10mW×2@16ohm. ADCs.

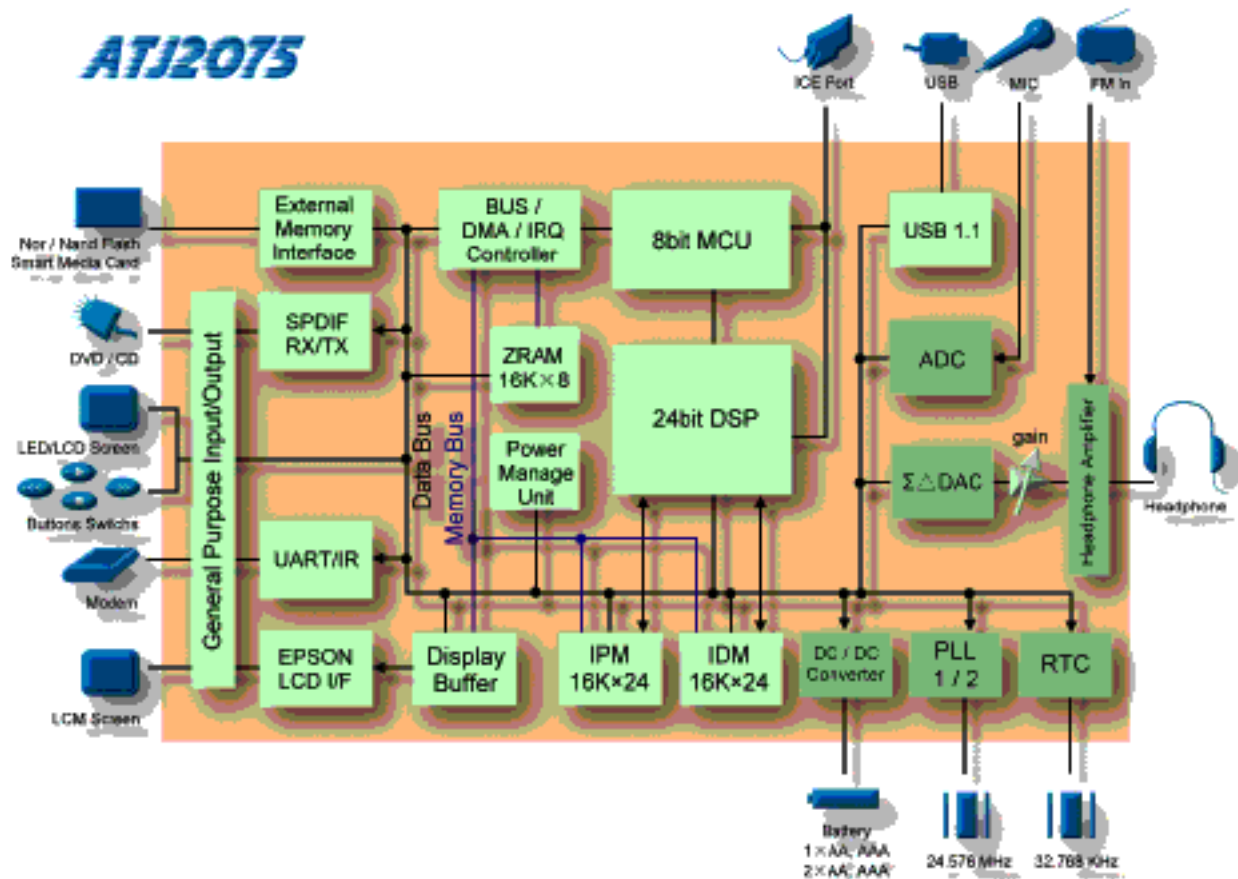


Figure1. ATJ2075 Block Diagram

Additional product and company information can be obtained by going to the Actions website at: www.actions.com.cn

Actions Semiconductor reserves the right to change this documentation without prior notice.

Copyright © 2003 Actions Semiconductor Co., Ltd. All rights reserved.

All contents of this document are protected by copyright law and may not be reproduced without the express written consent of Actions Semiconductor Co., Ltd.