



M68AW256M

4 Mbit (256K x16) 3.0V Asynchronous SRAM

FEATURES SUMMARY

- SUPPLY VOLTAGE: 2.7 to 3.6V
- 256K x 16 bits SRAM with OUTPUT ENABLE
- EQUAL CYCLE and ACCESS TIME: 55ns
- SINGLE BYTE READ/WRITE
- LOW STANDBY CURRENT
- LOW V_{CC} DATA RETENTION: 1.5V
- TRI-STATE COMMON I/O
- AUTOMATIC POWER DOWN

Figure 1. Packages

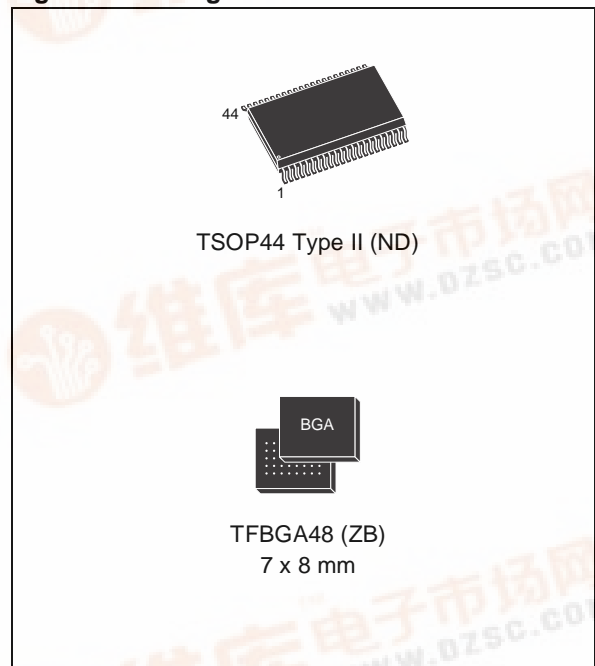


TABLE OF CONTENTS

SUMMARY DESCRIPTION **3**

 Figure 2. Logic Diagram 3

 Table 1. Signal Names 3

 Figure 3. TSOP Connections 4

 Figure 4. TFBGA Connections (Top view through package) 5

 Figure 5. Block Diagram 6

MAXIMUM RATING **6**

 Table 2. Absolute Maximum Ratings 6

DC AND AC PARAMETERS **7**

 Table 3. Operating and AC Measurement Conditions 7

 Figure 6. AC Measurement I/O Waveform 7

 Figure 7. AC Measurement Load Circuit 7

 Table 4. Capacitance 8

 Table 5. DC Characteristics 8

OPERATION **9**

 Table 6. Operating Modes 9

 Read Mode 9

 Figure 8. Address Controlled, Read Mode AC Waveforms 9

 Figure 9. Chip Enable or Output Enable Controlled, Read Mode AC Waveforms 10

 Figure 10. Chip Enable or UB/LB Controlled, Standby Mode AC Waveforms 10

 Table 7. Read and Standby Mode AC Characteristics 11

 Write Mode 12

 Figure 11. Write Enable Controlled, Write AC Waveforms 12

 Figure 12. Chip Enable Controlled, Write AC Waveforms 13

 Figure 13. UB/LB Controlled, Write AC Waveforms 13

 Table 8. Write Mode AC Characteristics 14

 Figure 14. Low V_{CC} Data Retention AC Waveforms 15

 Table 9. Low V_{CC} Data Retention Characteristics 15

PACKAGE MECHANICAL **16**

 TSOP44 Type II - 44 lead Plastic Thin Small Outline Type II, Package Outline 16

 TSOP 44 Type II - 44 lead Plastic Thin Small Outline Type II, Package Mechanical Data 16

 TFBGA48 7x8mm - 6x8 ball array, 0.75 mm pitch, Bottom View Package Outline 17

 TFBGA48 7x8mm - 6x8 ball array, 0.75 mm pitch, Package Mechanical Data 17

PART NUMBERING **18**

 Table 12. Ordering Information Scheme 18

REVISION HISTORY **19**

 Table 13. Document Revision History 19

SUMMARY DESCRIPTION

The M68AW256M is a 4 Mbit (4,194,304 bit) CMOS SRAM, organized as 262,144 words by 16 bits. The device features fully static operation requiring no external clocks or timing strobes, with equal address access and cycle times. It requires a single 2.7 to 3.6V supply. This device has an au-

tomatic power-down feature, reducing the power consumption by over 99% when deselected.

The M68AW256 is available in TFBGA48 (0.75 mm pitch) and in TSOP44 Type II packages.

Figure 2. Logic Diagram

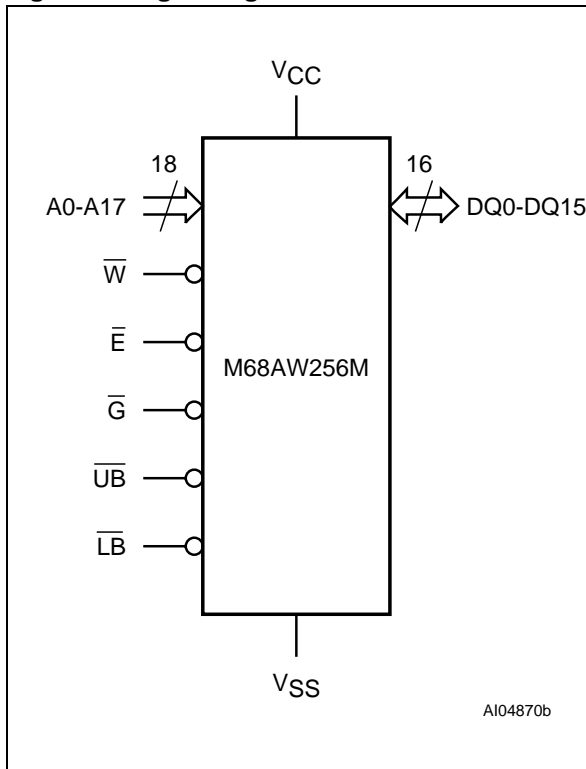


Table 1. Signal Names

A0-A17	Address Inputs
DQ0-DQ15	Data Input/Output
\bar{E}	Chip Enable
\bar{G}	Output Enable
\bar{W}	Write Enable
\bar{UB}	Upper Byte Enable Input
\bar{LB}	Lower Byte Enable Input
VCC	Supply Voltage
VSS	Ground
NC	Not Connected Internally
DU	Don't Use as Internally Connected

M68AW256M

Figure 3. TSOP Connections

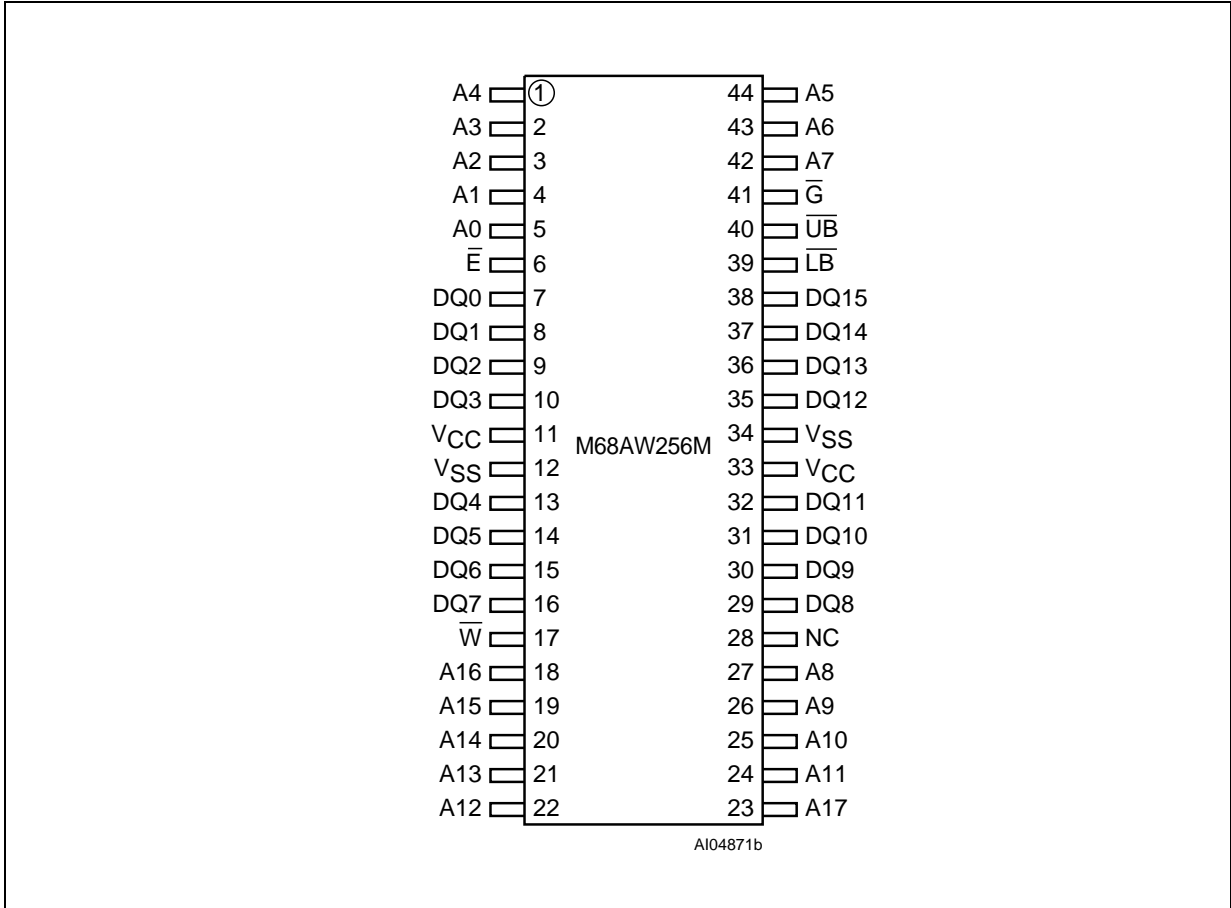


Figure 4. TFBGA Connections (Top view through package)

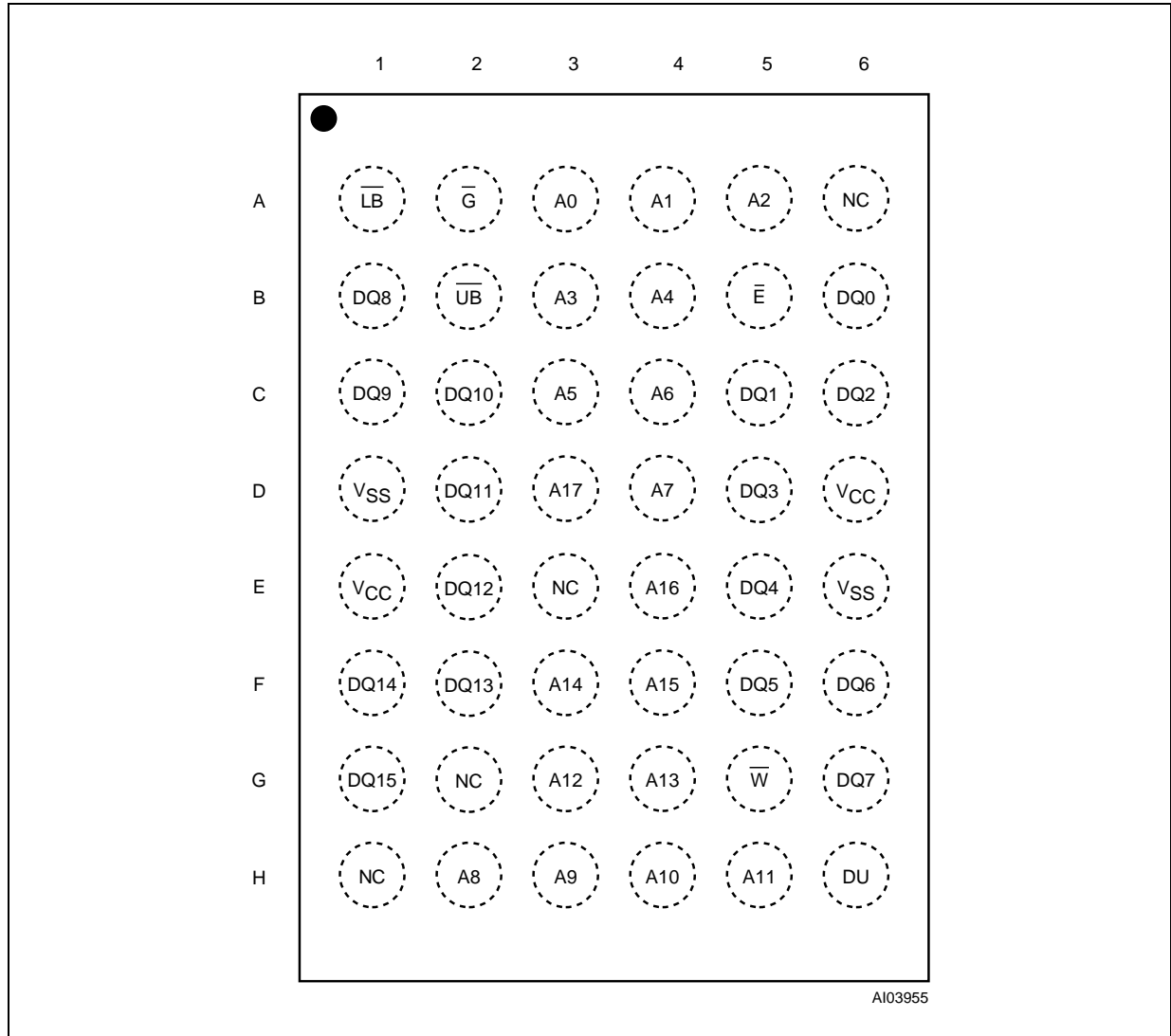
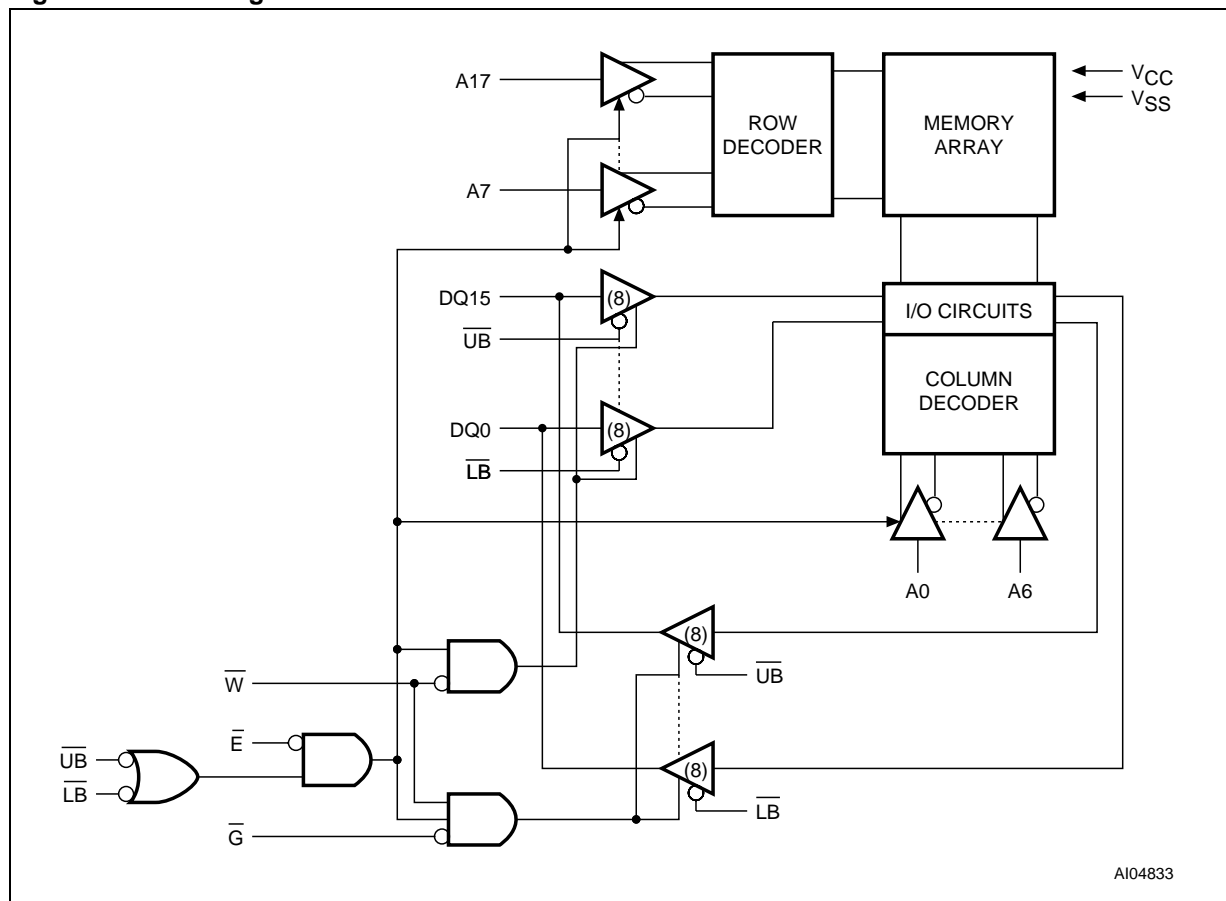


Figure 5. Block Diagram



MAXIMUM RATING

Stressing the device above the rating listed in the Absolute Maximum Ratings" table may cause permanent damage to the device. These are stress ratings only and operation of the device at these or any other conditions above those indicated in the Operating sections of this specification is not im-

plied. Exposure to Absolute Maximum Rating conditions for extended periods may affect device reliability. Refer also to the STMicroelectronics SURE Program and other relevant quality documents.

Table 2. Absolute Maximum Ratings

Symbol	Parameter	Value	Unit
$I_O^{(1)}$	Output Current	20	mA
T_A	Ambient Operating Temperature	-55 to 125	°C
T_{STG}	Storage Temperature	-65 to 150	°C
V_{CC}	Supply Voltage	-0.5 to 4.6	V
$V_{IO}^{(2)}$	Input or Output Voltage	-0.5 to $V_{CC} + 0.5$	V
P_D	Power Dissipation	1	W

Note: 1. One output at a time, not to exceed 1 second duration.
 2. Up to a maximum operating V_{CC} of 3.6V only.

DC AND AC PARAMETERS

This section summarizes the operating and measurement conditions, as well as the DC and AC characteristics of the device. The parameters in the following DC and AC Characteristic tables are derived from tests performed under the Measure-

ment Conditions listed in the relevant tables. Designers should check that the operating conditions in their projects match the measurement conditions when using the quoted parameters.

Table 3. Operating and AC Measurement Conditions

Parameter		M68AW256M
V _{CC} Supply Voltage		2.7 to 3.6V
Ambient Operating Temperature	Range 1	0 to 70°C
	Range 6	-40 to 85°C
Load Capacitance (C _L)		30pF
Output Circuit Protection Resistance (R ₁)		3.0kΩ
Load Resistance (R ₂)		3.1kΩ
Input Rise and Fall Times		1ns/V
Input Pulse Voltages		0 to V _{CC}
Input and Output Timing Ref. Voltages		V _{CC} /2
Output Transition Timing Ref. Voltages		V _{RL} = 0.3V _{CC} ; V _{RH} = 0.7V _{CC}

Figure 6. AC Measurement I/O Waveform

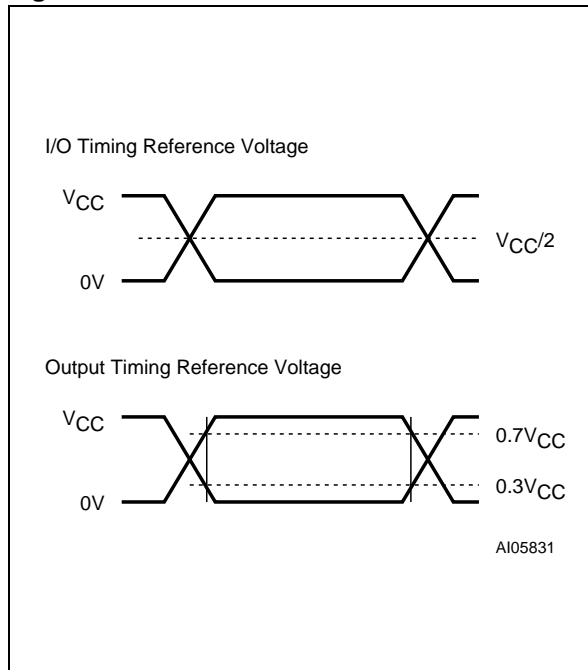
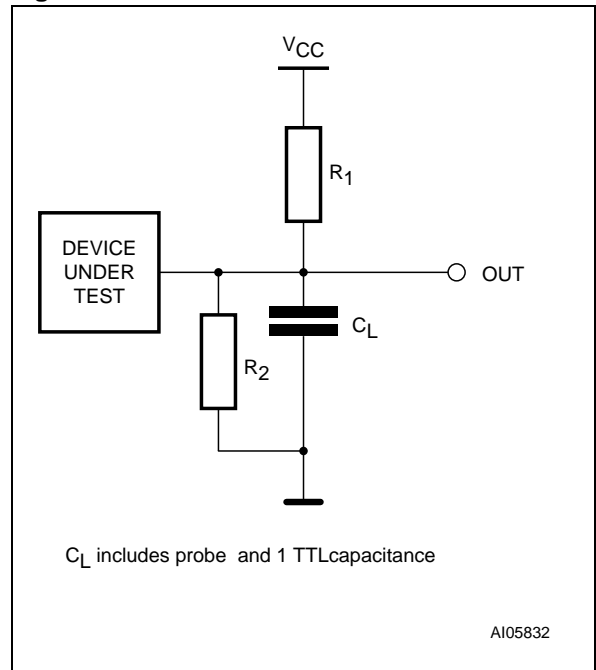


Figure 7. AC Measurement Load Circuit



M68AW256M

Table 4. Capacitance

Symbol	Parameter ^(1,2)	Test Condition	Min	Max	Unit
C _{IN}	Input Capacitance on all pins (except DQ)	V _{IN} = 0V		8	pF
C _{OUT}	Output Capacitance	V _{OUT} = 0V		10	pF

Note: 1. Sampled only, not 100% tested.
 2. At T_A = 25°C, f = 1 MHz, V_{CC} = 3.0V.

Table 5. DC Characteristics

Symbol	Parameter	Test Condition	Min	Typ	Max	Unit
I _{CC1} ^(1,2)	Operating Supply Current	V _{CC} = 3.6V, f = 1/t _{AVAV} , I _{OUT} = 0mA	70ns		20	mA
			55ns		26	mA
I _{CC2} ⁽³⁾	Operating Supply Current	V _{CC} = 3.6V, f = 1MHz, I _{OUT} = 0mA			2	mA
I _{SB}	Standby Supply Current CMOS	V _{CC} = 3.6V, f = 0, $\overline{E} \geq V_{CC} - 0.2V$ or $\overline{LB} = \overline{UB} \geq V_{CC} - 0.2V$		5	10	μA
I _{LI}	Input Leakage Current	0V ≤ V _{IN} ≤ V _{CC}	-1		1	μA
I _{LO}	Output Leakage Current	0V ≤ V _{OUT} ≤ V _{CC} ⁽⁴⁾	-1		1	μA
V _{IH}	Input High Voltage		2.2		V _{CC} + 0.3	V
V _{IL}	Input Low Voltage		-0.3		0.6	V
V _{OH}	Output High Voltage	I _{OH} = -1.0mA	2.4			V
V _{OL}	Output Low Voltage	I _{OL} = 2.1mA			0.4	V

Note: 1. Average AC current, cycling at t_{AVAV} minimum.
 2. $\overline{E} = V_{IL}$, \overline{LB} OR/AND $\overline{UB} = V_{IL}$, V_{IN} = V_{IL} OR V_{IH}.
 3. $\overline{E} \leq 0.2V$, \overline{LB} OR/AND $\overline{UB} \leq 0.2V$, V_{IN} ≤ 0.2V OR V_{IN} ≥ V_{CC} - 0.2V.
 4. Output disabled.

OPERATION

The M68AW256M has a Chip Enable power down feature which invokes an automatic standby mode whenever either Chip Enable is de-asserted ($\overline{E} = \text{High}$) or \overline{LB} and \overline{UB} are de-asserted (\overline{LB} and $\overline{UB} = \text{High}$). An Output Enable (\overline{G}) signal provides

a high speed tri-state control, allowing fast read/write cycles to be achieved with the common I/O data bus. Operational modes are determined by device control inputs \overline{W} , \overline{E} , \overline{LB} and \overline{UB} as summarized in the Operating Modes table (see Table 6).

Table 6. Operating Modes

Operation	\overline{E}	\overline{W}	\overline{G}	\overline{LB}	\overline{UB}	DQ0-DQ7	DQ8-DQ15	Power
Deselected	V_{IH}	X	X	X	X	Hi-Z	Hi-Z	Standby (I_{SB})
Deselected	X	X	X	V_{IH}	V_{IH}	Hi-Z	Hi-Z	Standby (I_{SB})
Lower Byte Read	V_{IL}	V_{IH}	V_{IL}	V_{IL}	V_{IH}	Data Output	Hi-Z	Active (I_{CC})
Lower Byte Write	V_{IL}	V_{IL}	X	V_{IL}	V_{IH}	Data Input	Hi-Z	Active (I_{CC})
Output Disabled	V_{IL}	V_{IH}	V_{IH}	X	X	Hi-Z	Hi-Z	Active (I_{CC})
Upper Byte Read	V_{IL}	V_{IH}	V_{IL}	V_{IH}	V_{IL}	Hi-Z	Data Output	Active (I_{CC})
Upper Byte Write	V_{IL}	V_{IL}	X	V_{IH}	V_{IL}	Hi-Z	Data Input	Active (I_{CC})
Word Read	V_{IL}	V_{IH}	V_{IL}	V_{IL}	V_{IL}	Data Output	Data Output	Active (I_{CC})
Word Write	V_{IL}	V_{IL}	X	V_{IL}	V_{IL}	Data Input	Data Input	Active (I_{CC})

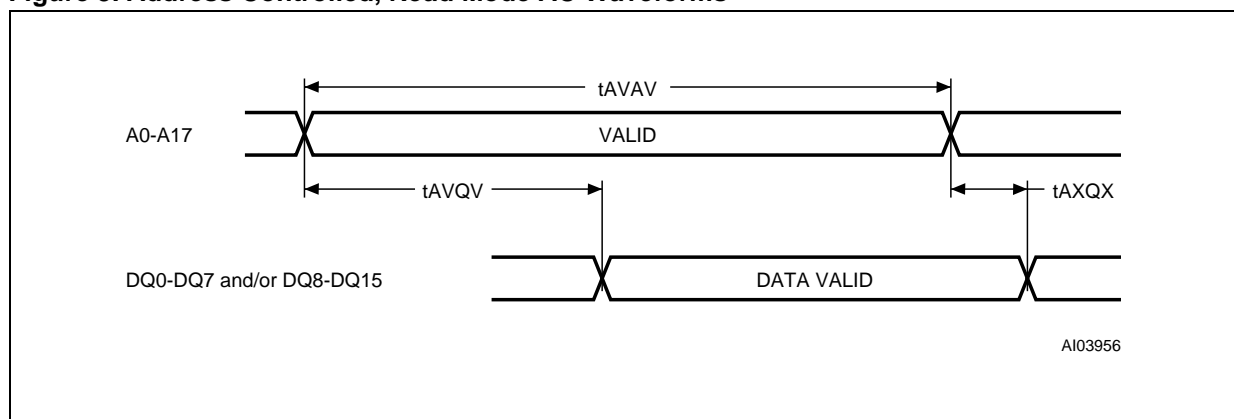
Note: 1. X = V_{IH} or V_{IL} .

Read Mode

The M68AW256M is in the Read mode whenever Write Enable (\overline{W}) is High with Output Enable (\overline{G}) Low, and Chip Enable (\overline{E}) is asserted. This provides access to data from eight or sixteen, depending on the status of the signal \overline{UB} and \overline{LB} , of the 4,194,304 locations in the static memory array, specified by the 18 address inputs. Valid data will be available at the eight or sixteen output pins

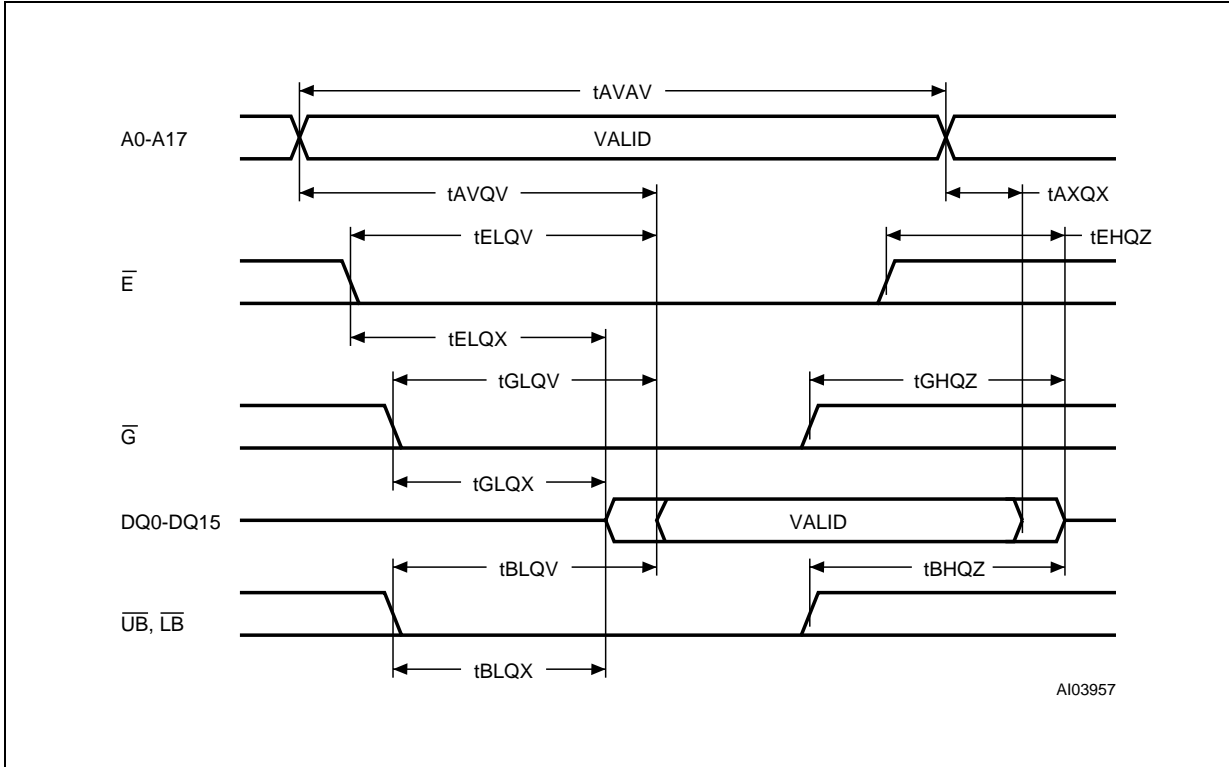
within t_{AVQV} after the last stable address, providing \overline{G} is Low and \overline{E} is Low. If Chip Enable or Output Enable access times are not met, data access will be measured from the limiting parameter (t_{ELQV} , t_{GLQV} or t_{BLQV}) rather than the address. Data out may be indeterminate at t_{ELQX} , t_{GLQX} and t_{BLQX} but data lines will always be valid at t_{AVQV} .

Figure 8. Address Controlled, Read Mode AC Waveforms



Note: $\overline{E} = \text{Low}$, $\overline{G} = \text{Low}$, $\overline{W} = \text{High}$, $\overline{UB} = \text{Low}$ and/or $\overline{LB} = \text{Low}$.

Figure 9. Chip Enable or Output Enable Controlled, Read Mode AC Waveforms.



Note: Write Enable (\bar{W}) = High.

Figure 10. Chip Enable or \bar{UB}/\bar{LB} Controlled, Standby Mode AC Waveforms

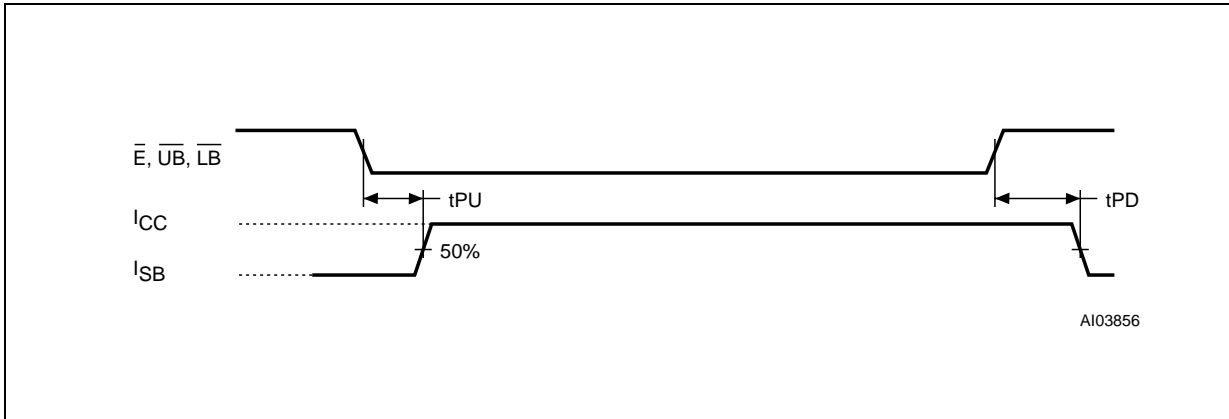


Table 7. Read and Standby Mode AC Characteristics

Symbol	Parameter		M68AW256M		Unit
			55	70	
t _{AVAV}	Read Cycle Time	Min	55	70	ns
t _{AVQV}	Address Valid to Output Valid	Max	55	70	ns
t _{AXQX} ⁽¹⁾	Data hold from address change	Min	5	5	ns
t _{BHQZ} ^(2,3)	Upper/Lower Byte Enable High to Output Hi-Z	Max	20	25	ns
t _{BLQV}	Upper/Lower Byte Enable Low to Output Valid	Max	55	70	ns
t _{BLQX} ⁽¹⁾	Upper/Lower Byte Enable Low to Output Transition	Min	5	5	ns
t _{EHQZ} ^(2,3)	Chip Enable High to Output Hi-Z	Max	20	25	ns
t _{ELQV}	Chip Enable Low to Output Valid	Max	55	70	ns
t _{ELQX} ⁽¹⁾	Chip Enable Low to Output Transition	Min	5	5	ns
t _{GHQZ} ^(2,3)	Output Enable High to Output Hi-Z	Max	20	25	ns
t _{GLQV}	Output Enable Low to Output Valid	Max	25	35	ns
t _{GLQX} ⁽²⁾	Output Enable Low to Output Transition	Min	5	5	ns
t _{PD} ⁽⁴⁾	Chip Enable or $\overline{UB}/\overline{LB}$ High to Power Down	Max	0	0	ns
t _{PU} ⁽⁴⁾	Chip Enable or $\overline{UB}/\overline{LB}$ Low to Power Up	Min	55	70	ns

Note: 1. Test conditions assume transition timing reference level = 0.3V_{CC} or 0.7V_{CC}.

2. At any given temperature and voltage condition, t_{GHQZ} is less than t_{GLQX}, t_{BHQZ} is less than t_{BLQX} and t_{EHQZ} is less than t_{ELQX} for any given device.

3. These parameters are defined as the time at which the outputs achieve the open circuit conditions and are not referenced to output voltage levels.

4. Tested initially and after any design or process changes that may affect these parameters.

M68AW256M

Write Mode

The M68AW256M is in the Write mode whenever the \overline{W} and \overline{E} are Low. Either the Chip Enable input (\overline{E}) or the Write Enable input (\overline{W}) must be deasserted during Address transitions for subsequent write cycles. When \overline{E} (\overline{W}) is Low, and \overline{UB} or \overline{LB} is Low, write cycle begins on the \overline{W} (\overline{E})'s falling edge. When \overline{E} and \overline{W} are Low, and $\overline{UB} = \overline{LB} = \text{High}$, write cycle begins on the first falling edge of \overline{UB} or \overline{LB} . Therefore, address setup time is referenced to Write Enable, Chip Enable or $\overline{UB}/\overline{LB}$ as t_{AVWL} , t_{AVEL} and t_{AVBL} respectively, and is determined by the latter occurring edge.

The Write cycle can be terminated by the earlier rising edge of \overline{E} , \overline{W} or $\overline{UB}/\overline{LB}$.

If the Output is enabled ($\overline{E} = \text{Low}$, $\overline{G} = \text{Low}$, \overline{LB} or $\overline{UB} = \text{Low}$), then \overline{W} will return the outputs to high impedance within t_{WLQZ} of its falling edge. Care must be taken to avoid bus contention in this type of operation. Data input must be valid for t_{DVWH} before the rising edge of Write Enable, or for t_{DVH} before the rising edge of \overline{E} , or for t_{DVBL} before the rising edge of $\overline{UB}/\overline{LB}$ whichever occurs first, and remain valid for t_{WHDX} , t_{EHDX} and t_{BHDX} respectively.

Figure 11. Write Enable Controlled, Write AC Waveforms

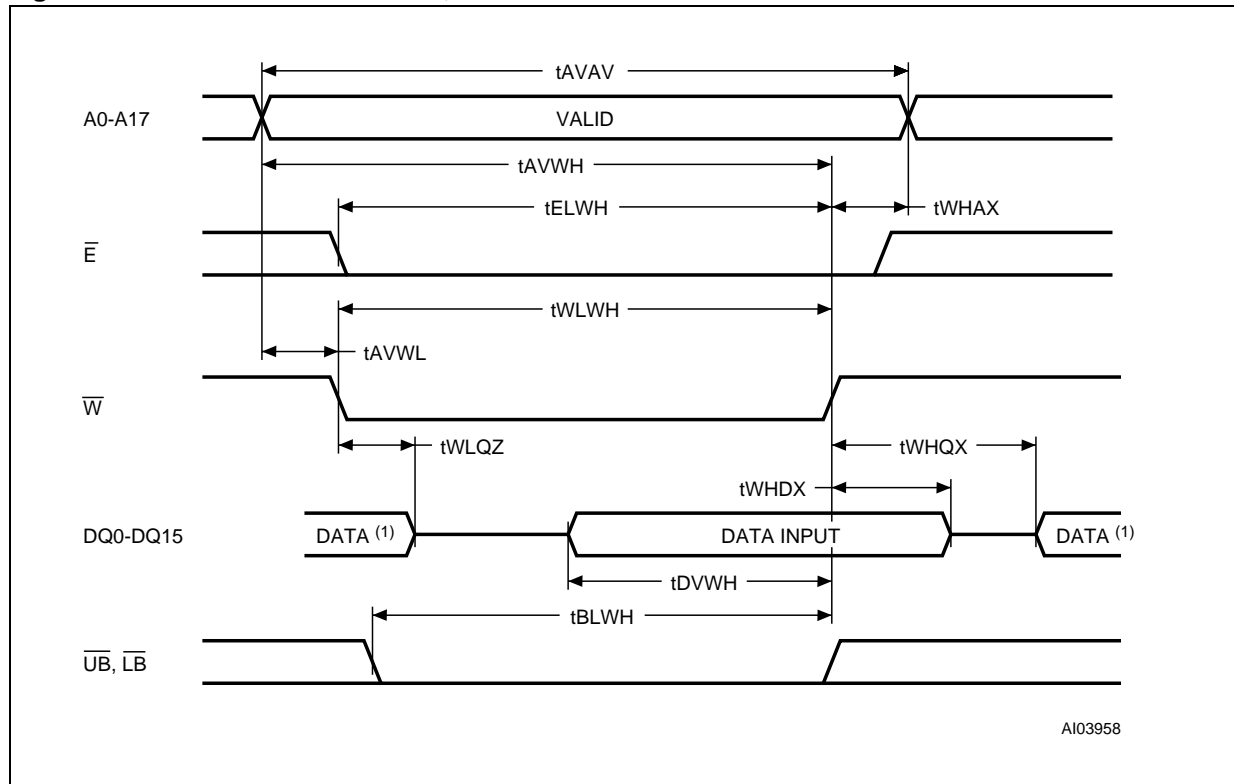
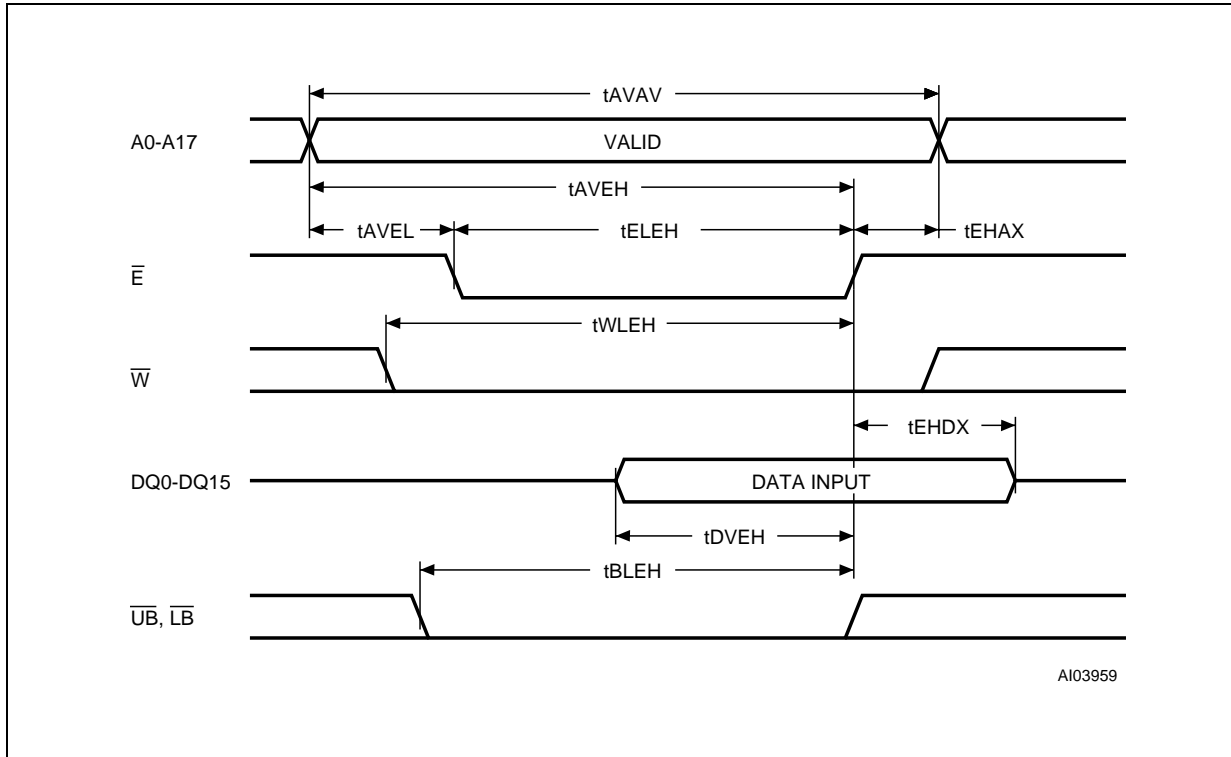
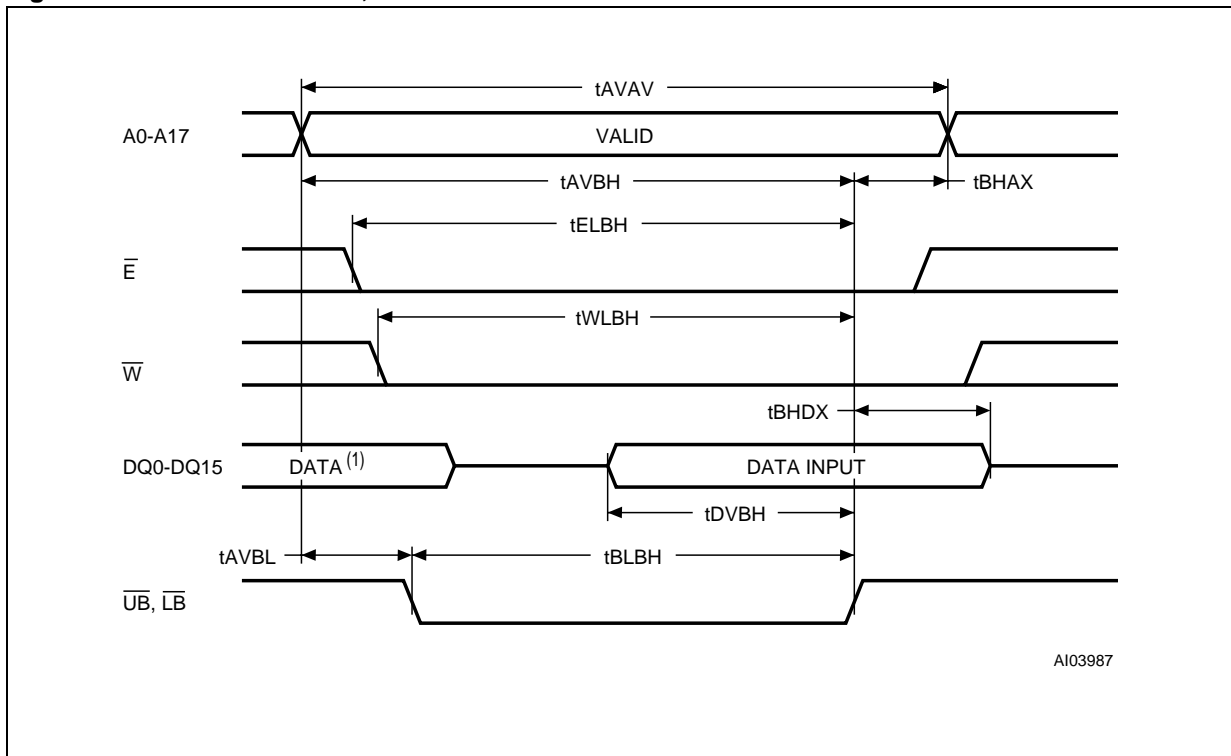


Figure 12. Chip Enable Controlled, Write AC Waveforms

Figure 13. \bar{UB}/\bar{LB} Controlled, Write AC Waveforms

Note: 1. During this period DQ0-DQ15 are in output state and input signals should not be applied.

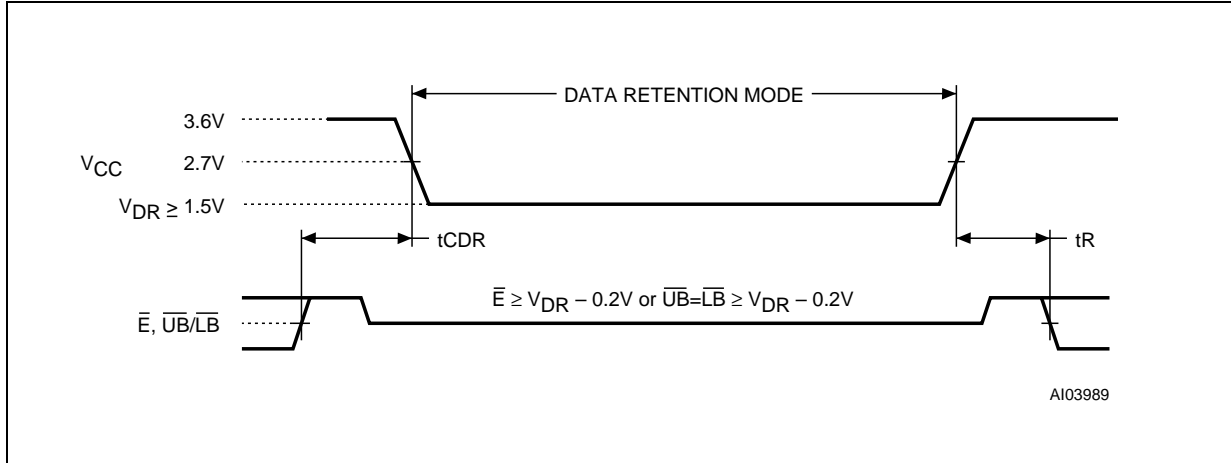
M68AW256M

Table 8. Write Mode AC Characteristics

Symbol	Parameter		M68AW256M		Unit
			55	70	
t _{AVAV}	Write Cycle Time	Min	55	70	ns
t _{AVBH}	Address Valid to \overline{LB} , \overline{UB} High	Min	45	60	ns
t _{AVBL}	Address Valid to \overline{LB} , \overline{UB} Low	Min	0	0	ns
t _{AVEH}	Address Valid to Chip Enable High	Min	45	60	ns
t _{AVEL}	Address valid to Chip Enable Low	Min	0	0	ns
t _{AVWH}	Address Valid to Write Enable High	Min	45	60	ns
t _{AVWL}	Address Valid to Write Enable Low	Min	0	0	ns
t _{BHAX}	\overline{LB} , \overline{UB} High to Address Transition	Min	0	0	ns
t _{BHDX}	\overline{LB} , \overline{UB} High to Input Transition	Min	0	0	ns
t _{BLBH}	\overline{LB} , \overline{UB} Low to \overline{LB} , \overline{UB} High	Min	45	60	ns
t _{BLEH}	\overline{LB} , \overline{UB} Low to Chip Enable High	Min	45	60	ns
t _{BLWH}	\overline{LB} , \overline{UB} Low to Write Enable High	Min	45	60	ns
t _{DVBH}	Input Valid to \overline{LB} , \overline{UB} High	Min	25	30	ns
t _{DVEH}	Input Valid to Chip Enable High	Min	25	30	ns
t _{DVWH}	Input Valid to Write Enable High	Min	25	30	ns
t _{EHAX}	Chip Enable High to Address Transition	Min	0	0	ns
t _{EHDX}	Chip enable High to Input Transition	Min	0	0	ns
t _{ELBH}	Chip Enable Low to \overline{LB} , \overline{UB} High	Min	45	60	ns
t _{ELEH}	Chip Enable Low to Chip Enable High	Min	45	60	ns
t _{ELWH}	Chip Enable Low to Write Enable High	Min	45	60	ns
t _{WHAX}	Write Enable High to Address Transition	Min	0	0	ns
t _{WHDX}	Write Enable High to Input Transition	Min	0	0	ns
t _{WHQX} ⁽¹⁾	Write Enable High to Output Transition	Min	5	5	ns
t _{WLBH}	Write Enable Low to \overline{LB} , \overline{UB} High	Min	45	60	ns
t _{WLEH}	Write Enable Low to Chip Enable High	Min	45	60	ns
t _{WLQZ} ^(1,2)	Write Enable Low to Output Hi-Z	Max	20	20	ns
t _{WLWH}	Write Enable Low to Write Enable High	Min	45	60	ns

Note: 1. At any given temperature and voltage condition, t_{WLQZ} is less than t_{WHQX} for any given device.

2. These parameters are defined as the time at which the outputs achieve the open circuit conditions and are not referenced to output voltage levels.

Figure 14. Low V_{CC} Data Retention AC WaveformsTable 9. Low V_{CC} Data Retention Characteristics

Symbol	Parameter	Test Condition	Min	Typ	Max	Unit
$I_{CCDR}^{(1)}$	Supply Current (Data Retention)	$V_{CC} = 1.5V, \bar{E} \geq V_{CC} - 0.2V$ or $\bar{UB} = \bar{LB} \geq V_{CC} - 0.2V, f = 0^{(3)}$		4.5	9	μA
$t_{CDR}^{(1,2)}$	Chip Deselected to Data Retention Time		0			ns
$t_R^{(2)}$	Operation Recovery Time		t_{AVAV}			ns
$V_{DR}^{(1)}$	Supply Voltage (Data Retention)	$\bar{E} \geq V_{CC} - 0.2V$ or $\bar{UB} = \bar{LB} \geq V_{CC} - 0.2V, f = 0$	1.5			V

Note: 1. All other Inputs at $V_{IH} \geq V_{CC} - 0.2V$ or $V_{IL} \leq 0.2V$.

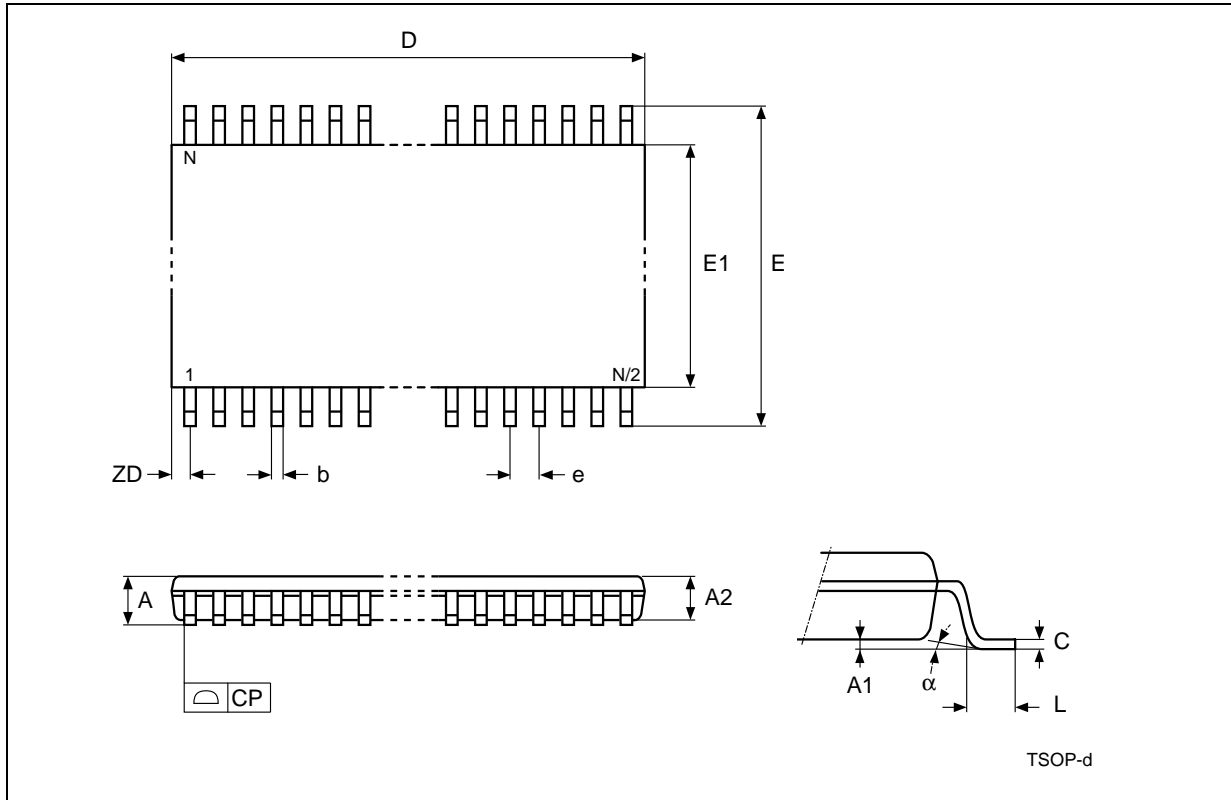
2. Tested initially and after any design or process changes that may affect these parameters. t_{AVAV} is Read cycle time.

3. No input may exceed $V_{CC} + 0.2V$.

M68AW256M

PACKAGE MECHANICAL

Figure 15. TSOP44 Type II - 44 lead Plastic Thin Small Outline Type II, Package Outline

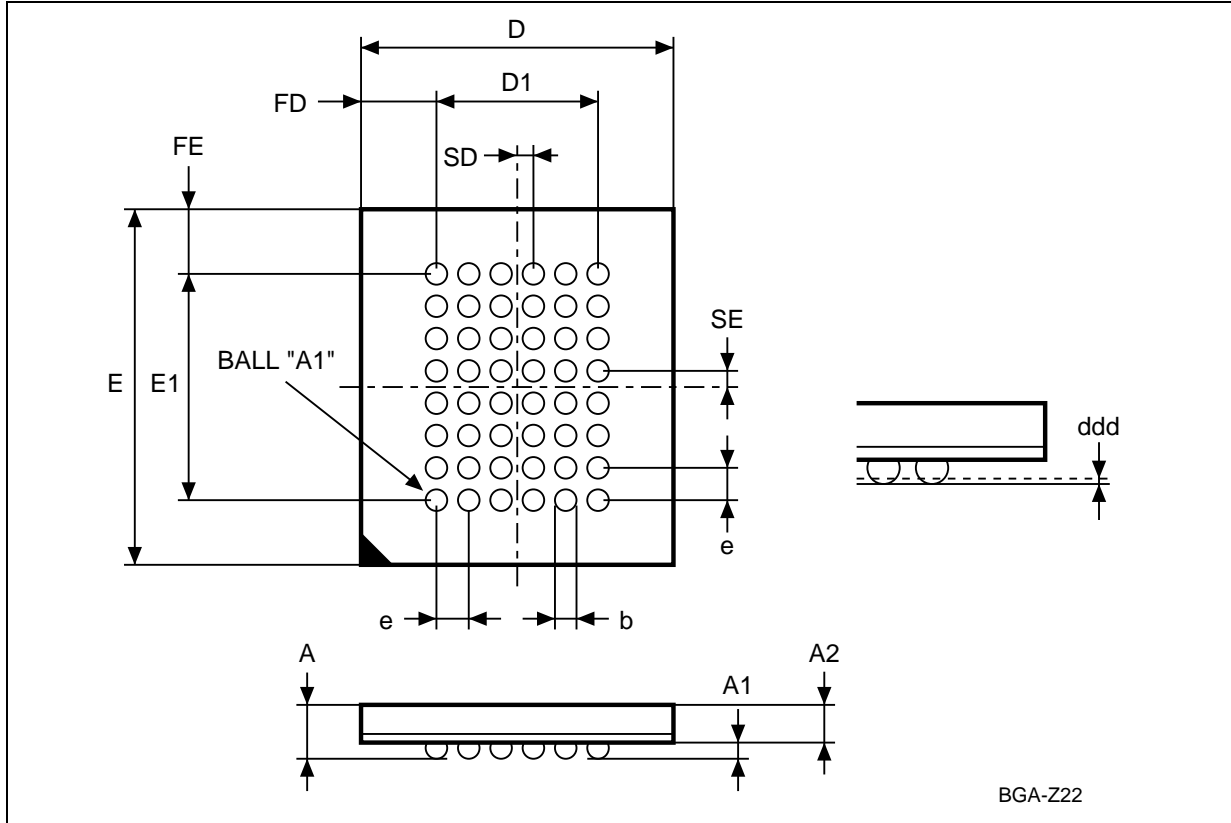


Note: Drawing is not to scale.

Table 10. TSOP 44 Type II - 44 lead Plastic Thin Small Outline Type II, Package Mechanical Data

Symbol	millimeters			inches		
	Typ	Min	Max	Typ	Min	Max
A			1.200			0.0472
A1		0.050	0.150		0.0020	0.0059
A2		0.950	1.050		0.0374	0.0413
b	0.350			0.0138		
c		0.120	0.210		0.0047	0.0083
D	18.410	–	–	0.7248	–	–
E	11.760	–	–	0.4630	–	–
E1	10.160	–	–	0.4000	–	–
e	0.800	–	–	0.0315	–	–
L	0.500	0.400	0.600	0.0197	0.0157	0.0236
ZD	0.805	–	–	0.0317	–	–
alfa		0	5		0	5
CP			0.100			0.0039
N		44			44	

Figure 16. TFBGA48 7x8mm - 6x8 ball array, 0.75 mm pitch, Bottom View Package Outline



Note: Drawing is not to scale.

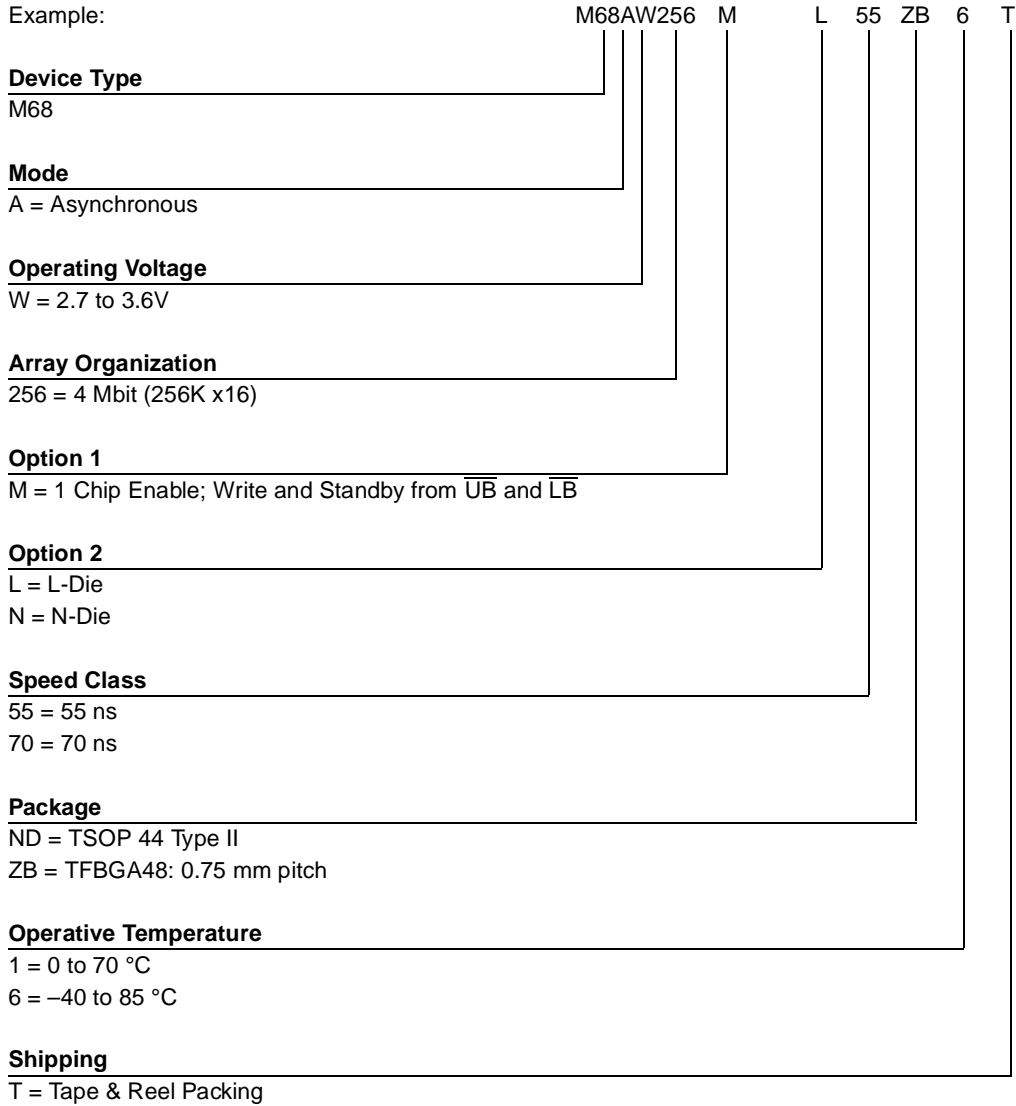
Table 11. TFBGA48 7x8mm - 6x8 ball array, 0.75 mm pitch, Package Mechanical Data

Symbol	millimeters			inches		
	Typ	Min	Max	Typ	Min	Max
A		1.010	1.200		0.0398	0.0472
A1		0.260			0.0102	
A2			0.950			0.0374
b	0.400	0.300	0.500	0.0157	0.0118	0.0197
D	7.000	6.900	7.100	0.2756	0.2717	0.2795
D1	3.750	–	–	0.1476	–	–
ddd			0.100			0.0039
E	8.000	7.900	8.100	0.3150	0.3110	0.3189
E1	5.250	–	–	0.2067	–	–
e	0.750	–	–	0.0295	–	–
FD	1.625	–	–	0.0640	–	–
FE	1.375	–	–	0.0541	–	–
SD	0.375	–	–	0.0148	–	–
SE	0.375	–	–	0.0148	–	–

M68AW256M

PART NUMBERING

Table 12. Ordering Information Scheme



For a list of available options (Speed, Package, etc...) or for further information on any aspect of this device, please contact the STMicroelectronics Sales Office nearest to you.

REVISION HISTORY**Table 13. Document Revision History**

Date	Version	Revision Details
February 2002	-01	First Issue
13-Mar-2002	-02	Tables 3, 7 and 9 clarified Figure 14 clarified
17-Jun-2002	-03	ICCDR clarified (Table 9) ISB clarified (Table 5)
09-Oct-2002	3.1	Revision numbering modified: a minor revision will be indicated by incrementing the digit after the dot, and a major revision, by incrementing the digit before the dot (revision version 03 equals 3.0). Part number modified.

Information furnished is believed to be accurate and reliable. However, STMicroelectronics assumes no responsibility for the consequences of use of such information nor for any infringement of patents or other rights of third parties which may result from its use. No license is granted by implication or otherwise under any patent or patent rights of STMicroelectronics. Specifications mentioned in this publication are subject to change without notice. This publication supersedes and replaces all information previously supplied. STMicroelectronics products are not authorized for use as critical components in life support devices or systems without express written approval of STMicroelectronics.

The ST logo is registered trademark of STMicroelectronics
All other names are the property of their respective owners.

© 2002 STMicroelectronics - All Rights Reserved

STMicroelectronics GROUP OF COMPANIES

Australia - Brazil - Canada - China - Finland - France - Germany - Hong Kong - India - Israel - Italy - Japan - Malaysia - Malta -
Morocco - Singapore - Spain - Sweden - Switzerland - United Kingdom - United States

www.st.com