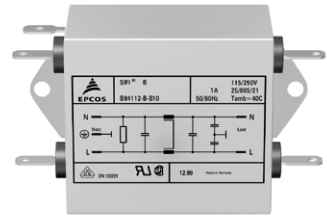


SIFI-B for enhanced insertion loss
Rated voltage 250 V~, 50/60 Hz
Rated current 1 A to 20 A

Construction

- Two-line filter
- Metal case
- Polyurethane potting (UL 94 V-0)



Features

- Compact design
- Low leakage current
- All relevant approvals
- Cost-optimized construction
- Also for assembly on top-hat rails

Applications

- Switch-mode power supplies in
 - industrial electronics
 - telecommunications
 - data systems
 - medical engineering

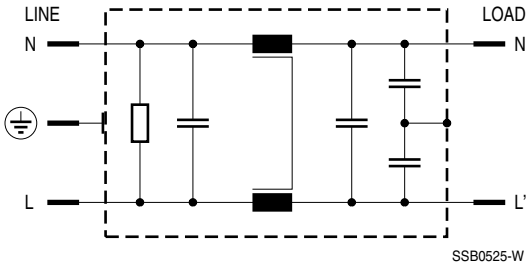
Case styles and terminal styles


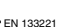


- | | |
|--------------|--|
| Case style A | Tab connectors on face ends, lateral mounting tabs. Particularly suitable for mounting on a shielding wall. |
| Case style B | Tab connectors on face ends, mounting tabs on face ends. |
| Case style K | IEC connector as per IEC 60320 C 14 on line side, tab connectors on load side, mounting holes with metric thread. |
| Case style L | Litz wires on face ends |
| Case style P | Pins fitting PCB standard grid |

Marking

Marking on component:
 Manufacturer's logo, ordering code,
 rated voltage, rated current,
 date code

Minimum marking on packaging:
 Manufacturer's logo, ordering code

Circuit diagram

Technical data

| | |
|----------------------------|---|
| Rated voltage V_R | 250 V~, 50/60 Hz |
| Rated current I_R | Referred to 40 °C ambient temperature |
| Test voltage V_P | 1414 V~, 2 s (line/line) 2700 V~, 2 s (lines/case) |
| Leakage current I_{leak} | < 0,5 mA at 230 V~, 50 Hz |
| Discharge resistors | The discharge resistors are rated such that one second after having disconnected the device from the power line, the voltage at the line connector should have dropped to 34 V. |
| Climatic category | In accordance with EN 60068-1 25/085/21 (- 25 °C/+ 85 °C/21 days damp heat test) |
| Approvals |     |

Characteristics and ordering codes

| I_R | C_R | L_R | Case style | Appr. weight g | Ordering code | Mounting plate for top-hat rail (ordering code) |
|-------|---|------------|-----------------------|---------------------------------|--|---|
| A | | | | | | |
| 1 | 2 × 0,15 µF (X2) + 2 × 4700 pF (Y2) | 2 × 10 mH | A B K L | 110 110 140 110 | B84112-B-A10 B84112-B-B10 B84112-B-K10 B84112-B-L10 | — C62122-A132-B91 — — |
| 2 | 2 × 0,15 µF (X2) + 2 × 4700 pF (Y2) | 2 × 10 mH | A B L | 110 110 110 | B84112-B-A20 B84112-B-B20 B84112-B-L20 | — C62122-A132-B91 — |
| 3 | 2 × 0,22 µF (X2) + 2 × 4700 pF (Y2) | 2 × 10 mH | A B K L P | 140 140 210 140 140 | B84112-B-A30 B84112-B-B30 B84112-B-K30 B84112-B-L30 B84112-B-P30 | — C62122-A132-B92 — — — |
| 6 | 2 × 0,33 µF (X2) + 2 × 4700 pF (Y2) | 2 × 3,3 mH | A B K L | 150 150 210 150 | B84112-B-A60 B84112-B-B60 B84112-B-K60 B84112-B-L60 | — C62122-A132-B92 — — |
| 10 | 2 × 0,47 µF (X2) + 2 × 4700 pF (Y2) | 2 × 1,8 mH | A B L | 200 200 200 | B84112-B-A110 B84112-B-B110 B84112-B-L110 | — C62122-A132-B92 — |
| 20 | 2 × 0,68 µF (X2) + 2 × 4700 pF (Y2) | 2 × 1,8 mH | A B | 700 700 | B84112-B-A120 B84112-B-B120 | — C62122-A132-B92 |

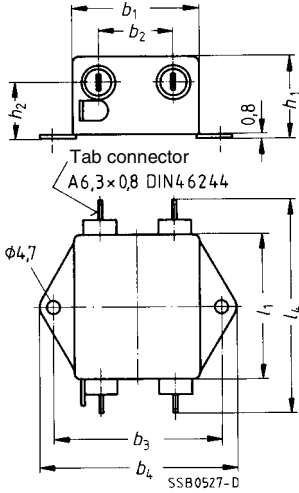
Case styles and dimensions

| Case style | Ordering code B84112- | Dimensions in mm | | | | | | | | | | | |
|------------|--------------------------|-------------------------|-------|-------|-------|-------|-------|-------|-------|-------|-------|-------------------------|---------------|
| | | b_1 | b_2 | b_3 | b_4 | l_1 | l_2 | l_3 | l_4 | h_1 | h_2 | Litz mm ² | Style 1015 |
| A | -B-A10 | 45 | 26,5 | 60,4 | 70 | 50 | — | — | 76,5 | 28,6 | 20 | — | — |
| B | -B-B10 | 45 | 26,5 | — | — | 50 | 60,4 | 70 | 76,5 | 28,6 | 20 | — | — |
| K | -B-K10 | 51 | — | — | — | 63,5 | — | — | — | 32 | — | — | — |
| L | -B-L10 | 45 | — | — | — | 50 | 60,4 | 70 | — | 28,6 | — | 0,82 | AWG18 |
| A | -B-A20 | 45 | 26,5 | 60,4 | 70 | 50 | — | — | 76,5 | 28,6 | 20 | — | — |
| B | -B-B20 | 45 | 26,5 | — | — | 50 | 60,4 | 70 | 76,5 | 28,6 | 20 | — | — |
| L | -B-L20 | 45 | — | — | — | 50 | 60,4 | 70 | — | 28,6 | — | 0,82 | AWG18 |
| A | -B-A30 | 50,8 | 31,5 | 60,4 | 70 | 63,5 | — | — | 89,5 | 28,6 | 20 | — | — |
| B | -B-B30 | 50,8 | 31,5 | — | — | 63,5 | 74,7 | 84,5 | 89,5 | 28,6 | 20 | — | — |
| K | -B-K30 | 50,8 | — | — | — | 79,5 | — | — | — | 32 | — | — | — |
| L | -B-L30 | 50,8 | — | — | — | 63,5 | 74,7 | 84,5 | — | 28,6 | — | 0,82 | AWG18 |
| P | -B-P30 | see dimensional drawing | | | | | | | | | | | |
| A | -B-A60 | 50,8 | 31,5 | 60,4 | 70 | 63,5 | — | — | 89,5 | 28,6 | 20 | — | — |
| B | -B-B60 | 50,8 | 31,5 | — | — | 63,5 | 74,7 | 84,5 | 89,5 | 28,6 | 20 | — | — |
| K | -B-K60 | 50,8 | — | — | — | 79,5 | — | — | — | 32 | — | — | — |
| L | -B-L60 | 50,8 | — | — | — | 63,5 | 74,7 | 84,5 | — | 28,6 | — | 0,82 | AWG18 |
| A | -B-A110 | 50,8 | 31,5 | 60,4 | 70 | 63,5 | — | — | 89,5 | 38,1 | 28 | — | — |
| B | -B-B110 | 50,8 | 31,5 | — | — | 63,5 | 74,7 | 84,5 | 89,5 | 38,1 | 28 | — | — |
| L | -B-L110 | 50,8 | — | — | — | 63,5 | 74,7 | 84,5 | — | 38,1 | — | 1,35 | AWG16 |
| A | -B-A120 | see dimensional drawing | | | | | | | | | | | |
| B | -B-B120 | see dimensional drawing | | | | | | | | | | | |

Case style A

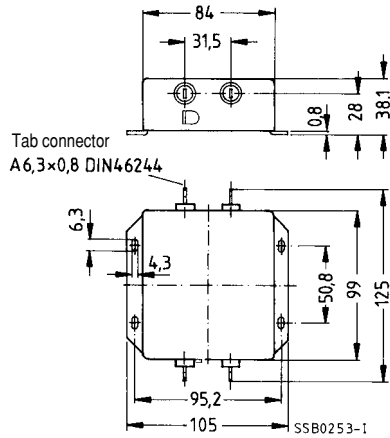
B84112-B-A10 ...

B84112-B-A110



Case style A

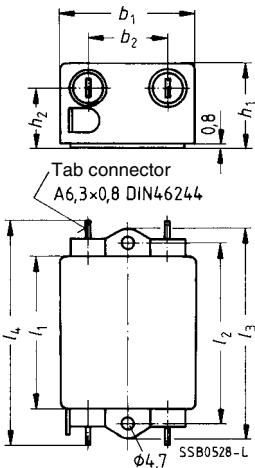
B84112-B-A120



Case style B

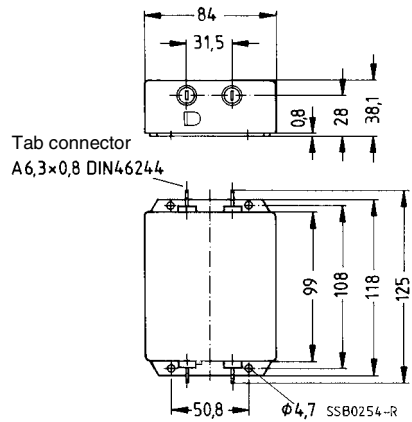
B84112-B-B10 ...

B84112-B-B110

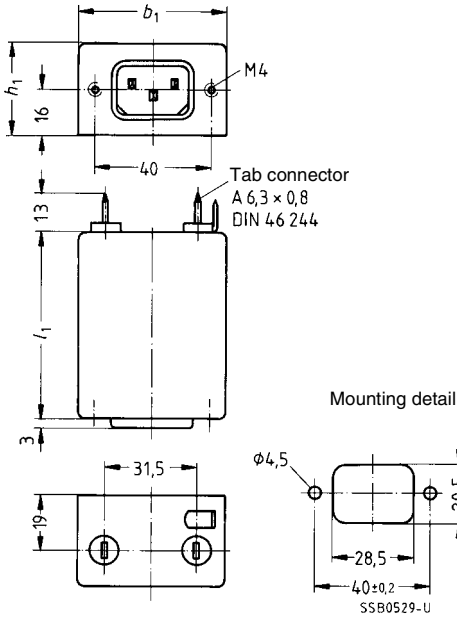


Case style B

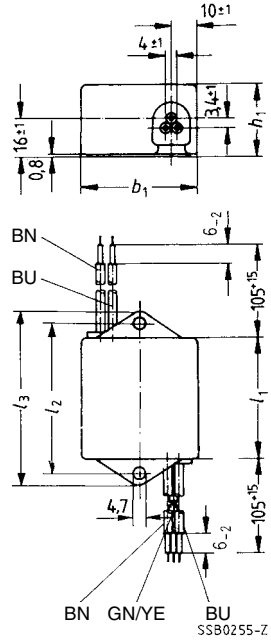
B84112-B-B120



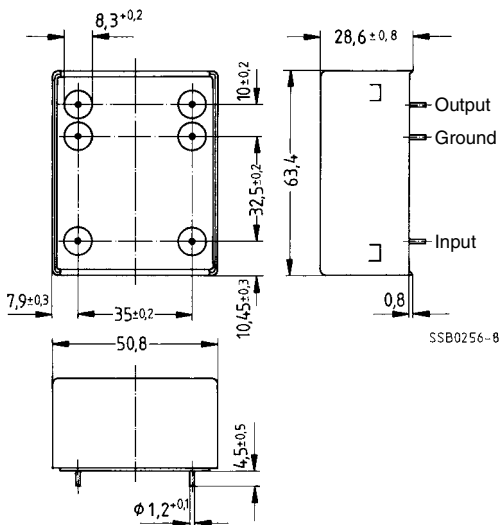
Case style K



Case style L



Case style P

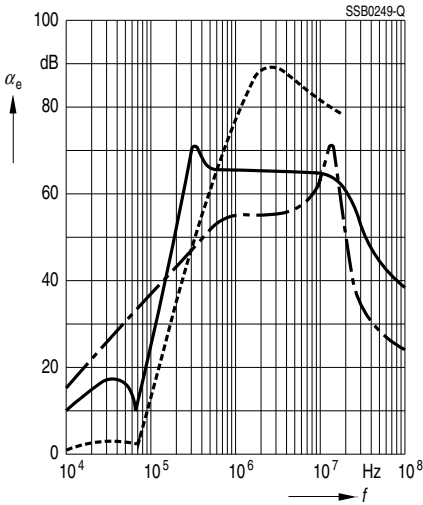


Insertion loss (typical values at $Z = 50 \Omega$)

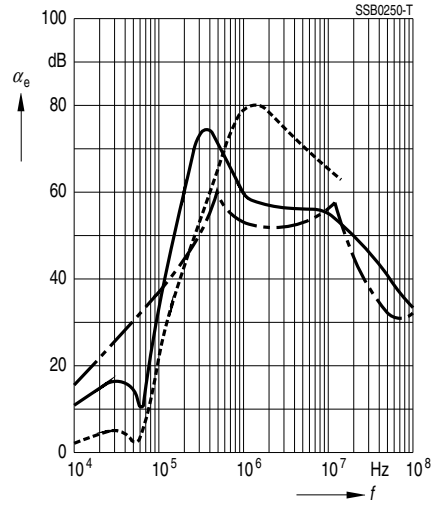
- unsymmetrical, adjacent branches terminated
- - - - - common mode, all branches in parallel (asymmetrical)
- - - - - differential mode (symmetrical)

B84112-B-*10

B84112-B-*20

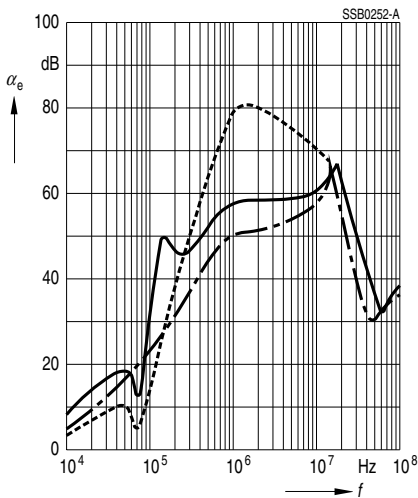


B84112-B-*30

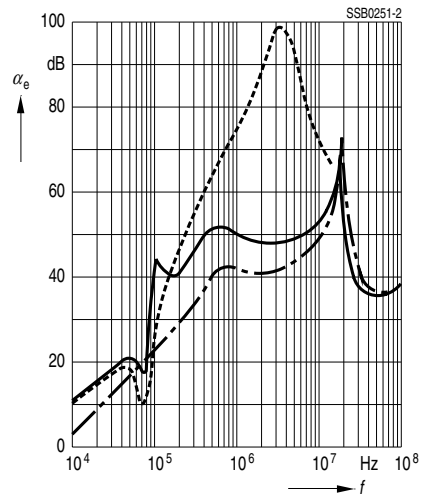


B84112-B-*60

B84112-B-*110



B84112-B-*120



Herausgegeben von EPCOS AG

Marketing Kommunikation, Postfach 80 17 09, 81617 München, DEUTSCHLAND

© EPCOS AG 2000. Alle Rechte vorbehalten. Vervielfältigung, Veröffentlichung, Verbreitung und Verwertung dieser Broschüre und ihres Inhalts ohne ausdrückliche Genehmigung der EPCOS AG nicht gestattet.

Mit den Angaben in dieser Broschüre werden die Bauelemente spezifiziert, keine Eigenschaften zugesichert. Bestellungen unterliegen den vom ZVEI empfohlenen Allgemeinen Lieferbedingungen für Erzeugnisse und Leistungen der Elektroindustrie, soweit nichts anderes vereinbart wird.

Diese Broschüre ersetzt die vorige Ausgabe.

Fragen über Technik, Preise und Liefermöglichkeiten richten Sie bitte an den Ihnen nächstgelegenen Vertrieb der EPCOS AG oder an unsere Vertriebsgesellschaften im Ausland.

Bauelemente können aufgrund technischer Erfordernisse Gefahrstoffe enthalten. Auskünfte darüber bitten wir unter Angabe des betreffenden Typs ebenfalls über die zuständige Vertriebsgesellschaft einzuholen.

Published by EPCOS AG

Marketing Communications, P.O. Box 80 17 09, 81617 Munich, GERMANY

© EPCOS AG 2000. All Rights Reserved. Reproduction, publication and dissemination of this brochure and the information contained therein without EPCOS' prior express consent is prohibited.

The information contained in this brochure describes the type of component and shall not be considered as guaranteed characteristics. Purchase orders are subject to the General Conditions for the Supply of Products and Services of the Electrical and Electronics Industry recommended by the ZVEI (German Electrical and Electronic Manufacturers' Association), unless otherwise agreed.

This brochure replaces the previous edition.

For questions on technology, prices and delivery please contact the Sales Offices of EPCOS AG or the international Representatives.

Due to technical requirements components may contain dangerous substances. For information on the type in question please also contact one of our Sales Offices.