

Power Transistors



2SB949, 2SB949A

Silicon PNP epitaxial planar type Darlington

For power amplification and switching

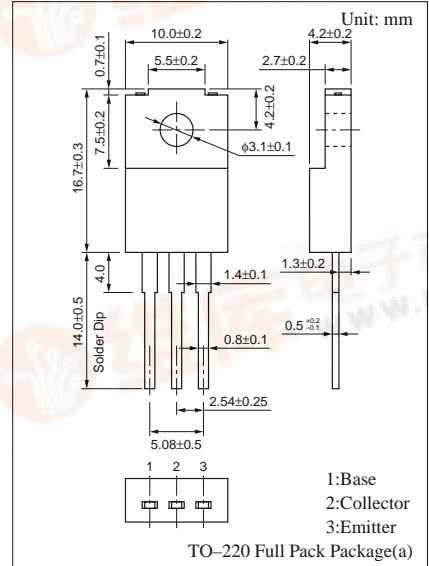
Complementary to 2SD1275 and 2SD1275A

Features

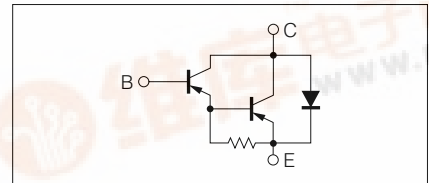
- High forward current transfer ratio h_{FE}
- High-speed switching
- Full-pack package which can be installed to the heat sink with one screw

Absolute Maximum Ratings ($T_C=25^\circ\text{C}$)

Parameter	Symbol	Ratings	Unit
Collector to base voltage	V_{CBO}	-60	V
Collector to emitter voltage	V_{CEO}	-60	V
Emitter to base voltage	V_{EBO}	-5	V
Peak collector current	I_{CP}	-4	A
Collector current	I_C	-2	A
Collector power dissipation	P_C	35	W
Junction temperature	T_j	150	$^\circ\text{C}$
Storage temperature	T_{stg}	-55 to +150	$^\circ\text{C}$



Internal Connection



Electrical Characteristics ($T_C=25^\circ\text{C}$)

Parameter	Symbol	Conditions	min	typ	max	Unit
Collector cutoff current	I_{CBO}	$V_{CB} = -60\text{V}, I_E = 0$			-1	mA
Collector cutoff current	I_{CEO}	$V_{CB} = -80\text{V}, I_E = 0$			-1	mA
Collector cutoff current	I_{CEO}	$V_{CB} = -30\text{V}, I_B = 0$			-2	mA
Collector cutoff current	I_{CEO}	$V_{CB} = -40\text{V}, I_B = 0$			-2	mA
Emitter cutoff current	I_{EBO}	$V_{EB} = -5\text{V}, I_C = 0$			-2	mA
Collector to emitter voltage	V_{CEO}	$I_C = -30\text{mA}, I_B = 0$	-60		-80	V
Forward current transfer ratio	h_{FE1}	$V_{CE} = -4\text{V}, I_C = -1\text{A}$	1000			
Forward current transfer ratio	h_{FE2}^*	$V_{CE} = -4\text{V}, I_C = -2\text{A}$	2000		10000	
Base to emitter voltage	V_{BE}	$V_{CE} = -4\text{V}, I_C = -2\text{A}$			-2.8	V
Collector to emitter saturation voltage	$V_{CE(sat)}$	$I_C = -2\text{A}, I_B = -8\text{mA}$			-2.5	V
Transition frequency	f_T	$V_{CE} = -10\text{V}, I_C = -0.5\text{A}, f = 1\text{MHz}$		20		MHz
Turn-on time	t_{on}	$I_C = -2\text{A}, I_{B1} = -8\text{mA}, I_{B2} = 8\text{mA}$		0.4		μs
Storage time	t_{stg}	$V_{CC} = -50\text{V}$		1.5		μs
Fall time	t_f	$V_{CC} = -50\text{V}$		0.5		μs



PDF Rank Classification

Rank	Q	P
h_{FE2}	2000 to 5000	4000 to 10000

Power Transistors

2SB949, 2SB949A

