

# Video signal switcher

## BA7602 / BA7602F

The BA7602 and BA7602F are switching ICs developed for use in VCRs. Each contains three two-channel analog multiplexers. They feature a large dynamic range, and wide operating frequency range, and are suitable for switching audio and video signals.

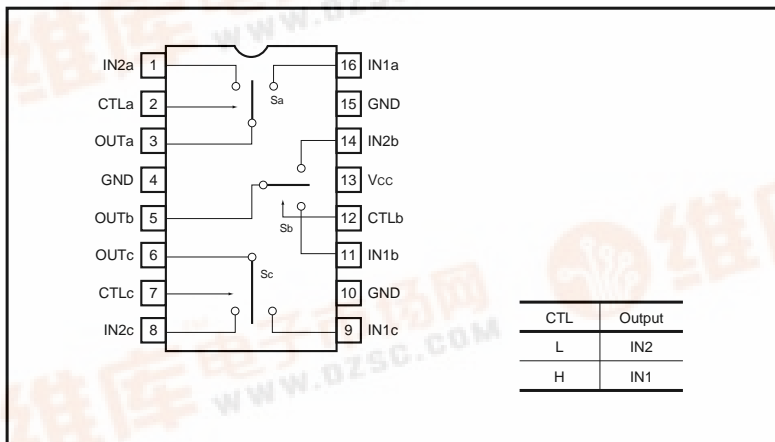
### ●Applications

Video cassette recorders and televisions

### ●Features

- 1) Three 2-input / 1-output switches.
- 2) 5V power supply.
- 3) Low power consumption (70mW Typ.).
- 4) Excellent frequency characteristics (10MHz, 0dB Typ.).
- 5) Wide dynamic range (3.1V<sub>P-P</sub> Typ.).
- 6) High input impedance (20kΩ Typ.).
- 7) Fast switching speed (50ns Typ.).

### ●Block diagram



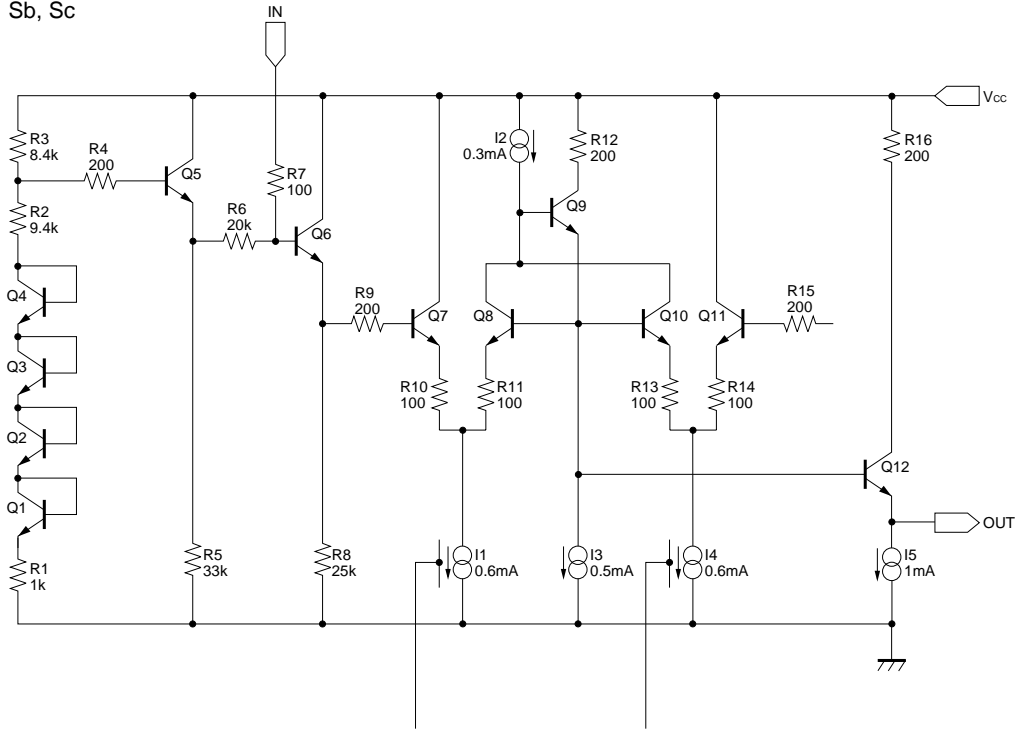
### ●Absolute maximum ratings (Ta = 25°C)

Parameter	Symbol	Limits	Unit
Power supply voltage	V <sub>cc</sub>	9	V
Power dissipation	P <sub>d</sub>	500*	mW
Operating temperature	T <sub>opr</sub>	-40 ~ +85	°C
Storage temperature	T <sub>stg</sub>	-55 ~ +125	°C

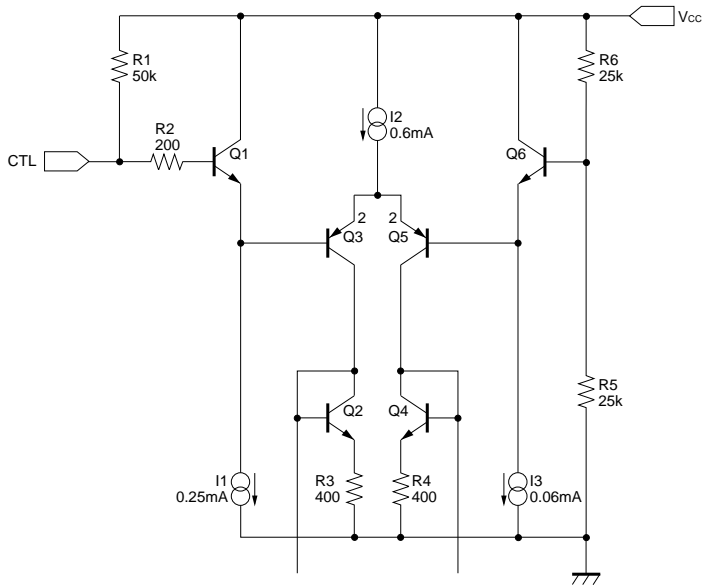
\* Reduced by 5.0mW for each increase in Ta of 1°C over 25°C

●Equivalent circuits

Sa, Sb, Sc



CTL



●Electrical characteristics (unless otherwise noted, Ta = 25°C, V<sub>CC</sub> = 5.0V)

Parameter	Symbol	Min.	Typ.	Max.	Unit	Conditions
Operating voltage	V <sub>CC</sub>	4.5	5.0	5.5	V	—
Supply current	I <sub>CC</sub>	—	14.0	20.5	mA	—
Maximum output level	V <sub>om</sub>	2.8	3.1	—	V <sub>P-P</sub>	f = 1kHz, THD = 0.5%
Voltage gain	G <sub>V</sub>	- 0.5	0	0.5	dB	f = 1MHz, V <sub>IN</sub> = 1V <sub>P-P</sub>
Interchannel crosstalk	C <sub>T</sub>	—	- 65	—	dB	f = 4.43MHz, V <sub>IN</sub> = 1V <sub>P-P</sub>
Frequency characteristic	G <sub>f</sub>	- 3	0	1	dB	10MHz / 1MHz, V <sub>IN</sub> = 1V <sub>P-P</sub>
Input impedance	Z <sub>IN</sub>	14	20	26	kΩ	—
CTL pin switch level	V <sub>TH</sub>	20	2.5	3.0	V	—

Note: Refer to the measurement circuit given in Fig. 1.

●Reference data

Pin DC voltages (reference values)

Units: Vdc

Pin No.	DC voltage	Pin No.	DC voltage
1	3.27	9	3.27
2	4.91	10	0
3	1.84	11	3.27
4	0	12	4.91
5	1.84	13	5.00
6	1.84	14	3.27
7	4.91	15	0
8	3.27	16	3.27

Electrical characteristics

Parameter	Min.	Typ.	Max.	Unit
Input impedance (no clamp)	—	20k	—	Ω
Output impedance	—	30	—	Ω

The input coupling capacitor values should be 0.1μF to 1μF.

● Measurement circuit

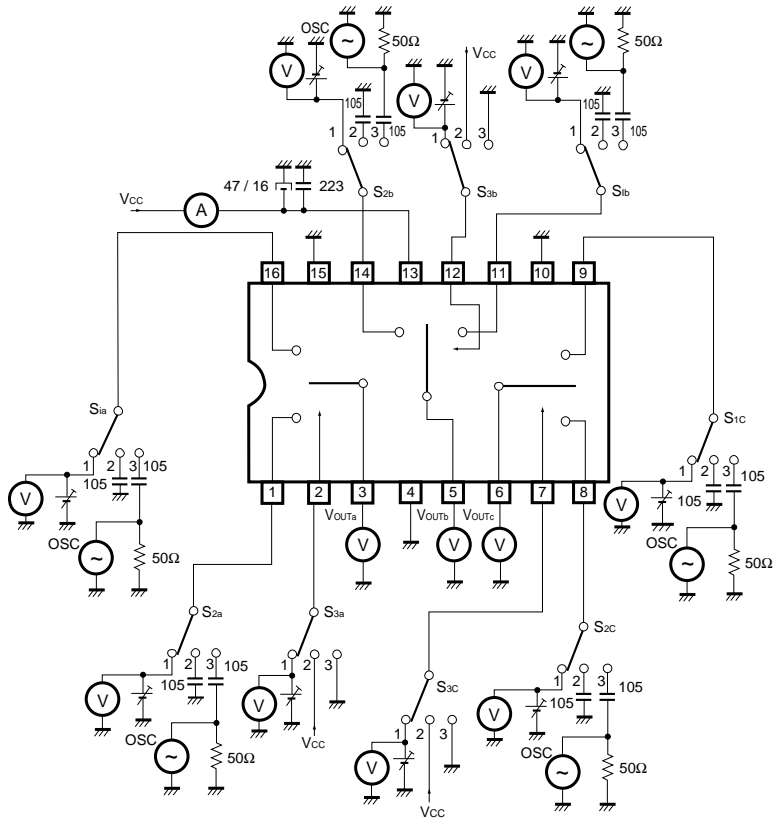


Fig.1

●Measurement conditions

Parameter		Symbol	Switch settings									Measurement method
			S <sub>1a</sub>	S <sub>2a</sub>	S <sub>3a</sub>	S <sub>1b</sub>	S <sub>2b</sub>	S <sub>3b</sub>	S <sub>1c</sub>	S <sub>2c</sub>	S <sub>3c</sub>	
Current dissipation		I <sub>CC</sub>	2	2	2	2	2	2	2	2	2	
Maximum output level	IN1a	V <sub>Om</sub>	3	2	2	2	2	2	2	2	2	f = 1kHz THD = 0.5% Note 1
	IN2a	V <sub>Om</sub>	2	3	3	2	2	2	2	2	2	
	IN1b	V <sub>Om</sub>	2	2	2	3	2	2	2	2	2	
	IN2b	V <sub>Om</sub>	2	2	2	2	3	3	2	2	2	
	IN1c	V <sub>Om</sub>	2	2	2	2	2	2	3	2	2	
	IN2c	V <sub>Om</sub>	2	2	2	2	2	2	2	3	3	
Voltage gain	IN1a	G <sub>V</sub>	3	2	2	2	2	2	2	2	2	f = 1kHz V = 1V <sub>PP</sub> Note 2
	IN2a	G <sub>V</sub>	2	3	3	2	2	2	2	2	2	
	IN1b	G <sub>V</sub>	2	2	2	3	2	2	2	2	2	
	IN2b	G <sub>V</sub>	2	2	2	2	3	3	2	2	2	
	IN1c	G <sub>V</sub>	2	2	2	2	2	2	3	2	2	
	IN2c	G <sub>V</sub>	2	2	2	2	2	2	2	3	3	
Interchannel crosstalk	IN1a	C <sub>T</sub>	2	3	2	2	2	2	2	2	2	f = 4.43MHz V = 1V <sub>PP</sub> Note 3
	IN2a	C <sub>T</sub>	3	2	3	2	2	2	2	2	2	
	IN1b	C <sub>T</sub>	2	2	2	2	3	2	2	2	2	
	IN2b	C <sub>T</sub>	2	2	2	3	2	3	2	2	2	
	IN1c	C <sub>T</sub>	2	2	2	2	2	2	2	3	2	
	IN2c	C <sub>T</sub>	2	2	2	2	2	2	3	2	3	
Frequency characteristic	IN1a	G <sub>f</sub>	3	2	2	2	2	2	2	2	2	f = 10M / f = 1M V = 1V <sub>PP</sub> Note 4
	IN2a	G <sub>f</sub>	2	3	3	2	2	2	2	2	2	
	IN1b	G <sub>f</sub>	2	2	2	3	2	2	2	2	2	
	IN2b	G <sub>f</sub>	2	2	2	2	3	3	2	2	2	
	IN1c	G <sub>f</sub>	2	2	2	2	2	2	3	2	2	
	IN2c	G <sub>f</sub>	2	2	2	2	2	2	2	3	3	
CTL pin switching level	CTL <sub>a</sub>	V <sub>TH</sub>	3	2	1	2	2	2	2	2	2	Note 5
	CTL <sub>b</sub>	V <sub>TH</sub>	2	2	2	3	2	1	2	2	2	
	CTL <sub>c</sub>	V <sub>TH</sub>	2	2	2	2	2	2	3	2	1	
Input impedance	IN1a	Z <sub>IN</sub>	1	2	2	2	2	2	2	2	2	Note 6
	IN2a	Z <sub>IN</sub>	2	1	3	2	2	2	2	2	2	
	IN1b	Z <sub>IN</sub>	2	2	2	1	2	2	2	2	2	
	IN2b	Z <sub>IN</sub>	2	2	2	2	1	3	2	2	2	
	IN1c	Z <sub>IN</sub>	2	2	2	2	2	2	1	2	2	
	IN2c	Z <sub>IN</sub>	2	2	2	2	2	2	2	1	3	

Note 1: Connect a distortion meter to the output, and input a f = 1kHz sine wave. Adjust the output level until the output distortion is 0.5%.

This output voltage at this time is the maximum output level V<sub>Om</sub> (V<sub>P-P</sub>).

Note 2: Input a 1V<sub>P-P</sub>, 1MHz sine wave. The voltage gain is given by G<sub>V</sub> = 20 log (V<sub>OUT</sub> / V<sub>IN</sub>).

Note 3: Input a 1V<sub>P-P</sub>, 4.43MHz sine wave. The interchannel crosstalk is given by C<sub>T</sub> = 20 log (V<sub>OUT</sub> / V<sub>IN</sub>).

Note 4: Input 1V<sub>P-P</sub>, 1MHz and 10MHz sine waves. The frequency characteristic is given by G<sub>f</sub> = 20 log (V<sub>OUT</sub> (f = 10MHz) / V<sub>OUT</sub> (f = 1MHz)).

Note 5: Input a 1V<sub>P-P</sub>, 1MHz sine wave. Reduce the CTL pin voltage from V<sub>CC</sub>.

The CTL pin switching level (V<sub>TH</sub>) is the CTL pin voltage at which the V<sub>out</sub> level drops below 20mV<sub>P-P</sub>.

Note 6: Measure the input pin voltage V<sub>IN50</sub> when a current of DC50μA is flowing into the input pin. Measure the input pin open-circuit voltage.

The input impedance is given by Z = (V<sub>IN50</sub> - V<sub>IN0</sub>) / 50 × 10<sup>-6</sup> [Ω].

● External dimensions (Units: mm)

