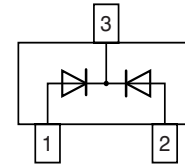
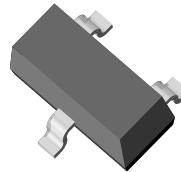


Dual Varicap Diode

Features

- Silicon Epitaxial Planar Diode
- Common cathode
- Lead (Pb)-free component
- Component in accordance to RoHS 2002/95/EC and WEEE 2002/96/EC



18108

Applications

Tuning of separate resonant circuits,
push-pull circuits in FM range,
especially for car radios

Mechanical Data

Case: SOT-23 Plastic case

Weight: approx. 8.1 mg

Packaging Codes/Options:

GS18 / 10 k per 13" reel (8 mm tape), 10 k/box

GS08 / 3 k per 7" reel (8 mm tape), 15 k/box

Parts Table

Part	Type differentiation	Ordering code	Marking	Remarks
BB804-0	$V_{RRM} = 20\text{ V}$, C_D 42-43, 5 pF	BB804-0-GS18 or BB804-0-GS08	FM0	Tape and Reel
BB804-1	$V_{RRM} = 20\text{ V}$, C_D 43-44, 5 pF	BB804-1-GS18 or BB804-1-GS08	FM1	Tape and Reel
BB804-2	$V_{RRM} = 20\text{ V}$, C_D 44-45, 5 pF	BB804-2-GS18 or BB804-2-GS08	FM2	Tape and Reel
BB804-3	$V_{RRM} = 20\text{ V}$, C_D 45-46, 5 pF	BB804-3-GS18 or BB804-3-GS08	FM3	Tape and Reel
BB804-4	$V_{RRM} = 20\text{ V}$, C_D 46-47, 5 pF	BB804-4-GS18 or BB804-4-GS08	FM4	Tape and Reel

¹⁾ Any selection part and any marking out of the below listed FM0 to FM4 is possible.

Absolute Maximum Ratings

$T_{amb} = 25\text{ }^\circ\text{C}$, unless otherwise specified

Parameter	Test condition	Symbol	Value	Unit
Repetitive peak reverse voltage		V_{RRM}	20	V
Reverse voltage		V_R	18	V
Forward current		I_F	50	mA

Thermal Characteristics

$T_{amb} = 25\text{ }^\circ\text{C}$, unless otherwise specified

Parameter	Test condition	Symbol	Value	Unit
Junction temperature		T_j	125	$^\circ\text{C}$
Storage temperature range		T_{stg}	- 65 to + 125	$^\circ\text{C}$

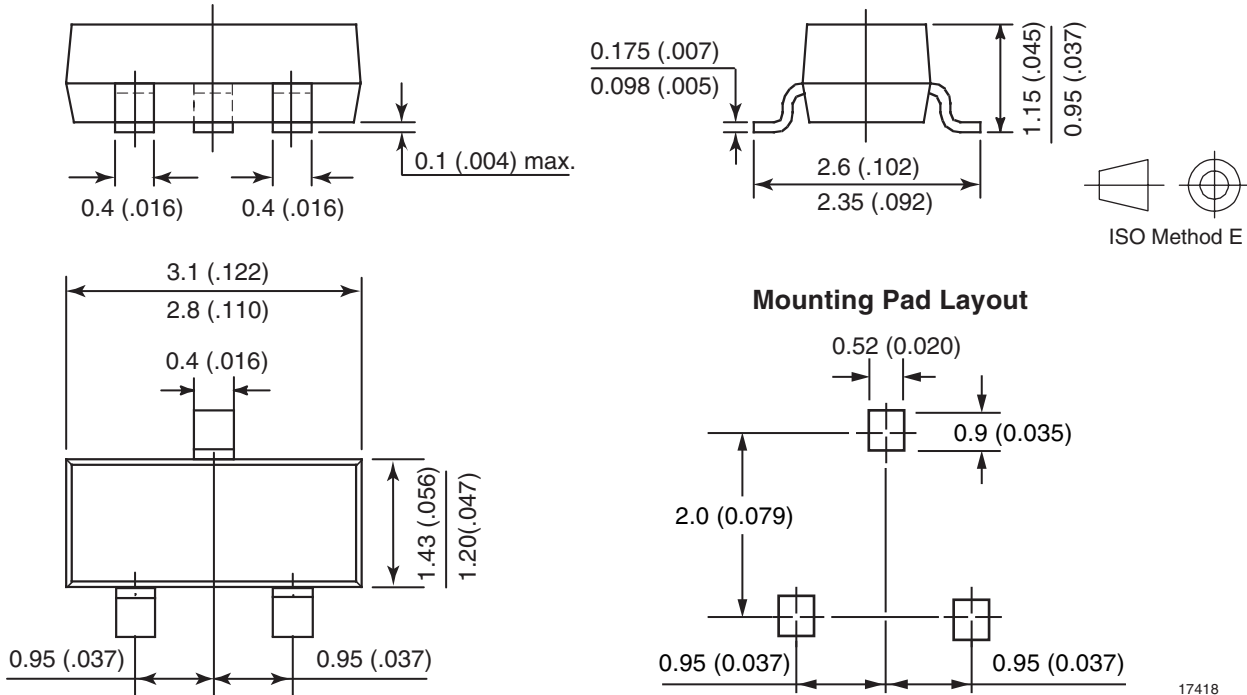
Electrical Characteristics

$T_{amb} = 25\text{ }^{\circ}\text{C}$, unless otherwise specified

Parameter	Test condition	Part	Symbol	Min	Typ.	Max	Unit
Reverse current	$V_R = 16\text{ V}$		I_R			20	nA
	$V_R = 16\text{ V}, T_j = 60\text{ }^{\circ}\text{C}$		I_R			0.2	μA
Diode capacitance ¹⁾	$V_R = 2\text{ V}, f = 1\text{ MHz}$		C_D	42		47.5	pF
Diode capacitance	$V_R = 2\text{ V}, f = 1\text{ MHz}$	Group 0	C_D	42		43.5	pF
		Group 1	C_D	43		44.5	pF
		Group 2	C_D	44		45.5	pF
		Group 3	C_D	45		46.5	pF
		Group 4	C_D	46		47.5	pF
Capacitance ratio	$V_R = 2\text{ V}, 8\text{ V}, f = 100\text{ MHz}$		C_{D2}/C_{D8}	1.65		1.75	
Series resistance	$C_D = 38\text{ pF}, f = 100\text{ MHz}$		r_s		0.3	0.4	Ω
Figure of merit	$C_D = 38\text{ pF}, f = 100\text{ MHz}$		Q	100	140		

¹⁾ A packing unit (reel) contains diodes from one capacitance group only. Delivery of single capacitance groups available only on request.

Package Dimensions in mm (Inches)



17418

Ozone Depleting Substances Policy Statement

It is the policy of Vishay Semiconductor GmbH to

1. Meet all present and future national and international statutory requirements.
2. Regularly and continuously improve the performance of our products, processes, distribution and operating systems with respect to their impact on the health and safety of our employees and the public, as well as their impact on the environment.

It is particular concern to control or eliminate releases of those substances into the atmosphere which are known as ozone depleting substances (ODSs).

The Montreal Protocol (1987) and its London Amendments (1990) intend to severely restrict the use of ODSs and forbid their use within the next ten years. Various national and international initiatives are pressing for an earlier ban on these substances.

Vishay Semiconductor GmbH has been able to use its policy of continuous improvements to eliminate the use of ODSs listed in the following documents.

1. Annex A, B and list of transitional substances of the Montreal Protocol and the London Amendments respectively
2. Class I and II ozone depleting substances in the Clean Air Act Amendments of 1990 by the Environmental Protection Agency (EPA) in the USA
3. Council Decision 88/540/EEC and 91/690/EEC Annex A, B and C (transitional substances) respectively.

Vishay Semiconductor GmbH can certify that our semiconductors are not manufactured with ozone depleting substances and do not contain such substances.

We reserve the right to make changes to improve technical design
and may do so without further notice.

Parameters can vary in different applications. All operating parameters must be validated for each customer application by the customer. Should the buyer use Vishay Semiconductors products for any unintended or unauthorized application, the buyer shall indemnify Vishay Semiconductors against all claims, costs, damages, and expenses, arising out of, directly or indirectly, any claim of personal damage, injury or death associated with such unintended or unauthorized use.

Vishay Semiconductor GmbH, P.O.B. 3535, D-74025 Heilbronn, Germany



Notice

Specifications of the products displayed herein are subject to change without notice. Vishay Intertechnology, Inc., or anyone on its behalf, assumes no responsibility or liability for any errors or inaccuracies.

Information contained herein is intended to provide a product description only. No license, express or implied, by estoppel or otherwise, to any intellectual property rights is granted by this document. Except as provided in Vishay's terms and conditions of sale for such products, Vishay assumes no liability whatsoever, and disclaims any express or implied warranty, relating to sale and/or use of Vishay products including liability or warranties relating to fitness for a particular purpose, merchantability, or infringement of any patent, copyright, or other intellectual property right.

The products shown herein are not designed for use in medical, life-saving, or life-sustaining applications. Customers using or selling these products for use in such applications do so at their own risk and agree to fully indemnify Vishay for any damages resulting from such improper use or sale.