



# BCM5338M PRODUCT Brief



## NINE-PORT MANAGED 10/100 SWITCH WITH IEEE 802.1/P/X/Q VLAN

### FEATURES

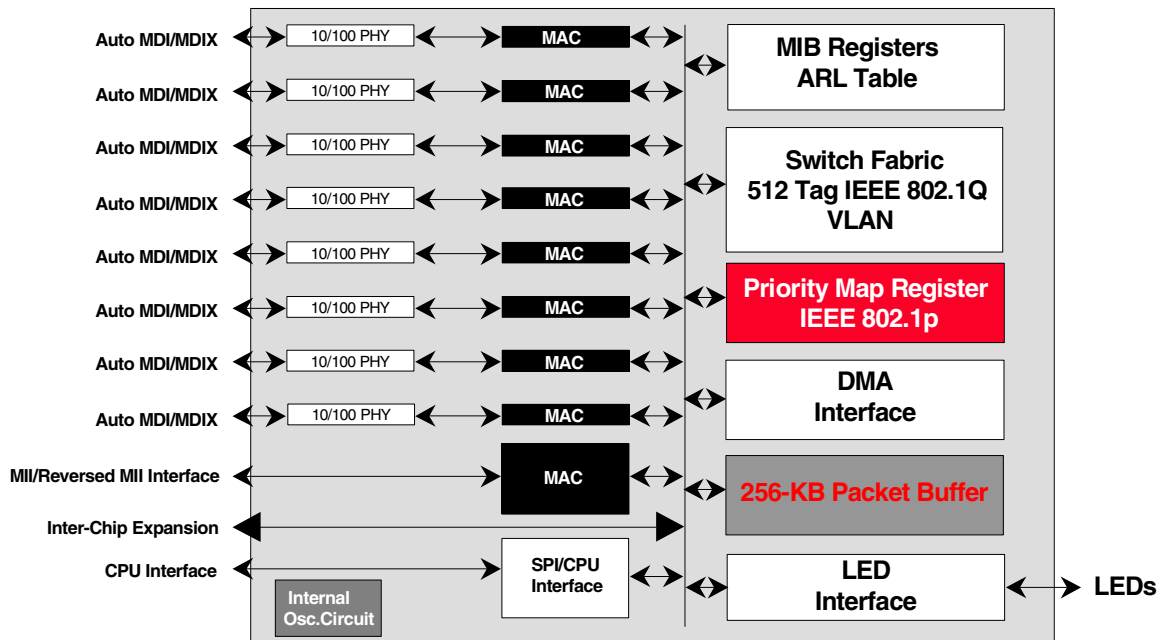
- Sixth-generation L2+ Fast Ethernet switch on a chip
- The BCM5338M integrates:
  - Eight transceivers (IEEE 802.3u compliant)
  - Nine medium access controllers (MACs) (IEEE 802.3x compliant)
  - One port can be assigned as a WAN port
  - 256-KB memory for packet buffer and control
  - Non-blocking switch fabric supports up to 24 ports
- Cascades to 36 ports through a 3.2-Gbps expansion port
- Stack to 48 ports with a 200-Mbps turbo MII port
- IEEE 802.1p QoS packet classification with four priority queues
- IEEE 802.1Q based VLAN with 512 entries
- Supports IEEE 802.1x EAPOL higher layer protocol
- MAC based trunking with automatic link failover
- Programmable per port storm control and rate control
- Port protection allows traffic aggregation to assigned port
- 4K MAC addresses with automatic learning and aging
- Per port programmable MAC address locking
- Programmable per port flow control and back pressure
- Buffer repeater mode
- MII or reversed MII
- MDC/MDIO and SPI interfaces
- Port mirroring and IGMP layer2/3 snooping
- MIB Autocast<sup>®</sup> function
- DTE (power over Ethernet)
- Hardware support for SNMP, RMON, and STP
- Internal oscillator simplifies design and reduces cost
- JTAG
- 3.3V and 1.8V, and typical power consumption is less than 2W
- BCM5328M pin-to-pin compatible 208-pin MQFP package

### SUMMARY OF BENEFITS

- Enables a new generation of affordable 10/100 switches with highest integration of enhanced L2+ features
- Uses field-proven industry-standard 10BASE-T/100BASE-TX (100BASE-FX compatible) Fast Ethernet transceivers—lowering overall system interoperability and reliability risks
- IEEE 802.1Q based VLAN and flexible priority queues mapped to selectable protocols such as IEEE 802.1p, Diffserv, ToS, and CoS, enable the switch to be designed to a wide variety of applications for multimedia and data traffic
- Supports port based Extensible Authentication Protocol over LAN in four application modes; forwards only EAPOL frames to the CPU for authentication and allows secure mode traffic filtering
- Supports IEEE 802.1ad aggregation/port trunking
- Per port storm control of broadcast, multicast, and unlearned unicast traffic
- Flexible per port ingress/egress rate control with minimum resolution of 48 Kbps for better traffic management
- MAC address locking enhances security control
- MII port supports additional 100TX/FX
- Optional reversed MII port connects directly to an IEEE 802.3 compliant MAC
- Access to all internal registers through SPI or MDC/MDIO interfaces
- Low-cost management using the on-chip MIB registers allows the collection and transmission of basic management statistics for each port
- Switch management features:
  - Low-cost MIB Autocast function
  - Hardware support for Simple Network Management Protocol (SNMP), remote network monitoring (RMON), IEEE 802.1d spanning tree protocol, IEEE 802.1s multiple spanning tree (up to 32), and IEEE 802.1w rapid spanning tree protocol

# OVERVIEW

## Block Diagram



The **BCM5338M** switch is a sixth-generation switch designed based on the field-proven industry-leaders, the BCM5328 and BCM5328M switches. This device combines all of the functions of a high-speed switch system—including packet buffers, PHY transceivers, MACs, address management, and a non-blocking switch fabric—into a single 0.18-micron CMOS device. The **BCM5338M** complies with IEEE 802.3, IEEE 802.3u, and IEEE 802.3x specifications, including the MAC control PAUSE frame and auto-negotiation subsections, providing compatibility with all industry-standard Ethernet and Fast Ethernet devices.

The **BCM5338M** contains eight full-duplex 10BASE-T/100BASE-TX Fast Ethernet transceivers, each of which performs all of the physical layer interface functions for 10BASE-T Ethernet on Category 3, 4, or 5 Unshielded Twisted-Pair (UTP) cable and performs 100BASE-TX Fast Ethernet functions on Category 5 UTP cable.

In addition to the robust 10/100 Ethernet DigiPHY™, MIB Autocast, and management functions, the eight-port switch in the **BCM5338M** has a rich feature set suitable for voice over IP and video and data traffic for multimedia applications.

The four-level priority queues mapped to IEEE 802.1p, Diffserv, ToS, and CoS, 512 entries IEEE 802.1Q VLAN, IEEE 802.1x EAPOL

protocol filtering, MAC based trunking with link fail-over, per-port bandwidth/rate control, MAC address locking, IGMP snooping at layer2/3, and port protection function, allow system vendors to build advanced L2+ switch systems for the multitenant/multidweller unit (MDU/MTU) markets.

The proprietary MIB Autocast function encapsulates the on-chip MIB statistics and sends them out automatically on a predefined port (or ports) at programmed intervals. The **BCM5338M** periodically transmits a legal Ethernet frame on a designated port. The frames can be intercepted by an external management probe or a dedicated network management application resident on any node within the network. This function requires only a small, low-cost microcontroller to initialize and configure the device.

The **BCM5338M** provides an on-chip MIB statistics register to collect, receive, and transmit statistics for each port. Additionally it provides direct hardware support for the Ether-like MIB, Bridge MIB, MIB II (interfaces) and the first four groups of the RMON MIB. All nine groups of RMON can be supported by using additional capabilities, such as port mirroring/snooping, together with an external microcontroller to process some MIB attributes. The MIB registers can be accessed through the serial management port by an external microcontroller.

**Broadcom**®, the pulse logo, **MIB Autocast**®, **DigiPHY**™, and **Connecting everything**® are trademarks of Broadcom Corporation and/or its subsidiaries in the United States and certain other countries. All other trademarks mentioned are the property of their respective owners.

Connecting  
**everything**®



**BROADCOM CORPORATION**  
16215 Alton Parkway, P.O. Box 57013  
Irvine, California 92619-7013

© 2004 by BROADCOM CORPORATION. All rights reserved.

5338M-PB01-R 04/21/04

Phone: 949-450-8700  
Fax: 949-450-8710  
E-mail: info@broadcom.com  
Web: www.broadcom.com