



BCM8212 PRODUCT Brief



TRANSCEIVER WITH INTERNAL LOOP TIMING AND PHASE DETECTOR

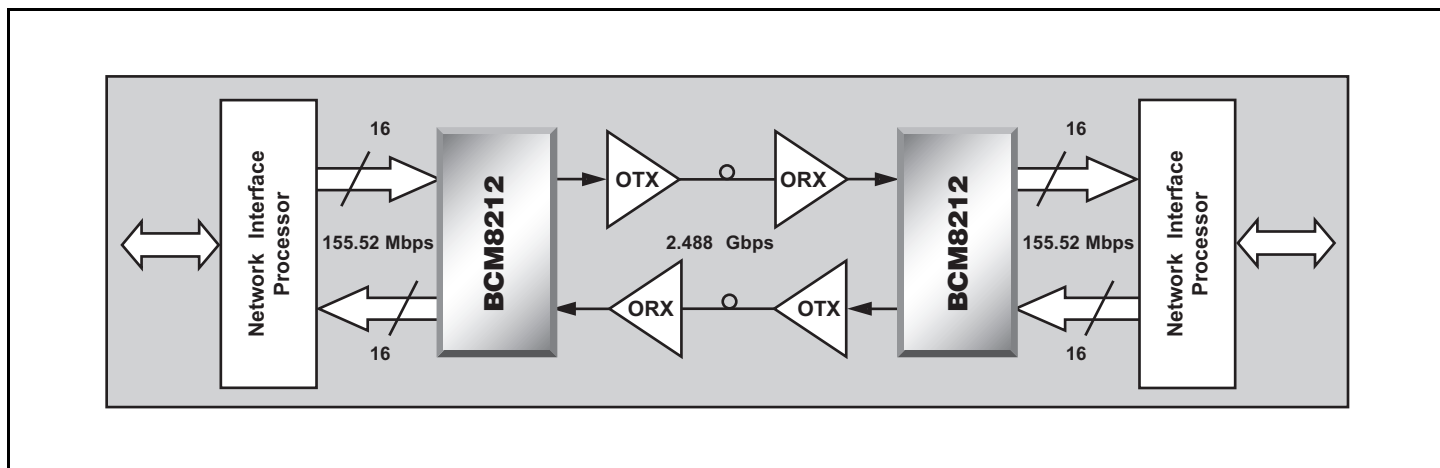
FEATURES

- 2.488-Gbps SONET/SDH transceiver with dual differential serial I/O
- Fully integrated CDR, MUX, DEMUX, and CMU with 16-bit, 155.52-MHz LVPECL interface
- On-chip, PLL-based clock generator
- Internal phase detector and charge pump for cleanup PLL
- Line and system loopback modes
- Loss-of-signal output (LOS_B) and input (LOS_IB)
- TX and RX lock detect
- Elastic buffering with FIFO overflow alarm
- Selectable 77.76/155.52-MHz reference clock
- Selectable RX clock and RX data squelch on LOS
- Selectable loop timing mode
- Dual 2.5V/3.3V supplies
- Power dissipation: 1.2W typical
- Selectable divide-by-32 or divide-by-16 receiver/ transmitter low-speed parallel output clock
- Standard CMOS fabrication process
- 23 × 23 mm, 208-pin BGA package

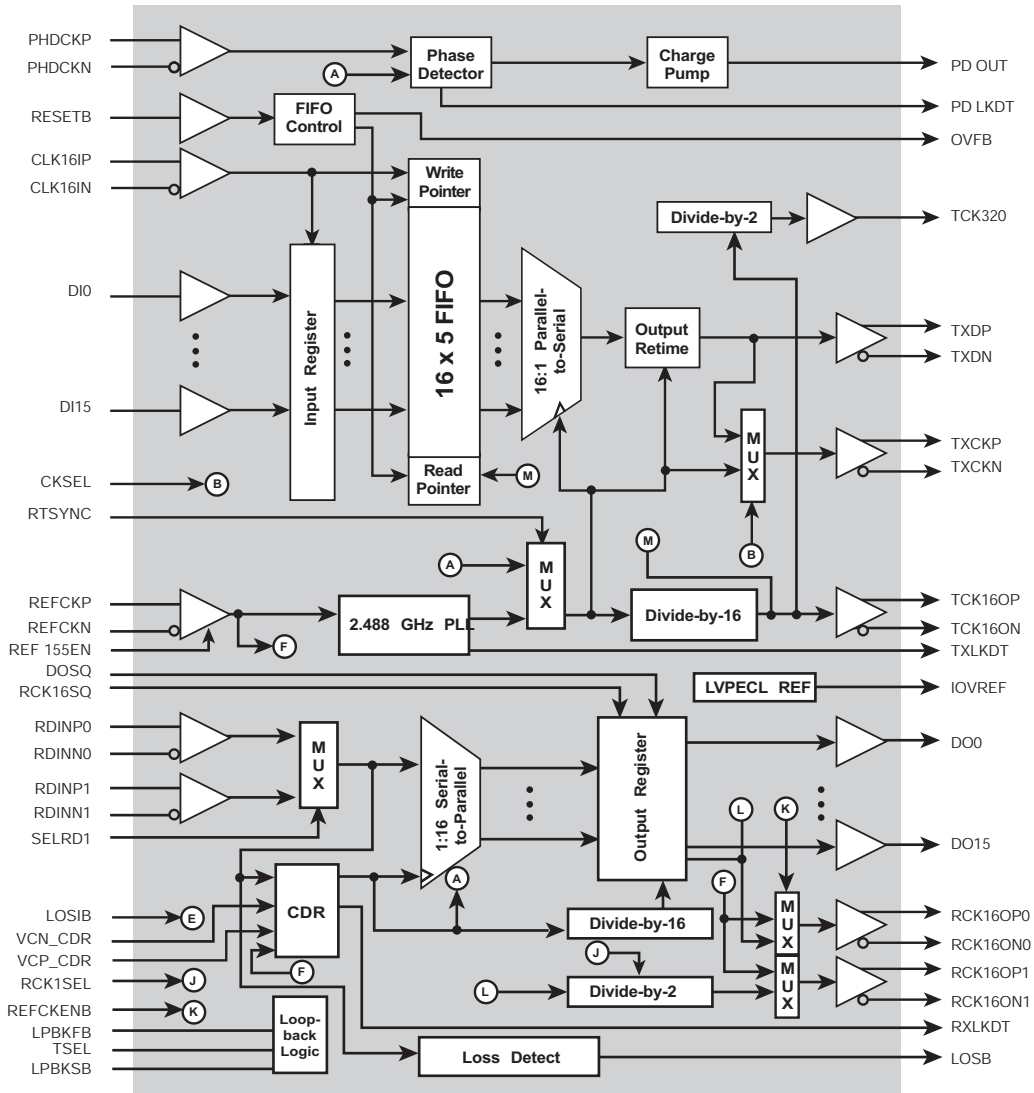
SUMMARY OF BENEFITS

- Low power consumption eliminates external heat sinks, fans for system airflow, and expensive high current power supplies.
- Supports SONET dual-fiber ring architecture.8212-PB05-R
- High integration reduces design cycle and time to market.
- Provides increased port density per board and system.
- Features low jitter: 3 mUI_{RMS} typical.
- CMOS-based device uses the most effective silicon economy of scale.
- Exceeds SONET jitter requirements, which allows the use of low-cost optics.
- Target applications:
 - OC-48/STM-16 transmission equipment
 - SONET/SDH optical modules
 - ADD/DROP multiplexers
 - Digital cross-connects
 - ATM switch backbone
 - SONET/SDH test equipment
 - SONET/SDH test equipment
 - Terabit and edge routers

Application Block Diagram



BCM8212 OVERVIEW



The BCM8212 SONET/SDH transceiver is a fully integrated serialization/deserialization SONET OC-48 (2.488 Gbps) interface device with an integrated Clock Multiplication Unit (CMU) and an integrated Clock and Data Recovery (CDR) circuit. On-chip clock synthesis is performed by the high-frequency and low-jitter, phase-locked loop on the BCM8212 transceiver chip, allowing the use of a slower 77.76/155.52-MHz external transmit clock reference.

Dual RX and TX 2.488 Gbps interfaces support dual-fiber ring architectures. Clock recovery is performed on the device by

synchronizing its on-chip VCO directly to the incoming data stream. The low-jitter, LVPECL interface guarantees compliance with the bit error rate requirements of the Telcordia GR-253-CORE, ANSI, and ITU-T standards. The BCM8212 is packaged in a 23 x 23 x 1.53 mm, 208-pin BGA.

The BCM8212 operates in a 2.5/3.3V configuration. The core and CML I/Os operate at 2.5V. The LVPECL I/Os operate at 3.3V.

Broadcom[®], the pulse logo, and **Connecting everything**[®] are trademarks of Broadcom Corporation and/or its subsidiaries in the United States and certain other countries. All other trademarks mentioned are the property of their respective owners.

Connecting
everything[®]



BROADCOM CORPORATION
16215 Alton Parkway, P.O. Box 57013
Irvine, California 92619-7013

© 2004 by BROADCOM CORPORATION. All rights reserved.

8212-PB05-R 04/15/03

Phone: 949-450-8700
Fax: 949-450-8710
E-mail: info@broadcom.com
Web: www.broadcom.com