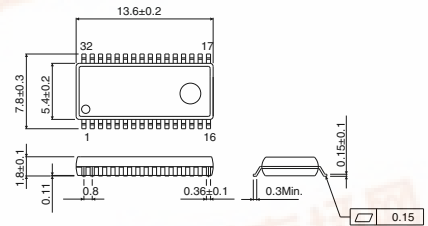


Sound processor for DVD player BD3824FS

● Description

BD3824FS is a single chip IC for DVD recorder application. Each function of 5-channel input selector, input gain, tuner gain, ALC, line amplifier and power save ON/OFF can be controlled by I²C BUS.

● Dimension (Unit : mm)



● Features

- 1) Low distortion rate and low noise
- 2) Built-in ALC circuit can be used as RF output
- 3) Perfect for low current consumption and energy saving design due to BiCMOS process
- 4) SSOP-A32 package. Layout terminals for audio input and audio output are located together to arrange the flow of signal in the same direction enabling an easy pattern layout and saving space on the board.
- 5) Same PCB board as BD3822FS is available.
I²C BUS software of BD3822FS can be used without any modification.
- 6) Original system is applied, which its input (tuner, FRONT, EXT) waveform is not distorted at I²C BUS standby mode.

● Applications

DVD recorder

● Absolute Maximum Ratings (Ta=25°C)

Parameter	Symbol	Limits	Unit
Maximum applied voltage	Vcc	10.0	V
Power dissipation	Pd	950 *	mW
Operating temperature range	Topr	D40 to +85	°C
Storage temperature range	Tstg	D55 to +125	°C

*Derating : 9.5mW/°C for operation above Ta=25°C

*PCB (70mmX70mm,t=1.6mm) glass epoxy mounting.

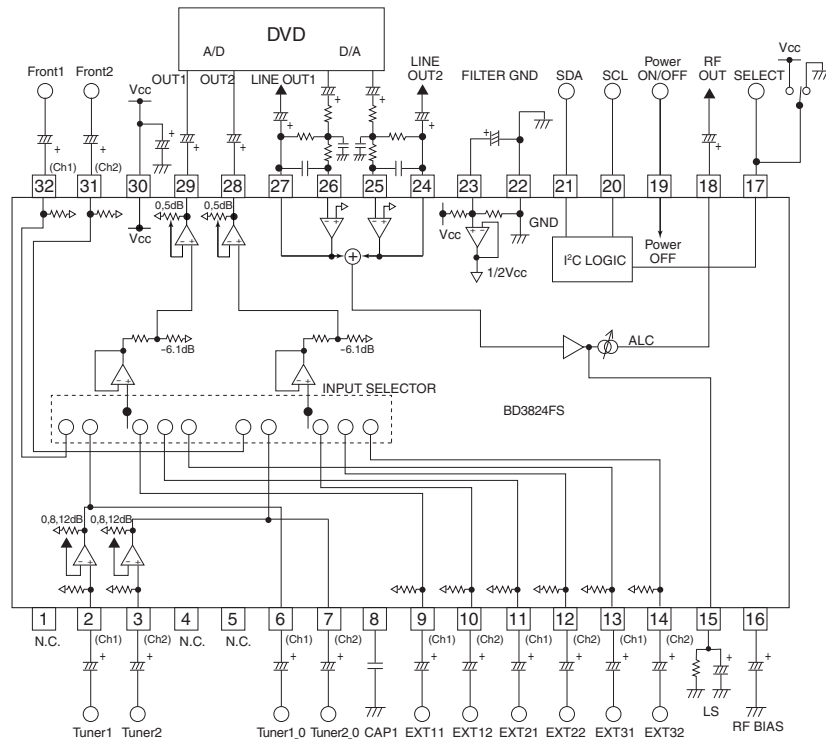
● Operating Conditions (Ta=25°C)

Parameter	Symbol	Min.	Typ.	Max.	Unit
Supply voltage	Vcc	7.0	9.0	9.5	V

- Electrical characteristics (Unless otherwise noted; $T_a=25^\circ\text{C}$, $V_{cc}=9\text{V}$, $f=1\text{kHz}$, $V_{IN}=1\text{Vrms}$, $R_g=600\Omega$, $R_{L1}=4.7\text{k}\Omega$ (LINE OUT1,2), $R_{L2}=10\text{k}\Omega$ (OUT1, OUT2, RF OUT, Tuner1_0, 2_0), input terminal=Front1, Output terminal=OUT1, Gain amp=0dB, Tuner gain=0dB)

Parameter	Symbol	Min.	Typ.	Max.	Unit	Conditions
Circuit current at no signal mode	I_Q	-	6.4	19.2	mA	$V_{IN}=0\text{Vrms}$
Standby current	I_{OFF}	-	940	1760	mA	「Power OFF」 MODE
Maximum output voltage 1	V_{OM1}	1.68	2.1	-	Vrms	Output terminal=OUT1/OUT2, $R_{L2}=10\text{k}\Omega$, V_{OM} at THD(V_{OUT})=1%, Gain Amp=5dB, BW=400~30kHz
Maximum output voltage 2	V_{OM2}	2.2	2.5	-	Vrms	Output terminal=LINE OUT1/LINE OUT2, $R_{L1}=4.7\text{k}\Omega$, V_{OM} at THD(V_{OUT})=1%, External LPF $G_{vc}=6\text{dB}$, BW=400~30kHz
Channel balance	CB	-1.5	0	1.5	dB	$CB=G_{V1}-G_{V2}$
Total harmonic distortion rate	THD	-	0.0015	0.05	%	$V_{OUT}=2\text{Vrms}$, BW=400-30kHz
Output noise voltage	V_{NO}	-	2.3	11.5	mVrms	$R_g=0\Omega$, BW=IHF-A
Cross talk between channels	CTC	-	-100	-80	dB	$R_g=0\Omega$, BW=IHF-A

- Application Circuit



Notes

- No technical content pages of this document may be reproduced in any form or transmitted by any means without prior permission of ROHM CO.,LTD.
- The contents described herein are subject to change without notice. The specifications for the product described in this document are for reference only. Upon actual use, therefore, please request that specifications to be separately delivered.
- Application circuit diagrams and circuit constants contained herein are shown as examples of standard use and operation. Please pay careful attention to the peripheral conditions when designing circuits and deciding upon circuit constants in the set.
- Any data, including, but not limited to application circuit diagrams information, described herein are intended only as illustrations of such devices and not as the specifications for such devices. ROHM CO.,LTD. disclaims any warranty that any use of such devices shall be free from infringement of any third party's intellectual property rights or other proprietary rights, and further, assumes no liability of whatsoever nature in the event of any such infringement, or arising from or connected with or related to the use of such devices.
- Upon the sale of any such devices, other than for buyer's right to use such devices itself, resell or otherwise dispose of the same, no express or implied right or license to practice or commercially exploit any intellectual property rights or other proprietary rights owned or controlled by
- ROHM CO., LTD. is granted to any such buyer.
- Products listed in this document are no antiradiation design.

The products listed in this document are designed to be used with ordinary electronic equipment or devices (such as audio visual equipment, office-automation equipment, communications devices, electrical appliances and electronic toys).

Should you intend to use these products with equipment or devices which require an extremely high level of reliability and the malfunction of which would directly endanger human life (such as medical instruments, transportation equipment, aerospace machinery, nuclear-reactor controllers, fuel controllers and other safety devices), please be sure to consult with our sales representative in advance.

About Export Control Order in Japan

Products described herein are the objects of controlled goods in Annex 1 (Item 16) of Export Trade Control Order in Japan.

In case of export from Japan, please confirm if it applies to "objective" criteria or an "informed" (by MITI clause) on the basis of "catch all controls for Non-Proliferation of Weapons of Mass Destruction.