

Regulators

1-channel DC/DC converter controller

BD9300/F/FV

BD9300/F/FV is an output open collector type of 1-channel DC/DC converter controller. Step-up, step-down and inverting DC/DC converter can be composed. Input voltage range is wide (3.6V to 35V) and this IC can be used widely for various applications. Pin layout is nearly the same as BA9700 and it is easy to replace it.

●Applications

TV, power supply for liquid crystal TV, Backlight
DSC, DVC, Printer, DVD, DVD recorder, Other consumer products

●Features

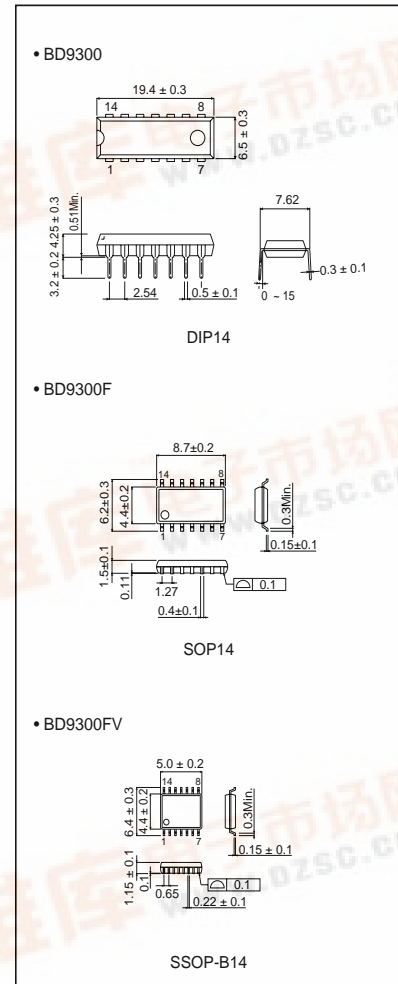
- 1) 1-channel PWM control DC/DC converter controller.
- 2) High voltage input : 3.6 to 35V.
- 3) Reference voltage accuracy : ±1%.
- 4) Oscillating frequency changeable : 20 to 800kHz.
- 5) Built-in UVLO (Under voltage lock out) circuit and SCP (Short circuit protection) circuit.
- 6) Current at stand-by mode : 0μA (typ.)
- 7) Switching external synchronization available. (slave operation)

●Absolute maximum ratings (Ta = 25°C)

Parameter	Symbol	Limits	Unit
Supply voltage	Vcc	36	V
Power dissipation	BD9300	950 *1	mW
	BD9300F	450 *2	
	BD9300FV	400 *3	
Operating temperature range	Topr	-40 to +85	°C
Storage temperature range	Tstg	-55 to +125	°C

*1 Derating : 9.5mW/°C for operation above Ta=25°C.
*2 Derating : 4.5mW/°C for operation above Ta=25°C.
*3 Derating : 4.0mW/°C for operation above Ta=25°C.

●External dimensions (Unit : mm)



●Recommended operating conditions (Ta = 25°C)

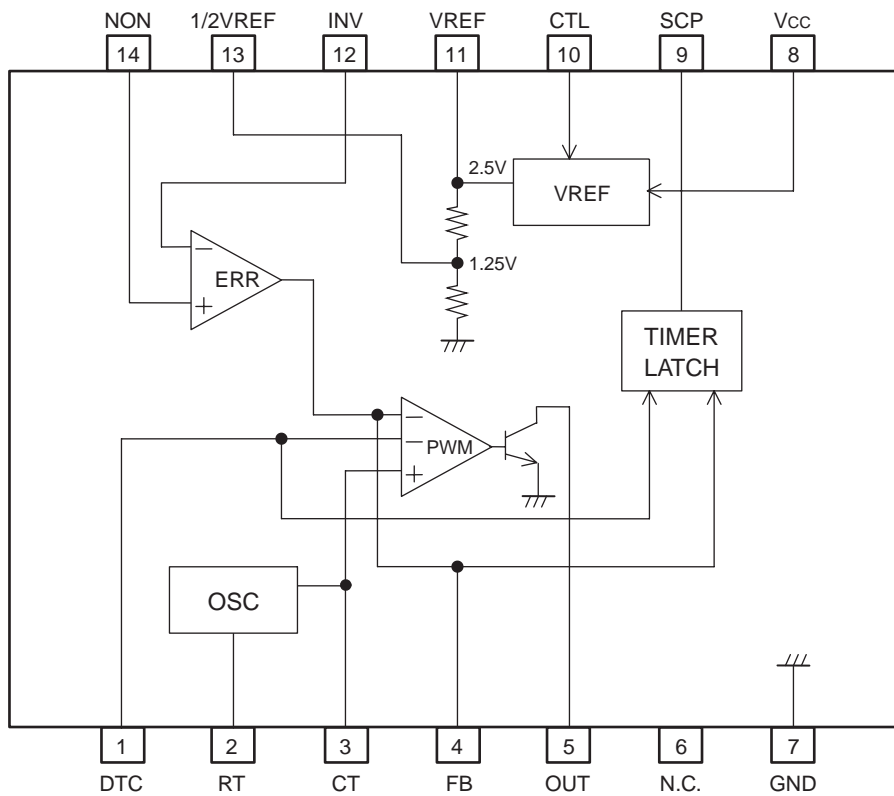
Parameter	Symbol	Min.	Typ.	Max.	Unit
Supply voltage	Vcc	3.6	12	35	V

Regulators

●Electrical characteristics (Unless otherwise noted, Ta=25°C, Vcc=12V)

Parameter	Symbol	Min.	Typ.	Max.	Unit	Conditions
Reference voltage	Vref	2.475	2.500	2.525	V	Iref=1mA
Oscillating frequency	fosc	165	220	275	kHz	RT=20kΩ, CT=200pF
UVLO threshold voltage	VUT	-	2.8	-	V	
Saturation voltage (output)	VSAT	-	1.0	1.4	V	Io=30mA
CTL ON threshold voltage	VON	2	-	-	V	
CTL OFF threshold voltage	VOFF	-	-	0.7	V	
Standby current	ISTB	-	0	10	μA	VCTL=0V
Average current consumption	Icc	-	1.2	2.4	mA	RT=VREF

●Block diagram



Notes

- No technical content pages of this document may be reproduced in any form or transmitted by any means without prior permission of ROHM CO.,LTD.
- The contents described herein are subject to change without notice. The specifications for the product described in this document are for reference only. Upon actual use, therefore, please request that specifications to be separately delivered.
- Application circuit diagrams and circuit constants contained herein are shown as examples of standard use and operation. Please pay careful attention to the peripheral conditions when designing circuits and deciding upon circuit constants in the set.
- Any data, including, but not limited to application circuit diagrams information, described herein are intended only as illustrations of such devices and not as the specifications for such devices. ROHM CO.,LTD. disclaims any warranty that any use of such devices shall be free from infringement of any third party's intellectual property rights or other proprietary rights, and further, assumes no liability of whatsoever nature in the event of any such infringement, or arising from or connected with or related to the use of such devices.
- Upon the sale of any such devices, other than for buyer's right to use such devices itself, resell or otherwise dispose of the same, no express or implied right or license to practice or commercially exploit any intellectual property rights or other proprietary rights owned or controlled by
- ROHM CO., LTD. is granted to any such buyer.
- Products listed in this document are no antiradiation design.

The products listed in this document are designed to be used with ordinary electronic equipment or devices (such as audio visual equipment, office-automation equipment, communications devices, electrical appliances and electronic toys).

Should you intend to use these products with equipment or devices which require an extremely high level of reliability and the malfunction of which would directly endanger human life (such as medical instruments, transportation equipment, aerospace machinery, nuclear-reactor controllers, fuel controllers and other safety devices), please be sure to consult with our sales representative in advance.

About Export Control Order in Japan

Products described herein are the objects of controlled goods in Annex 1 (Item 16) of Export Trade Control Order in Japan.

In case of export from Japan, please confirm if it applies to "objective" criteria or an "informed" (by MITI clause) on the basis of "catch all controls for Non-Proliferation of Weapons of Mass Destruction.