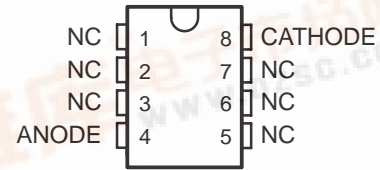


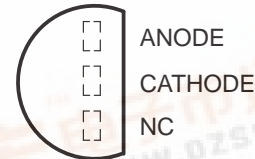
- **Operating Current Range . . . 20  $\mu$ A to 20 mA**
- **1.5% and 3% Initial Voltage Tolerance**
- **Reference Impedance**
  - LM385 . . . 1  $\Omega$  Max at 25°C
  - All Devices . . . 1.5  $\Omega$  Max Over Full Temperature Range
- **Very Low Power Consumption**
- **Applications**
  - Portable Meter References
  - Portable Test Instruments
  - Battery-Operated Systems
  - Current-Loop Instrumentation
  - Panel Meters
- **Interchangeable With Industry-Standard LM285-2.5 and LM385-2.5**

LM285-2.5 . . . D PACKAGE  
 LM385-2.5, LM385B-2.5 . . . D OR PW PACKAGE  
 (TOP VIEW)



NC – No internal connection

LM285-2.5, LM385-2.5, LM385B-2.5 . . . LP PACKAGE  
 (TOP VIEW)



NC – No internal connection

**description/ordering information**

These micropower two-terminal band-gap voltage references operate over a 20- $\mu$ A to 20-mA current range and feature exceptionally low dynamic impedance and good temperature stability. On-chip trimming provides tight voltage tolerance. The band-gap reference for these devices has low noise and long-term stability.

**ORDERING INFORMATION**

T <sub>A</sub>	V <sub>Z</sub> TOLERANCE	PACKAGE†	ORDERABLE PART NUMBER	TOP-SIDE MARKING	
0°C to 70°C	3%	SOIC (D)	Tube of 75	LM385D-2-5	385-25
			Reel of 2000	LM385DR-2-5	
		TO226/TO-92 (LP)	Tube of 1000	LM385LP-2-5	385-25
			Reel of 2000	LM385LPR-2-5	
		TSSOP (PW)	Tube of 150	LM385PW-2-5	385-25
			Reel of 2000	LM385PWR-2-5	
	1.5%	SOIC (D)	Tube of 75	LM385BD-2-5	385B25
			Reel of 2000	LM385BDR-2-5	
		TO226/TO-92 (LP)	Tube of 1000	LM385BLP-2-5	385-25
Reel of 2000			LM385BLPR-2-5		
TSSOP (PW)		Tube of 150	LM385BPW-2-5	385B25	
		Reel of 2000	LM385BPWR-2-5		
-40°C to 85°C	1.5%	SOIC (D)	Tube of 75	LM285D-2-5	285-25
			Reel of 2000	LM285DR-2-5	
		TO226/TO-92 (LP)	Tube of 1000	LM285LP-2-5	285-25
			Reel of 2000	LM285LPR-2-5	

† Package drawings, standard packing quantities, thermal data, symbolization, and PCB design guidelines are available at [www.ti.com/sc/package](http://www.ti.com/sc/package).

Please be aware that an important notice concerning availability, standard warranty, and use in critical applications of Texas Instruments semiconductor products and disclaimers thereto appears at the end of this data sheet.



# LM285-2.5, LM385-2.5, LM385B-2.5 MICROPOWER VOLTAGE REFERENCES

SLVS023I – JANUARY 1989 – REVISED FEBRUARY 2005

## description/ordering information (continued)

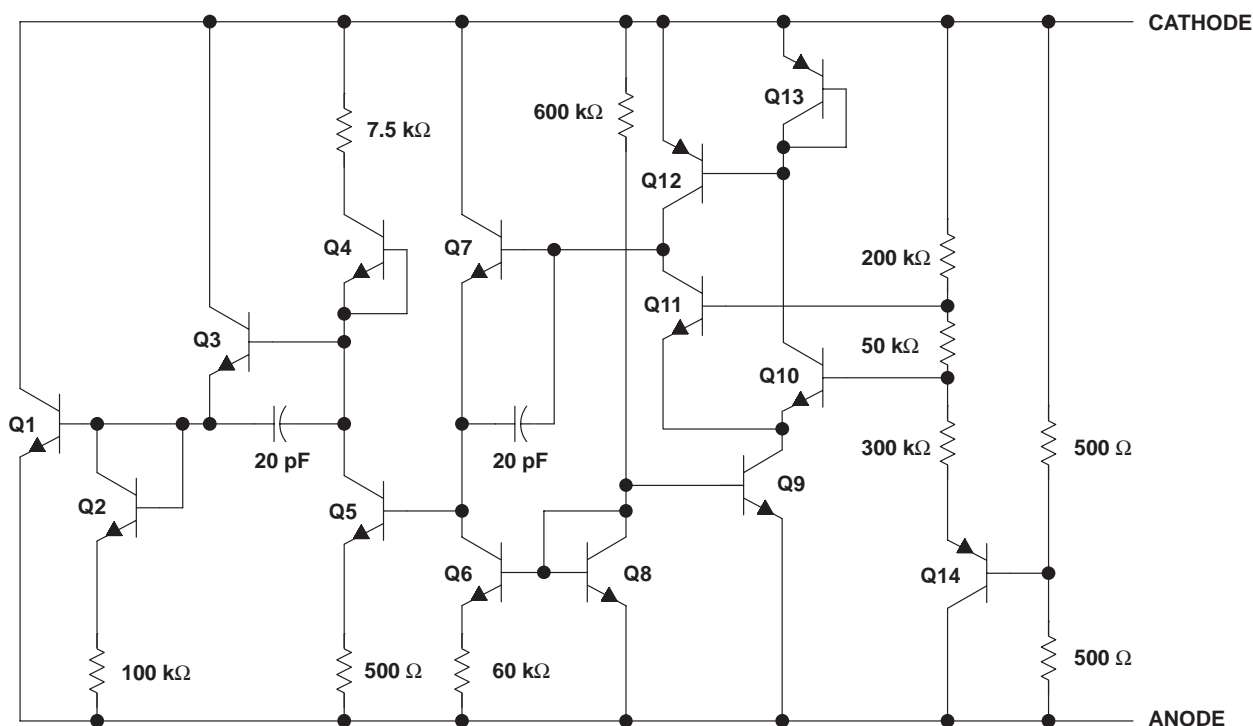
The design makes these devices exceptionally tolerant of capacitive loading and, thus, easier to use in most reference applications. The wide dynamic operating temperature range accommodates varying current supplies, with excellent regulation.

The extremely low power drain of this series makes them useful for micropower circuitry. These voltage references can be used to make portable meters, regulators, or general-purpose analog circuitry, with battery life approaching shelf life. The wide operating current range allows them to replace older references with tighter-tolerance parts.

## symbol



## schematic



NOTE A: All component values shown are nominal.

# LM285-2.5, LM385-2.5, LM385B-2.5 MICROPOWER VOLTAGE REFERENCES

SLVS0231 – JANUARY 1989 – REVISED FEBRUARY 2005

## absolute maximum ratings over operating free-air temperature range (unless otherwise noted)†

Reverse current, $I_R$ .....	30 mA
Forward current, $I_F$ .....	10 mA
Package thermal impedance, $\theta_{JA}$ (see Notes 1 and 2): D package .....	97°C/W
LP package .....	140°C/W
PW package .....	149°C/W
Lead temperature 1,6 mm (1/16 inch) from case for 10 seconds .....	260°C
Storage temperature range, $T_{Stg}$ .....	–65°C to 150°C

† Stresses beyond those listed under “absolute maximum ratings” may cause permanent damage to the device. These are stress ratings only, and functional operation of the device at these or any other conditions beyond those indicated under “recommended operating conditions” is not implied. Exposure to absolute-maximum-rated conditions for extended periods may affect device reliability.

- NOTES: 1. Maximum power dissipation is a function of  $T_{J(max)}$ ,  $\theta_{JA}$ , and  $T_A$ . The maximum allowable power dissipation at any allowable ambient temperature is  $P_D = (T_{J(max)} - T_A)/\theta_{JA}$ . Operation at the absolute maximum  $T_J$  of 150°C can affect reliability.  
2. The package thermal impedance is calculated in accordance with JESD 51-7.

## recommended operating conditions

		MIN	MAX	UNIT
$I_Z$	Reference current	0.02	20	mA
$T_A$	Operating free-air temperature range	LM285-2.5	–40	85
		LM385-2.5, LM385B-2.5	0	70
				°C

## electrical characteristics at specified free-air temperature

PARAMETER	TEST CONDITIONS	$T_A$ ‡	LM285-2.5			LM385-2.5			LM385B-2.5			UNIT	
			MIN	TYP	MAX	MIN	TYP	MAX	MIN	TYP	MAX		
$V_Z$	Reference voltage	$I_Z = 20 \mu A$ to 20 mA	25°C	2.462	2.5	2.538	2.425	2.5	2.575	2.462	2.5	2.538	V
$\alpha_{VZ}$	Average temperature coefficient of reference voltage§	$I_Z = 20 \mu A$ to 20 mA	Full range	±20			±20			±20			ppm/°C
$\Delta V_Z$	Change in reference voltage with current	$I_Z = 20 \mu A$ to 1 mA	25°C	1			2			2			mV
			Full range	1.5			2			2			
		$I_Z = 1 \mu A$ to 20 mA	25°C	10			20			20			
			Full range	30			30			30			
$\Delta V_Z/\Delta t$	Long-term change in reference voltage	$I_Z = 100 \mu A$	25°C	±20			±20			±20			ppm/khr
$I_{Z(min)}$	Minimum reference current		Full range	8 20			8 20			8 20			μA
$z_z$	Reference impedance	$I_Z = 100 \mu A$	25°C	0.2 0.6			0.4 1			0.4 1			Ω
			Full range	1.5			1.5			1.5			
$V_n$	Broadband noise voltage	$I_Z = 100 \mu A$ , $f = 10 \text{ Hz}$ to 10 kHz	25°C	120			120			120			μV

‡ Full range is 0°C to 70°C for the LM385-2.5 and LM385B-2.5, and –40°C to 85°C for the LM285-2.5.

§ The average temperature coefficient of reference voltage is defined as the total change in reference voltage divided by the specified temperature range.

# LM285-2.5, LM385-2.5, LM385B-2.5 MICROPOWER VOLTAGE REFERENCES

SLVS023I – JANUARY 1989 – REVISED FEBRUARY 2005

## TYPICAL CHARACTERISTICS†

REVERSE CURRENT  
vs  
REVERSE VOLTAGE

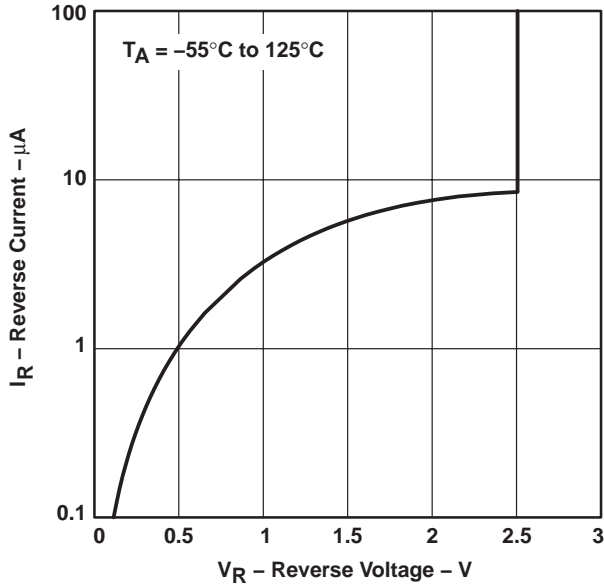


Figure 1

REFERENCE VOLTAGE CHANGE  
vs  
REVERSE CURRENT

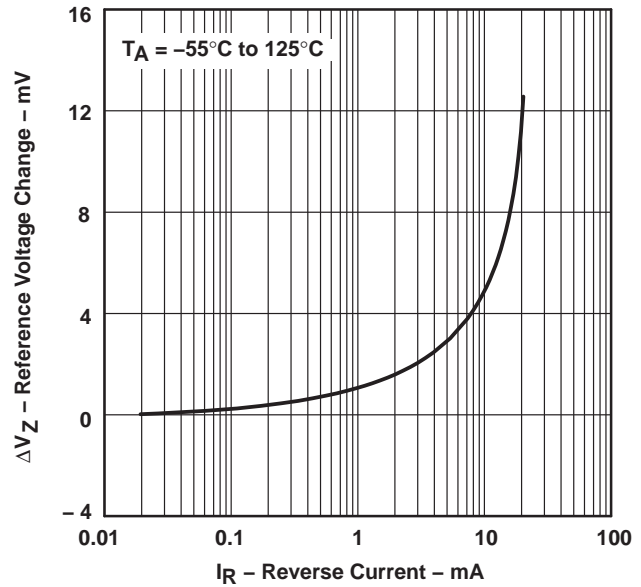


Figure 2

FORWARD VOLTAGE  
vs  
FORWARD CURRENT

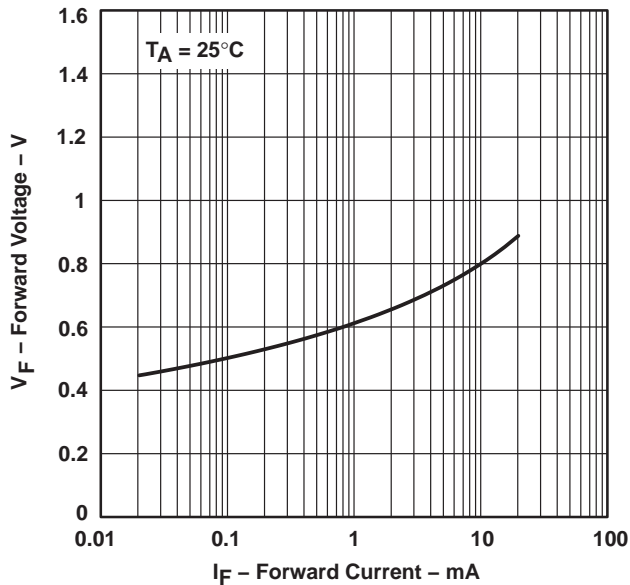


Figure 3

REFERENCE VOLTAGE  
vs  
FREE-AIR TEMPERATURE

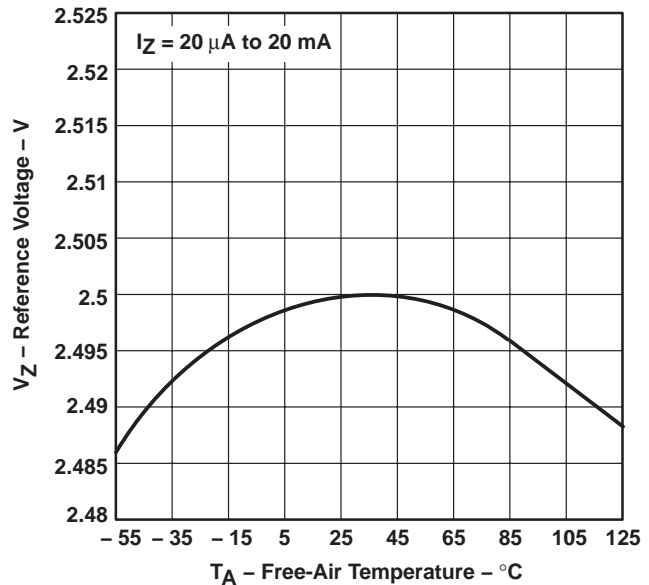


Figure 4

† Data at high and low temperatures are applicable only within the rated operating free-air temperature ranges of the various devices.

# LM285-2.5, LM385-2.5, LM385B-2.5 MICROPOWER VOLTAGE REFERENCES

SLVS0231 – JANUARY 1989 – REVISED FEBRUARY 2005

## TYPICAL CHARACTERISTICS†

REFERENCE IMPEDANCE  
VS  
REFERENCE CURRENT

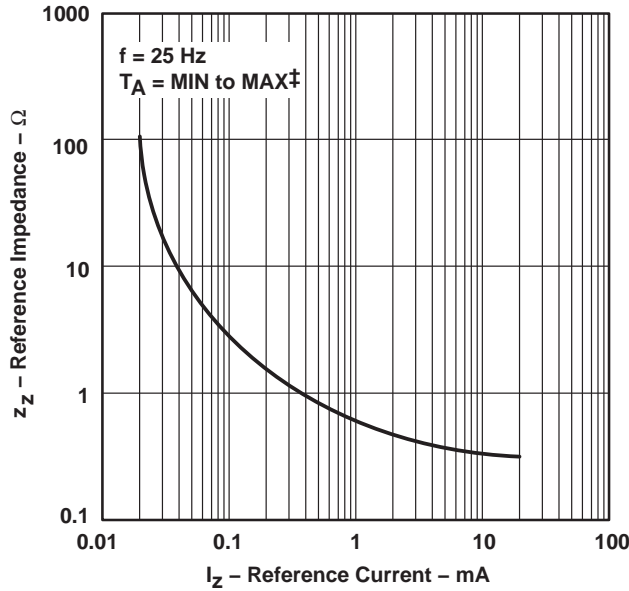


Figure 5

REFERENCE IMPEDANCE  
VS  
FREQUENCY

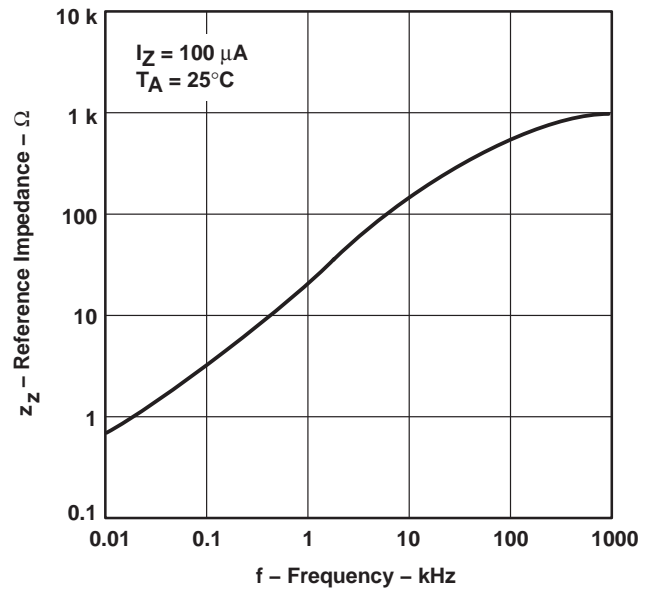


Figure 6

NOISE VOLTAGE  
VS  
FREQUENCY

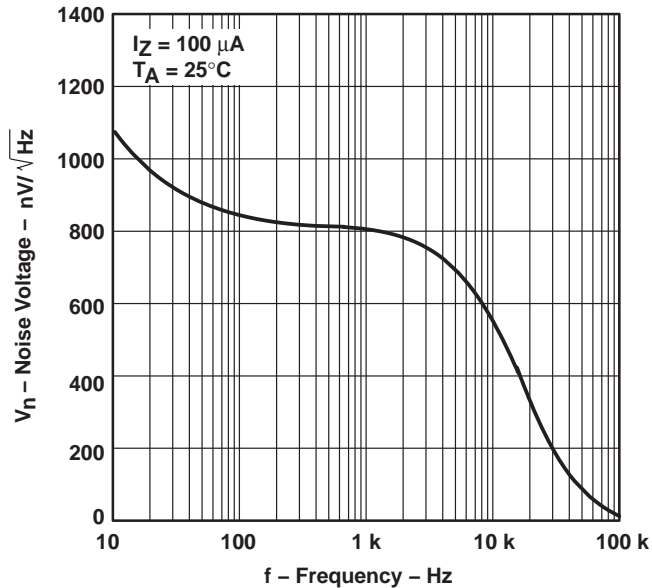


Figure 7

FILTERED RMS OUTPUT NOISE VOLTAGE  
VS  
FREQUENCY

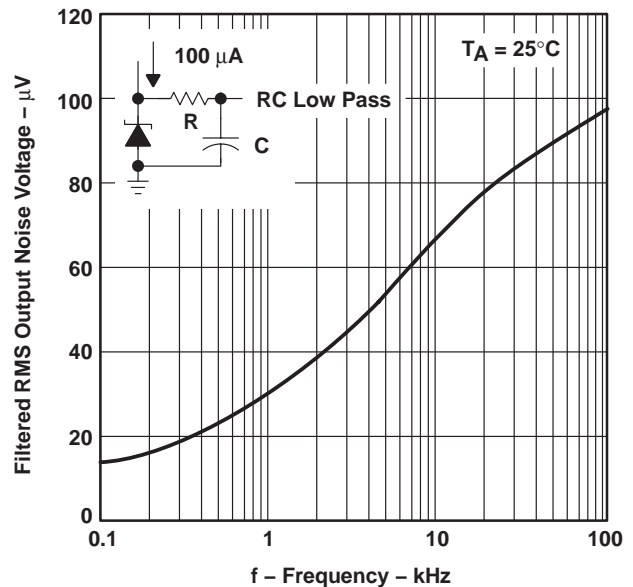


Figure 8

† Data at high and low temperatures are applicable only within the rated operating free-air temperature ranges of the various devices.  
‡ For conditions shown as MIN or MAX, use the appropriate value specified under recommended operating conditions.

# LM285-2.5, LM385-2.5, LM385B-2.5 MICROPOWER VOLTAGE REFERENCES

SLVS023I – JANUARY 1989 – REVISED FEBRUARY 2005

## TYPICAL CHARACTERISTICS†

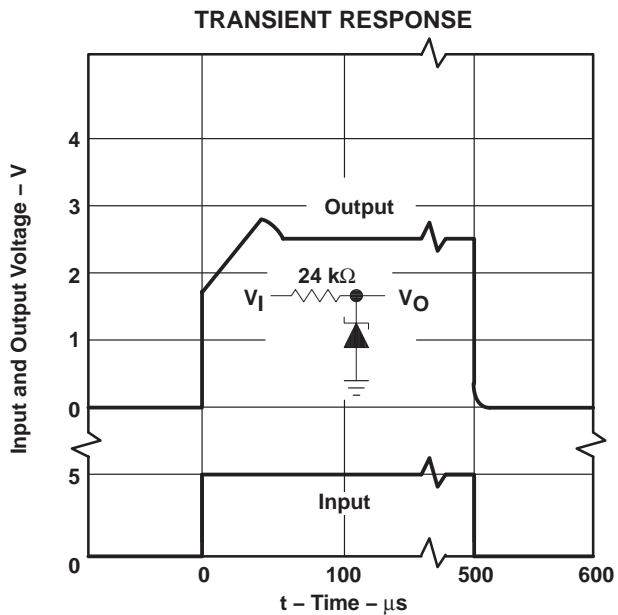


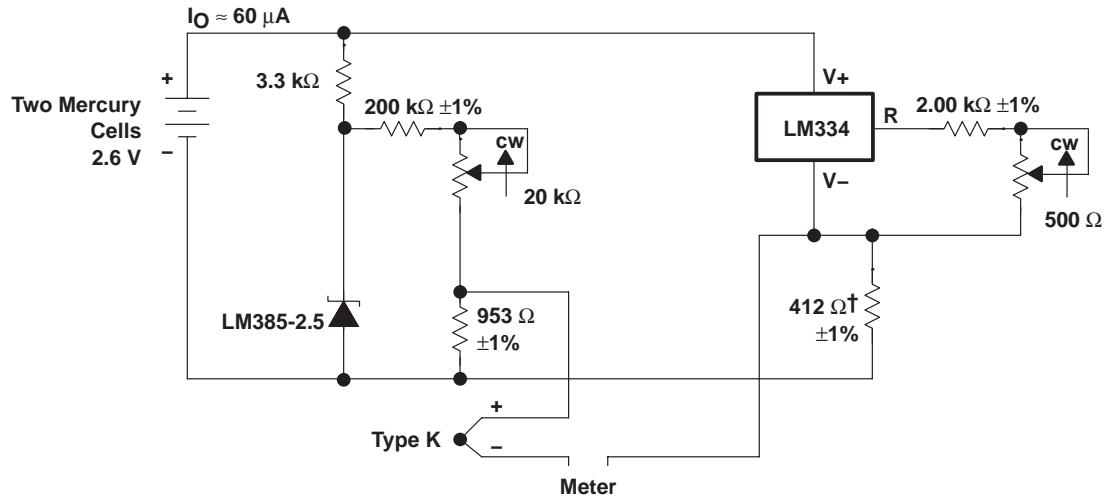
Figure 9

† Data at high and low temperatures are applicable only within the rated operating free-air temperature ranges of the various devices.

# LM285-2.5, LM385-2.5, LM385B-2.5 MICROPOWER VOLTAGE REFERENCES

SLVS0231 – JANUARY 1989 – REVISED FEBRUARY 2005

## APPLICATION INFORMATION



† Adjust for 12.17 mV at 25°C across 412 Ω

Figure 10. Thermocouple Cold-Junction Compensator

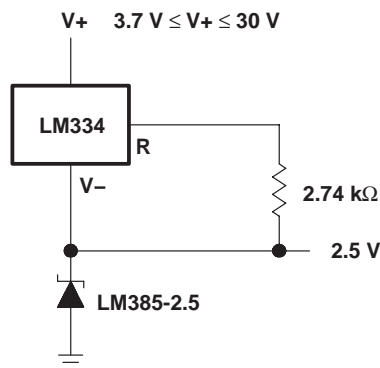


Figure 11. Operation Over a Wide Supply Range

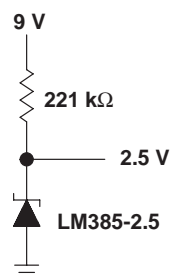


Figure 12. Reference From a 9-V Battery

**PACKAGING INFORMATION**

Orderable Device	Status <sup>(1)</sup>	Package Type	Package Drawing	Pins	Package Qty	Eco Plan <sup>(2)</sup>	Lead/Ball Finish	MSL Peak Temp <sup>(3)</sup>
LM285D-2-5	ACTIVE	SOIC	D	8	75	Pb-Free (RoHS)	CU NIPDAU	Level-2-250C-1 YEAR
LM285DR-2-5	ACTIVE	SOIC	D	8	2500	Pb-Free (RoHS)	CU NIPDAU	Level-2-250C-1 YEAR
LM285LP-2-5	ACTIVE	TO-92	LP	3	1000	None	Call TI	Level-NC-NC-NC
LM285LPR-2-5	ACTIVE	TO-92	LP	3	2000	None	Call TI	Level-NC-NC-NC
LM385BD-2-5	ACTIVE	SOIC	D	8	75	Pb-Free (RoHS)	CU NIPDAU	Level-2-250C-1 YEAR
LM385BDR-2-5	ACTIVE	SOIC	D	8	2500	Pb-Free (RoHS)	CU NIPDAU	Level-2-250C-1 YEAR
LM385BLP-2-5	ACTIVE	TO-92	LP	3	1000	None	Call TI	Level-NC-NC-NC
LM385BLPR-2-5	ACTIVE	TO-92	LP	3	2000	None	Call TI	Level-NC-NC-NC
LM385BPW-2-5	ACTIVE	TSSOP	PW	8	150	Pb-Free (RoHS)	CU NIPDAU	Level-1-250C-UNLIM
LM385BPWR-2-5	ACTIVE	TSSOP	PW	8	2000	Pb-Free (RoHS)	CU NIPDAU	Level-1-250C-UNLIM
LM385D-2-5	ACTIVE	SOIC	D	8	75	Pb-Free (RoHS)	CU NIPDAU	Level-2-250C-1 YEAR
LM385DR-2-5	ACTIVE	SOIC	D	8	2500	Pb-Free (RoHS)	CU NIPDAU	Level-2-250C-1 YEAR
LM385LP-2-5	ACTIVE	TO-92	LP	3	1000	None	Call TI	Level-NC-NC-NC
LM385LPR-2-5	ACTIVE	TO-92	LP	3	2000	None	Call TI	Level-NC-NC-NC
LM385PW-2-5	ACTIVE	TSSOP	PW	8	150	Pb-Free (RoHS)	CU NIPDAU	Level-1-250C-UNLIM
LM385PWR-2-5	ACTIVE	TSSOP	PW	8	2000	Pb-Free (RoHS)	CU NIPDAU	Level-1-250C-UNLIM

<sup>(1)</sup> The marketing status values are defined as follows:

**ACTIVE:** Product device recommended for new designs.

**LIFEBUY:** TI has announced that the device will be discontinued, and a lifetime-buy period is in effect.

**NRND:** Not recommended for new designs. Device is in production to support existing customers, but TI does not recommend using this part in a new design.

**PREVIEW:** Device has been announced but is not in production. Samples may or may not be available.

**OBSELETE:** TI has discontinued the production of the device.

<sup>(2)</sup> Eco Plan - May not be currently available - please check <http://www.ti.com/productcontent> for the latest availability information and additional product content details.

**None:** Not yet available Lead (Pb-Free).

**Pb-Free (RoHS):** TI's terms "Lead-Free" or "Pb-Free" mean semiconductor products that are compatible with the current RoHS requirements for all 6 substances, including the requirement that lead not exceed 0.1% by weight in homogeneous materials. Where designed to be soldered at high temperatures, TI Pb-Free products are suitable for use in specified lead-free processes.

**Green (RoHS & no Sb/Br):** TI defines "Green" to mean "Pb-Free" and in addition, uses package materials that do not contain halogens, including bromine (Br) or antimony (Sb) above 0.1% of total product weight.

<sup>(3)</sup> MSL, Peak Temp. -- The Moisture Sensitivity Level rating according to the JEDEC industry standard classifications, and peak solder temperature.

**Important Information and Disclaimer:**The information provided on this page represents TI's knowledge and belief as of the date that it is provided. TI bases its knowledge and belief on information provided by third parties, and makes no representation or warranty as to the accuracy of such information. Efforts are underway to better integrate information from third parties. TI has taken and continues to take reasonable steps to provide representative and accurate information but may not have conducted destructive testing or chemical analysis on incoming materials and chemicals. TI and TI suppliers consider certain information to be proprietary, and thus CAS numbers and other limited



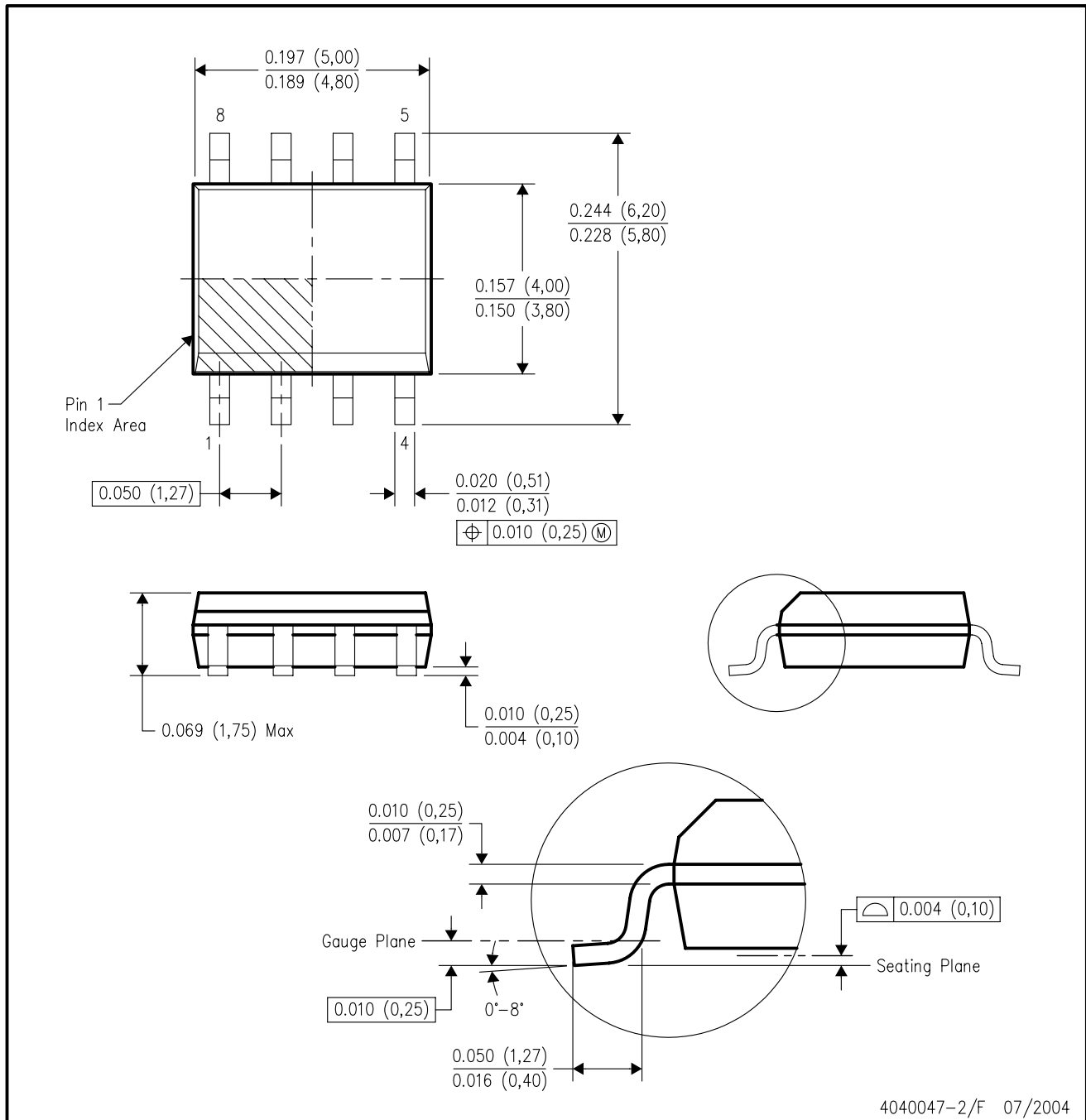
information may not be available for release.

In no event shall TI's liability arising out of such information exceed the total purchase price of the TI part(s) at issue in this document sold by TI to Customer on an annual basis.

# MECHANICAL DATA

## D (R-PDSO-G8)

## PLASTIC SMALL-OUTLINE PACKAGE



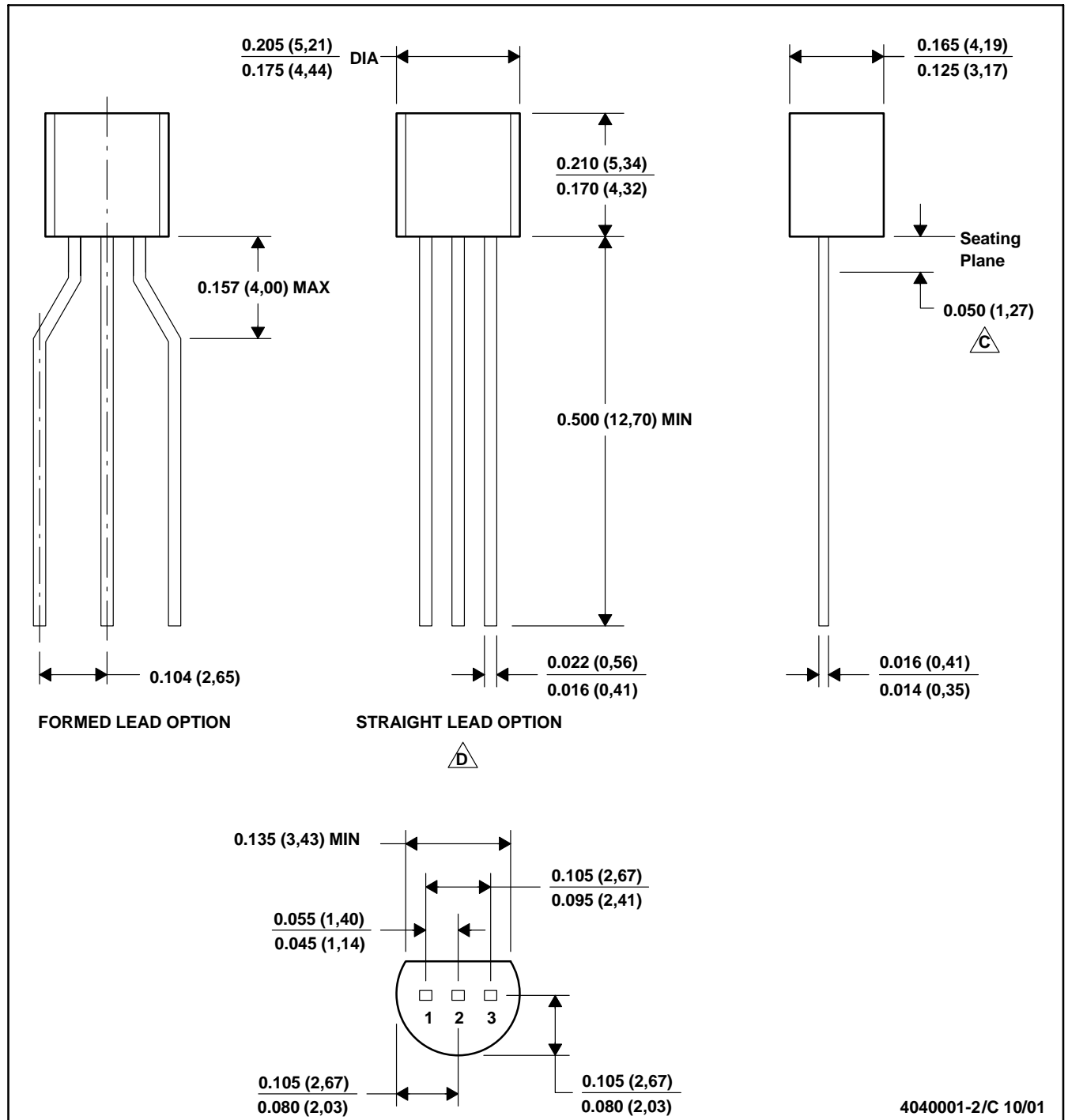
- NOTES:
- All linear dimensions are in inches (millimeters).
  - This drawing is subject to change without notice.
  - Body dimensions do not include mold flash or protrusion not to exceed 0.006 (0,15).
  - Falls within JEDEC MS-012 variation AA.

# MECHANICAL DATA

MSOT002A – OCTOBER 1994 – REVISED NOVEMBER 2001

## LP (O-PBCY-W3)

## PLASTIC CYLINDRICAL PACKAGE



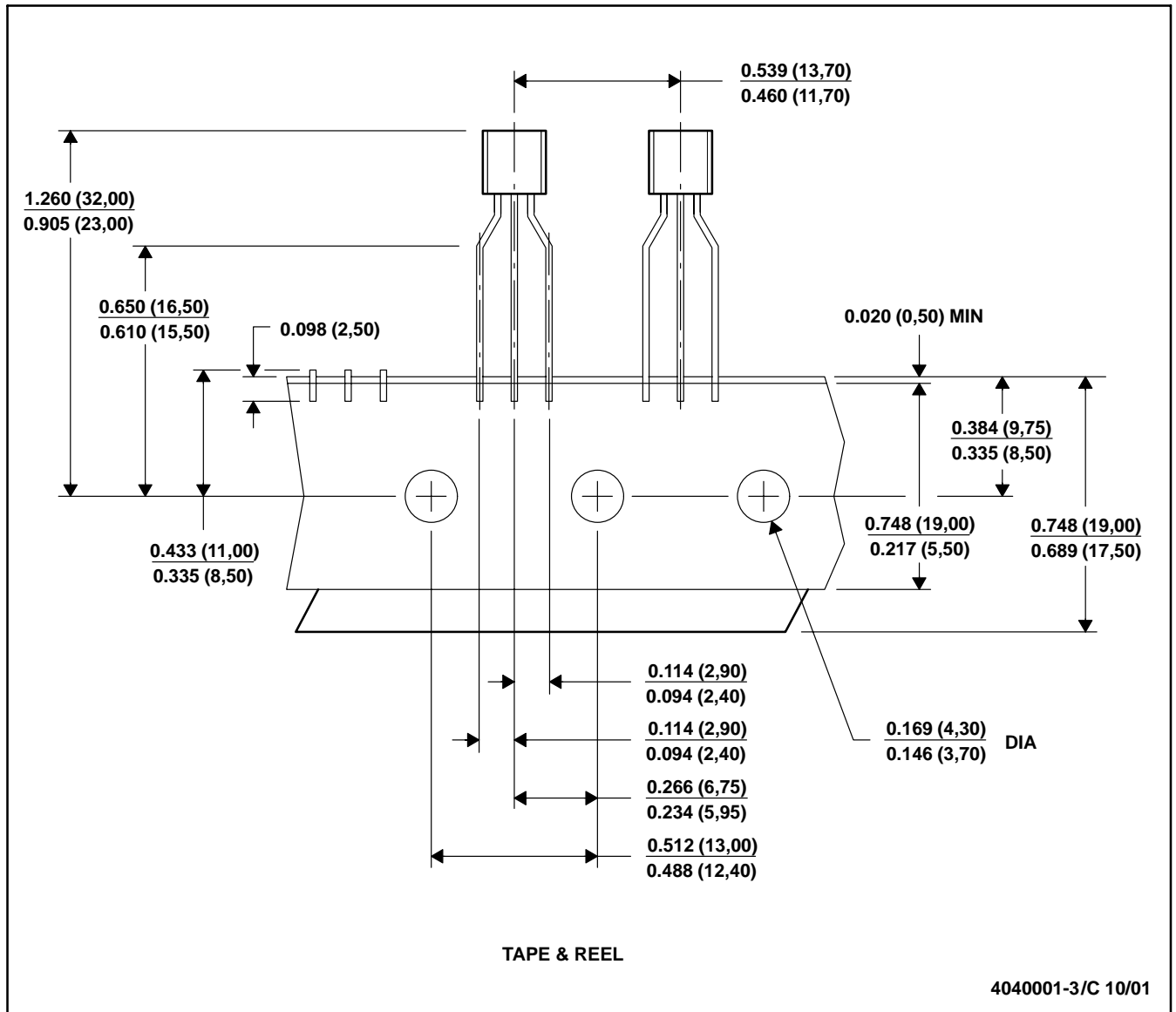
4040001-2/C 10/01

# MECHANICAL DATA

MSOT002A – OCTOBER 1994 – REVISED NOVEMBER 2001

LP (O-PBCY-W3)

PLASTIC CYLINDRICAL PACKAGE



- NOTES: A. All linear dimensions are in inches (millimeters).  
 B. This drawing is subject to change without notice.  
 C. Tape and Reel information for the Format Lead Option package.

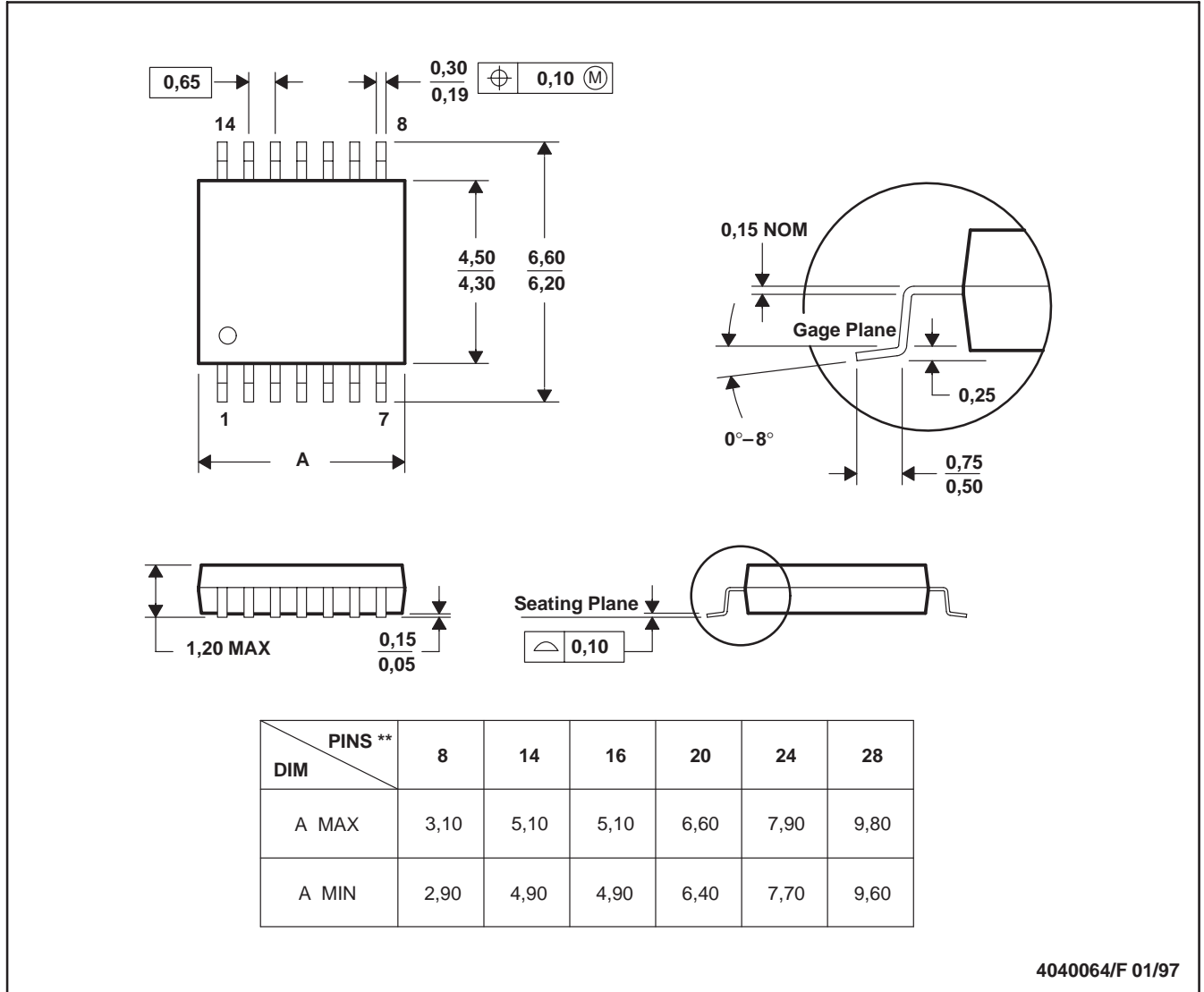
# MECHANICAL DATA

MTSS001C – JANUARY 1995 – REVISED FEBRUARY 1999

**PW (R-PDSO-G\*\*)**

**PLASTIC SMALL-OUTLINE PACKAGE**

14 PINS SHOWN



- NOTES: A. All linear dimensions are in millimeters.  
 B. This drawing is subject to change without notice.  
 C. Body dimensions do not include mold flash or protrusion not to exceed 0,15.  
 D. Falls within JEDEC MO-153

## IMPORTANT NOTICE

Texas Instruments Incorporated and its subsidiaries (TI) reserve the right to make corrections, modifications, enhancements, improvements, and other changes to its products and services at any time and to discontinue any product or service without notice. Customers should obtain the latest relevant information before placing orders and should verify that such information is current and complete. All products are sold subject to TI's terms and conditions of sale supplied at the time of order acknowledgment.

TI warrants performance of its hardware products to the specifications applicable at the time of sale in accordance with TI's standard warranty. Testing and other quality control techniques are used to the extent TI deems necessary to support this warranty. Except where mandated by government requirements, testing of all parameters of each product is not necessarily performed.

TI assumes no liability for applications assistance or customer product design. Customers are responsible for their products and applications using TI components. To minimize the risks associated with customer products and applications, customers should provide adequate design and operating safeguards.

TI does not warrant or represent that any license, either express or implied, is granted under any TI patent right, copyright, mask work right, or other TI intellectual property right relating to any combination, machine, or process in which TI products or services are used. Information published by TI regarding third-party products or services does not constitute a license from TI to use such products or services or a warranty or endorsement thereof. Use of such information may require a license from a third party under the patents or other intellectual property of the third party, or a license from TI under the patents or other intellectual property of TI.

Reproduction of information in TI data books or data sheets is permissible only if reproduction is without alteration and is accompanied by all associated warranties, conditions, limitations, and notices. Reproduction of this information with alteration is an unfair and deceptive business practice. TI is not responsible or liable for such altered documentation.

Resale of TI products or services with statements different from or beyond the parameters stated by TI for that product or service voids all express and any implied warranties for the associated TI product or service and is an unfair and deceptive business practice. TI is not responsible or liable for any such statements.

Following are URLs where you can obtain information on other Texas Instruments products and application solutions:

<b>Products</b>		<b>Applications</b>	
Amplifiers	<a href="http://amplifier.ti.com">amplifier.ti.com</a>	Audio	<a href="http://www.ti.com/audio">www.ti.com/audio</a>
Data Converters	<a href="http://dataconverter.ti.com">dataconverter.ti.com</a>	Automotive	<a href="http://www.ti.com/automotive">www.ti.com/automotive</a>
DSP	<a href="http://dsp.ti.com">dsp.ti.com</a>	Broadband	<a href="http://www.ti.com/broadband">www.ti.com/broadband</a>
Interface	<a href="http://interface.ti.com">interface.ti.com</a>	Digital Control	<a href="http://www.ti.com/digitalcontrol">www.ti.com/digitalcontrol</a>
Logic	<a href="http://logic.ti.com">logic.ti.com</a>	Military	<a href="http://www.ti.com/military">www.ti.com/military</a>
Power Mgmt	<a href="http://power.ti.com">power.ti.com</a>	Optical Networking	<a href="http://www.ti.com/opticalnetwork">www.ti.com/opticalnetwork</a>
Microcontrollers	<a href="http://microcontroller.ti.com">microcontroller.ti.com</a>	Security	<a href="http://www.ti.com/security">www.ti.com/security</a>
		Telephony	<a href="http://www.ti.com/telephony">www.ti.com/telephony</a>
		Video & Imaging	<a href="http://www.ti.com/video">www.ti.com/video</a>
		Wireless	<a href="http://www.ti.com/wireless">www.ti.com/wireless</a>

Mailing Address: Texas Instruments  
Post Office Box 655303 Dallas, Texas 75265