



PCB LAYOUT

(-)Neg Term



#55( $\phi$ .052) Drill 2PL

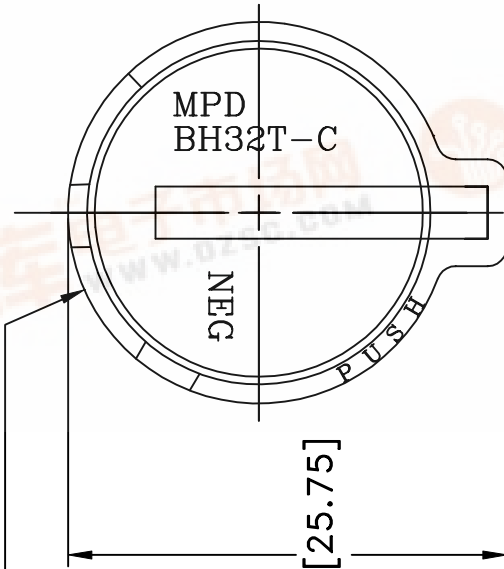
$\pm .015$

.787 (20.00 $\pm$ 0.3)

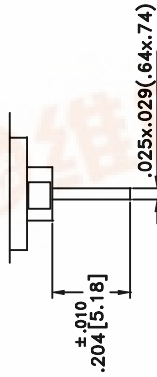
(+)Pos Term



20.95 [ $\phi$ 24.00]

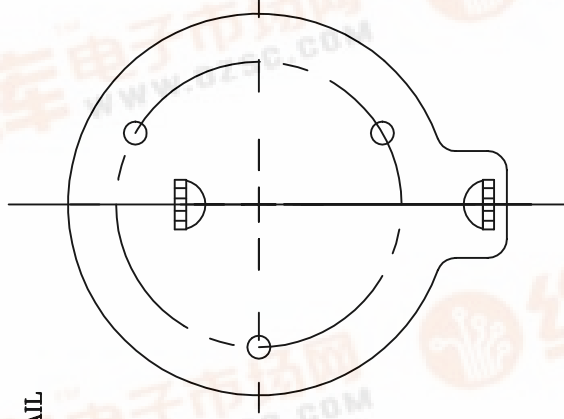


[25.75]



SQUARE CONTACT DETAIL

.02 [0.5]



.081 [2.05]

.267 [6.80]


.150 [3.81]

[查询BH32T-C供应商](#)

[捷多邦, 专业PCB打样工厂, 24小时加急出货](#)

REQUIREMENTS

Under material - Black PBT  
 Immobility rating - UL94V-0  
 Contacts :  
 Positive: PHOS-BRONZE, Nickel Plated 0.0005" thick  
 Negative: spring tempered Stainless Steel,  
 Nickel Pltd .0005' thk

Tolerance (Except as noted)		Memory protection Devices, Inc 200 Broad Hollow Road, Farmingdale, New York 11735
decimal	$\pm .5$ (.020)	Scale Drawn By B.S. Approved By T.B.
Fractional	$\pm .8$ (.030)	Title CR2032 OR BR2032 BATTERY
Angular	$\pm 3^\circ$	Date 02/02/02
		Drawing Number BH32T-C