

June 1989

DP8464B Disk Pulse Detector

General Description

The DP8464B Disk Pulse Detector utilizes analog and digital circuitry to detect amplitude peaks of the signal received from the read/write amplifier fitted with the heads of disk drives. The DP8464B produces a TTL compatible output which, on the positive leading edge, indicates a signal peak. Electrically, these peaks correspond to flux reversals on the magnetic medium. The signal from the read/write amplifier when reading a disk is therefore a series of pulses with alternating polarity. The Disk Pulse Detector accurately replicates the time position of these peaks.

The DP8464B Disk Pulse Detector has three main sections: the Amplifier, the time channel and the gate channel. The Amplifier section consists of a wide bandwidth amplifier, a full wave rectifier and Automatic Gain Control (AGC). The time channel is made from the differentiator and its following bi-directional one shot, while the gate channel is made from the differential comparator with hysteresis, the D flip-flop and its following bi-directional one shot.

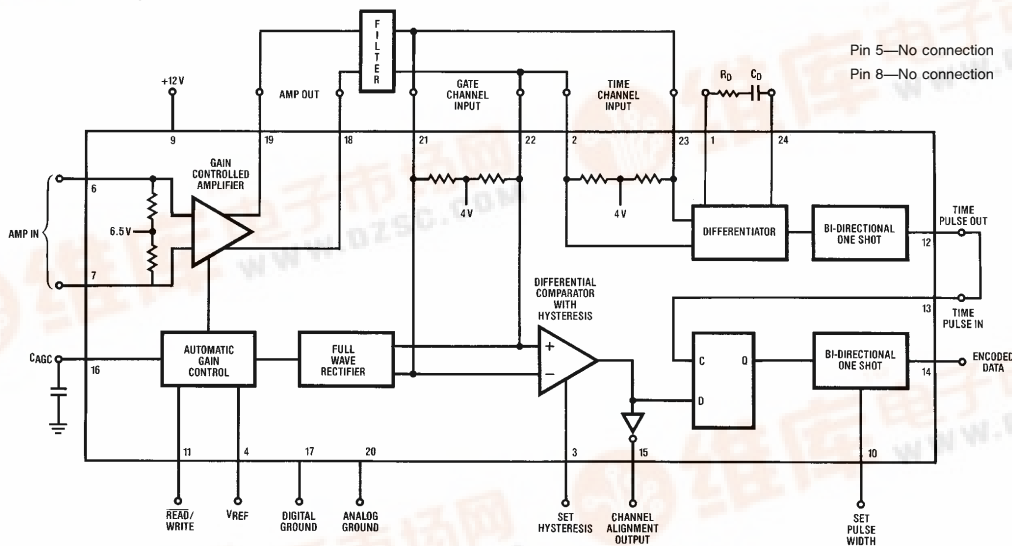
The Disk Pulse Detector is fabricated using an advanced oxide isolated Schottky process, and has been designed to function with data rates up to 15 Megabits/second. The DP8464B is available in either a 300 mil wide 24-pin dual-in-line package or a surface mount 28-pin plastic chip carrier

package. Normally, it will be fitted in the disk drive, and its output may be directly connected to the DP8461 or the DP8465 Data Separator.

Features

- Wide input signal amplitude range—from 20 mVpp to 660 mVpp differential
- Data rates up to 15 Megabits/sec 2,7 code
- On-chip differential gain controlled amplifier, differentiator, comparator gating circuitry, and output pulse generator
- Input capacitively coupled directly from the disk head read/write amplifier
- Adjustable comparator hysteresis
- AGC and differentiator time constants set by external components
- TTL compatible digital Inputs and Outputs
- Encoded Data Output may connect directly to the DP8461 or DP8465 Data Separator
- Standard drive supply: 12V ± 10%
- Available in 300 mil wide 24-pin dual-in-line package, a surface mount 28-pin plastic chip carrier package, or a 40-pin TapePak® package

Block Diagram



Note: All pin numbers in this data sheet refer to the 24-pin dual-in-line package.

TL/F/5283-7

TapePak® is a registered trademark of National Semiconductor Corporation.

DP8464B Disk Pulse Detector



Absolute Maximum Ratings

If Military/Aerospace specified devices are required, please contact the National Semiconductor Sales Office/Distributors for availability and specifications.

	Pins	Limit
Supply Voltage	9	14V
TTL Input Voltage	11,13	5.5V
TTL Output Voltage	12,14,15	5.5V
Input Voltage	3,4	5.5V
Minimum Input Voltage	3,4	-0.5V
Differential Input Voltage	6-7, 21-22, 2-23	3V or -3V
ESD Susceptibility (see Note 5)		

Storage Temperature	-65°C to +150°C
Lead Temp. (Soldering, 10 seconds)	300°C
Maximum Power Dissipation at 25°C	
Molded DIP Package (derate 15.6 mW/°C above 25°C)	1950 mW
Plastic Chip Carrier Package (derate 12.5 mW/°C above 25°C)	1560 mW

Operating Conditions

Symbol	Parameter	Min	Typ	Max	Units
V _{CC}	Supply Voltage	10.8	12.0	13.2	V
T _A	Ambient Temperature	0		70	°C

DC Electrical Characteristics Over Recommended Operating Temperature and Supply Range V_{REF} = 0.5V, Set Hysteresis = 0.3V. Read/Write = 0.3V unless otherwise noted. All Pin Numbers Refer to 24 Pin Dual-In-Line Package.

Symbol	Pins	Parameter	Conditions	Min	Typ	Max	Units
AMPLIFIER							
Z _{INAI}	6,7	Amp In Impedance	T _A = 25°C (Note 1)	0.75	1.0	1.25	kΩ
A _{VMIN}	18,19	Min Voltage Gain	AC Output 4 V _{pp} Differential			6.0	V/V
A _{VMAX}	18,19	Max Voltage Gain	AC Output 4 V _{pp} Differential	200			V/V
V _{CAGC}	16	Voltage on C _{AGC}	A _V = 6.0 A _V = 200	2.8	4.5 3.7	5.5	V V
GATE CHANNEL							
Z _{INGCI}	21,22	Gate Channel Input Impedance	T _A = 25°C (Note 1)	1.75	2.5	3.25	kΩ
I _{CAGC-}	16	Pin 16 Current which Charges C _{AGC}	V _{PIN 16} = 3.9V V _{PIN 21-} V _{PIN 22-} = 1.3 V _{DC}	-1.5	-2.5	-3.5	mA
I _{CAGC+}	16	Pin 16 Current which Discharges C _{AGC}	V _{PIN 16} = 5V V _{PIN 21-} V _{PIN 22-} = 0.7 V _{DC}		1	5	μA
I _{VREF}	4	V _{REF} Input Bias Current			-20	-100	μA
V _{THAGC}	22,21 4,16	AGC Threshold	(Note 2) V _{PIN 16} = 4.2V	0.88	1.0	1.12	V
I _{SH}	3	Set Hysteresis Input Bias Current			-60	-100	μA
V _{THSH}	22,21 3,15	Set Hysteresis Threshold	(Note 3)	0.48	0.6	0.72	V
TIME CHANNEL							
Z _{INTC}	2,23	Time Channel Input Impedance	T _A = 25°C (Note 1)	3.5	5.0	6.5	kΩ
I _{Cd}	24	Current into Pin 1 and 24 that Discharges C _d		1.4	1.8	2.50	mA

DC Electrical Characteristics Over Recommended Operating Temperature and Supply Range $V_{REF} = 0.5V$, Set Hysteresis = 0.3V. Read/Write = 0.3V unless otherwise noted. All pin numbers refer to the 24 pin dual-in-line package. (Continued)

Symbol	Pins	Parameter	Conditions	Min	Typ	Max	Units
WRITE MODE							
Z_{INAI}	6,7	Amp In Impedance in Write Mode	$V_{PIN\ 11} = 2.0V$	50		250	Ω
I_{CAGC-}	16	Pin 16 Current in Write Mode	$V_{PIN\ 11} = 2.0V$ $V_{PIN\ 16} = 3.9V$ $ V_{PIN\ 21-} $ $V_{PIN\ 22} = 1.3\ V_{DC}$		1	5	μA
DIGITAL PINS							
V_{IH}	11,13	High Level Input Voltage		2			V
V_{IL}	11,13	Low Level Input Voltage				0.8	V
V_I	11,13	Input Clamp Voltage	$V_{CC} = \text{Min}$ $I_I = -18\ \text{mA}$			-1.5	V
I_{IH}	11,13	High Level Input Current	$V_{CC} = \text{Max}$ $V_I = 2.7V$			20	μA
I_I	11,13	Input Current at Maximum Input Voltage	$V_{CC} = \text{Max}$ $V_I = 5.5V$			1	mA
I_{IL}	11,13	Low Level Input Current	$V_{CC} = \text{Max}$ $V_I = 0.5V$			-200	μA
V_{OH}	12,14, 15	High Level Output Voltage	$V_{CC} = \text{Min}$ $I_{OH} = -40\ \mu A$ (Note 4)	2.7			V
V_{OL}	12,14, 15	Low Level Output Voltage	$V_{CC} = \text{Min}$ $I_{OL} = 800\ \mu A$ (Note 4)			0.5	V
I_{OS}	12,14, 15	Output Short Circuit Current	$V_{CC} = \text{Max}$ $V_O = OV$			-100	mA
I_{CC}	9	Supply Current	$V_{CC} = \text{Max}$		54	75	mA

AC Electrical Characteristics

Over Recommended Operating Temperature and Supply Range unless otherwise noted

Symbol	Pins	Parameter	Conditions	Typ	Max	Units
DP8464B-2 t_{pp}	14	Pulse Pairing	(See Pulse Pairing Set Up)	± 1.5	± 3	ns
DP8464B-3 t_{pp}	14	Pulse Pairing	(See Pulse Pairing Set Up)	± 2	± 5	ns
DP8464B-1 t_{pp}	14	Pulse Pairing	(See Pulse Pairing Set Up) at 25°C $V_{CC} = 12V$ only	± 0.5	± 1	ns

Note 1: The temperature coefficient of the input impedance is typically 0.05% per degree C.

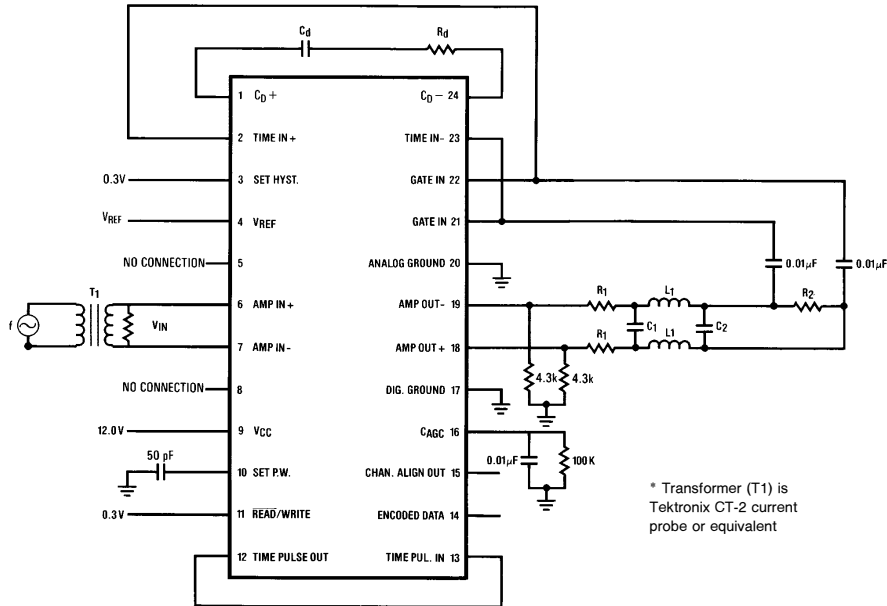
Note 2: The AGC Threshold is defined as the voltage across the Gate Channel Input (pins 21 and 22) when the voltage on C_{AGC} (pin 16) is 4.2V.

Note 3: The Set Hysteresis Threshold is defined as the minimum differential AC signal across the Gate Channel Input (pins 21 and 22) which causes the voltage on the Channel Alignment Output (pin 15) to change state.

Note 4: To prevent inductive coupling from the digital outputs to Amp In, the TTL outputs should not drive more than one ALS TTL load each.

Note 5: The following pins did not meet the 2000V ESD test with the human body model, 120 pF thru 1.5 k Ω : Pins 1, 2, 3, 10, 11, 12, 14, 21, 24.

Pulse Pairing Set Up



TL/F/5283-3

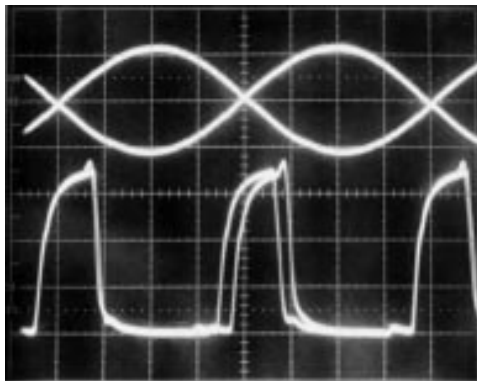
DP8464B

$f = 2.5 \text{ MHz}$
 $V_{IN} = 40 \text{ mV}_{pp}$ differential
 $V_{REF} = 0.50 \text{ V}$
 $C_D = 50 \text{ pF}$
 $R_D = 430 \Omega$

Filter

$R_1 = 240 \Omega$ $R_2 = 680 \Omega$
 $C_1 = 15 \text{ pF}$ $C_2 = 100 \text{ pF}$
 $L_1 = 4.7 \mu\text{H}$

This is a 3 pole Bessel with the corner frequency at 7.5 MHz.



TL/F/5283-4

Pulse Pairing Measurement

Connect a scope probe to pin 14 (Encoded Data Out) and trigger off its positive edge. Adjust the trigger holdoff so the scope first triggers off the pulse associated with the positive peak and then off the pulse associated with the negative peak (as shown in the scope photo below). Pulse pairing is displayed on the second pair of pulses on the display. If the second pulses are separated by 4 ns, then the pulse pairing for this part is $\pm 2 \text{ ns}$.

Circuit Operation

The output from the read/write amplifier is AC coupled to the Amp Input of the DP8464B. The amplifier's output voltage is fed back via an external filter to an internal fullwave rectifier and compared against the external voltage on the V_{REF} pin. The AGC circuit adjusts the gain of the amplifier to make the peak to peak differential voltage on the Gate Channel Input four times the DC voltage on V_{REF} . Typically the signal on Amp Out will be set for 4 Vpp differential. Since the filter usually has a 6 dB loss, the signal on the Gate Channel Input will be 2 Vpp differential. The user should therefore set 0.5V on V_{REF} which can be done with a simple voltage divider from the +12V supply.

The peak detection is performed by feeding the output of the Amplifier through an external filter to the differentiator. The differentiator output changes state when the input pulse changes direction, generally this will be at the peaks. However, if the signal exhibits shouldering (the tendency to return to the baseline), the differentiator will also respond to noise near the baseline. To avoid this problem, the signal is also fed to a gating channel which is used to define a level either side of the baseline. This gating channel is comprised

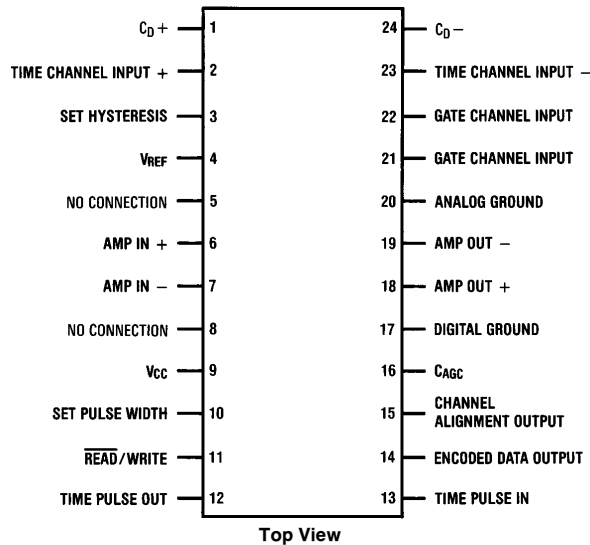
Circuit Operation (Continued)

of a differential comparator with hysteresis and a D flip-flop. The hysteresis for this comparator is externally set via the Set Hysteresis pin. In order to have data out, the input amplitude must first cross the hysteresis level which will change the logic level on the D input of the flip-flop. The peak of the input signal will generate a pulse out of the differentiator and bi-directional one shot. This pulse will clock the new data at the D input through to the output. In this way, when the differentiator is responding to noise at the baseline, the output of the D flop is not changing since

the logic level into the D input has not changed. The comparator circuitry is therefore a gating channel which prevents any noise near the baseline from contaminating the data. The amount of hysteresis is twice the DC voltage on the Set Hysteresis pin. For instance, if the voltage on the Set Hysteresis pin is 0.3V, the differential AC signal across the Gate Channel Input must be larger than 0.6V before the output of the comparator will change states. In this case, the hysteresis is 30% of a 2V peak to peak differential signal at the gate channel input.

Connection Diagrams

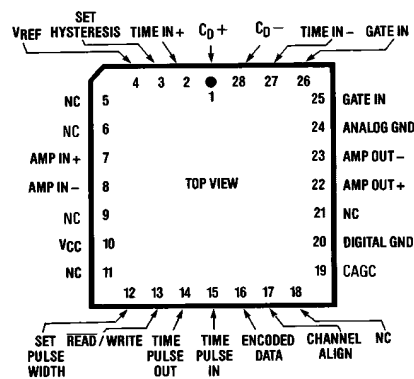
Dual-In-Line (DIP) Package



TL/F/5283-2

Order Number DP8464BN-3 or DP8464BN-2
See NS Package N24C

Plastic Chip Carrier (PCC) Package



TL/F/5283-30

Order Number DP8464BV-3, DP8464BV-2 or DP8464BV-1
See NS Package V28A

Pin Definitions

(All pin numbers refer to the 24 pin dual-in-line package)

Pin #	Name	Function
Power Supply		
9	V _{CC}	The supply is +12V ± 10%.
17	Digital Ground	Digital signals should be referenced to this pin.
20	Analog Ground	Analog signals should be referenced to this pin.
Analog Signals		
6	Amp In +	These are the differential inputs to the Amplifier. The output of the read/write head amplifier should be capacitively coupled to these pins.
7	Amp In -	
18	Amp Out +	These are the differential outputs of the Amplifier. These outputs should be capacitively coupled to the gating channel filter (if required) and to the time channel filter.
19	Amp Out -	
22	Gate Channel Inputs	These are the differential inputs to the AGC block and the gating channel. These inputs must be capacitively coupled from the Amp Out.
2	Time Channel Input +	These are the differential inputs to the differentiator in the time channel. In most applications, a filter between the Amp Out (pins 18 and 19) and these inputs is required to band limit the noise and to correct for any phase distortion introduced by the read circuitry. In all cases this input must be capacitively coupled to prevent disturbing the DC input level.
23	Time Channel Input -	
1	C _d +	The external differentiator network is connected between these two pins.
24	C _d -	
3	Set Hysteresis	The DC voltage on this pin sets the amount of hysteresis on the differential comparator. Typically this voltage can be established by a simple resistive divider from the positive supply.
4	V _{REF}	The AGC circuit adjusts the gain of the amplifier to make the differential peak to peak voltage on the Gate Channel Input equal to four times the DC voltage on this pin. This voltage can be established by a simple resistive divider from the positive supply.
5	No connection	
8	No connection	
16	C _{AGC}	The external capacitor for the AGC is connected between this pin and Analog Ground.

Pin #	Name	Function
Digital Signals		
10	Set Pulse Width	An external capacitor to control the pulse width of the Encoded Data Out is connected between this pin and Digital Ground.
11	Read/Write	If this pin is low, the Pulse Detector is in the read mode and the chip is active. When this pin goes high, the pulse detector is forced into a standby mode. This is a standard TTL input.
12	Time Pulse Out	This is the TTL output from the bi-directional one shot following the differentiator. In most applications this can be connected directly to the Time Pulse In.
13	Time Pulse In	This is the TTL input to the clock of the D flip-flop. Usually this is connected directly to the Time Pulse Out pin.
15	Channel Alignment	This is the buffered output of the differential comparator with hysteresis. This is usually used in the initial system design and is not used in production.
14	Encoded Data Out	This is the standard TTL output whose leading edge, indicates the time position of the peaks.

Application Information

GENERAL DESCRIPTION

All pin numbers refer to 24 pin dual-in-line package.

The DP8464B Disk Pulse Detector utilizes analog and digital circuitry to detect amplitude peaks of the signal received from the Read/Write Amplifier. The analog signal from a disk is a series of pulses, the peaks of which correspond to 1's or flux reversals on the magnetic medium. The pulse detector must accurately determine the time position of these peaks. The peaks are indicated by the positive leading edge of a TTL compatible output pulse. This task is complicated by variable pulse amplitudes depending on the media type, head position, head type and read/write amplifier circuit gain. Additionally, as the bit density on the disk increases, the amplitude decreases and significant bit interaction occurs resulting in pulse distortion and shifting of the peaks.

The graph in *Figure 1* shows how the pulse amplitude varies with the number of flux reversals per inch (or recording density) for a given head disk system. The predominant disk applications are associated with the first two regions on this graph, Regions 1 and 2. Typical waveforms received by the pulse detector for these regions are shown next to the graph.

Application Information (Continued)

Region 1 is the high resolution area characterized by a large spread between flux reversals and a definite return to baseline (no signal) between these peaks. Pulses of this type are predominantly found in drives which use either thin film heads or plated media, or in drives which utilize run length limited codes (like the 2,7 code) which spread the distance between flux reversals.

A Region 2 waveform will vary from a tendency to return to the baseline (called shouldering) to almost sinusoidal at the higher frequencies. These pulses come from drives which use limited frequency codes (such as MFM). The pulses may contain shouldering on the outer tracks of the disk and be nearly sinusoidal on the inner tracks since the flux density increases towards the inner track.

Detecting pulse peaks of waveforms of such variable characteristics requires a means of separating both noise and shouldering-caused errors from the true peaks. In the past, mild shoulder-caused errors were blocked by self-gating circuits (such as the "de-snaker"). These circuits fail when shouldering is extensive, hence the need for the DP8464B which includes a peak sensing circuit and an amplitude sensitive gating channel in parallel.

The main circuit blocks of the DP8464B are shown in *Figure 2*. The output from the read/write amplifier is fed directly to the Amp Input of the DP8464B. This is the input of a Gain Controlled Amplifier. The amplifier's output voltage is fed back via an external filter to an internal fullwave rectifier and compared against the external voltage on the V_{REF} pin. The AGC circuit adjusts the gain of the amplifier to make the peak-to-peak differential Gate Channel input voltage four times the DC voltage on V_{REF} .

The peak detection is performed by feeding the output of the Gain Controlled Amplifier through an external filter to the differentiator. The differentiator output changes state when the input pulse changes direction, generally this will be at the peaks. However, if the signal exhibits shouldering (the tendency to return to the baseline) as seen in Region 1 and the upper part of Region 2, the differentiator will also respond to noise near the baseline. To avoid this, the signal is also fed to a gating channel which is used to define a level either side of the baseline. This gating channel comprises a differential comparator with hysteresis and a D flip-flop. The hysteresis for this comparator is externally set via the Set Hysteresis pin. In order to have valid data out, the input amplitude must first cross the hysteresis level. This will change the logic level on the D input of the flip-flop. The peak of the input signal will generate a pulse out of the differentiator and bi-directional one shot. This pulse will clock in the new data on the D input, which will appear at the Q output. In this way, when the differentiator is responding to noise at the baseline, the output of the D flop is not changing since the logic level into the D input has not yet changed. The comparator circuitry is therefore a gating channel to prevent any noise near the baseline from contaminating the data.

The amount of hysteresis is twice the DC voltage on the Set Hysteresis pin. For instance, if the voltage on the Set Hysteresis pin is 0.3V, the differential Gate Channel Input must be larger than 0.6V ($\pm 0.3V$) before the output of the comparator will change states. The Time Pulse Out, Encoded Data, and Channel Alignment Output are designed to drive 1 standard TTL gate.

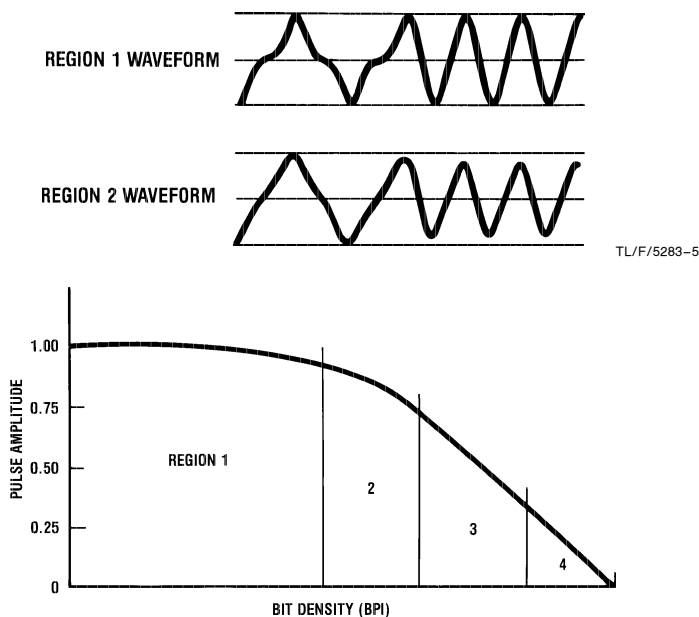
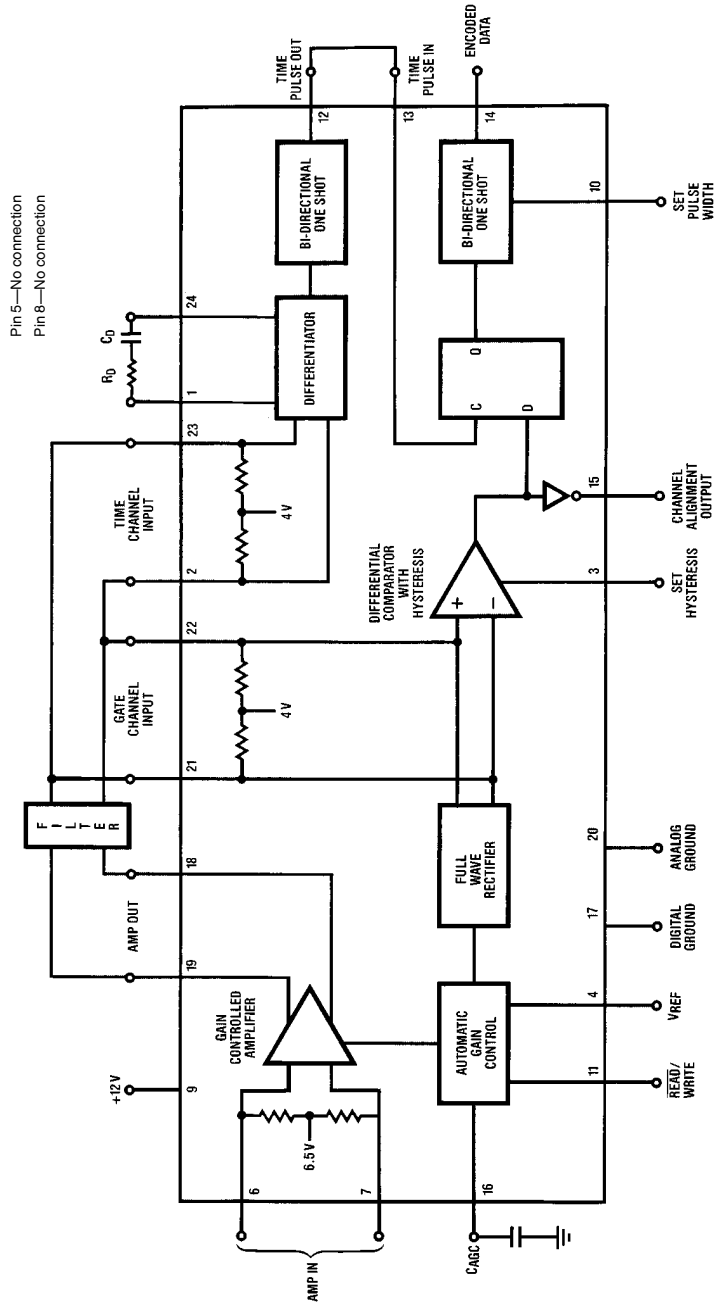


FIGURE 1. Pulse Amplitude vs. Bit Density with Typical Waveforms

Block Diagram



TL/F/6283-7

FIGURE 2. DP8464B Block Diagram, Region 1 Connection

Application Information (Continued)

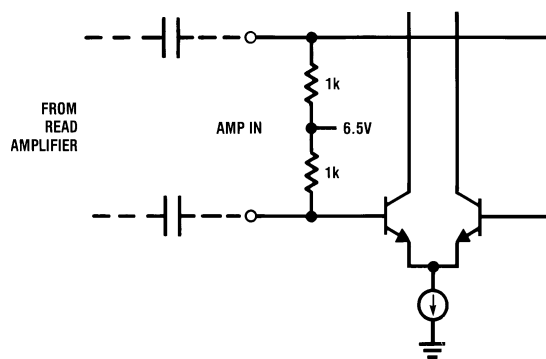
GAIN CONTROLLED AMPLIFIER

The purpose of the Gain Controlled Amplifier is to increase the differential input signal to a fixed amplitude while maintaining the exact shape of the input waveform. The Gain Controlled Amplifier is designed to accept input signals from 20 mVpp to 660 mVpp differential and amplify that signal to 4 Vpp differential. The gain is therefore from 6 to 200 and is controlled by the automatic gain control (AGC) loop. The amplifier output is actually capable of delivering typically 5 Vpp differential output but the parts are only tested and guaranteed to 4 Vpp.

The input to the Gain Controlled Amplifier is shown in *Figure 3*. The value of the input capacitors should be selected so that the pole formed by the coupling capacitor and the 1k bias resistor is a factor of 10 lower than the lowest signal frequency. These input bias resistors have a $\pm 20\%$ tolerance and a temperature coefficient of 0.05% per degree C. When the pulse detector is in the write mode, these bias resistors are automatically shunted by 425 Ω resistors. This allows the input circuit to recover quickly from the large tran-

sients encountered during a write to read transition. The input impedance to the amplifier is therefore 1k during read operations and 300 Ω during write operations.

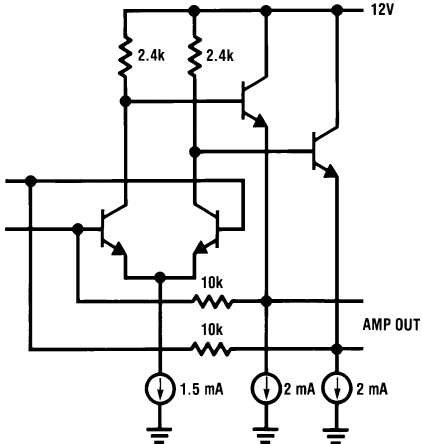
The output of the Gain Controlled Amplifier is shown in *Figure 4*. The outputs are biased at $(12V - (0.75 \text{ mA} \times 2.4k) - 0.75V)$ or 9.5V. Since each output will swing $\pm 1V$ (4 Vpp differential), each output pin will swing from 8.5V to 10.5V. If the total differential load placed on the output is 1k, (see *Figure 5*) then the circuit must supply $2V/1k$ or 2 mA. Since the output is class A, external resistors to ground must be used to provide the sink current. In this case, in order to sink 2 mA at the lowest voltage, then $(8.5V/2 \text{ mA})$ or an external 4.3k resistor from each output to ground is required. Note that the circuit has additional margin since the internal 2 mA current sources were not included in the calculation. Typically the output impedance of the Gain Controlled Amplifier is 17 Ω , and the -3 dB bandwidth is greater than 20 MHz.



TL/F/5283-8

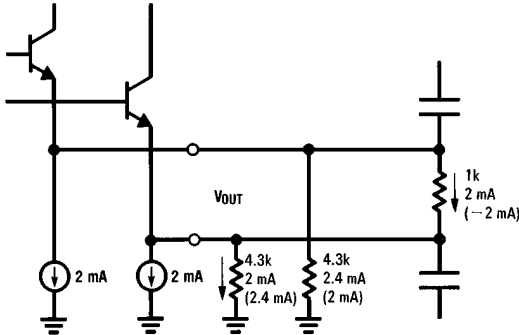
FIGURE 3. Input to Gain Controlled Amplifier

Application Information (Continued)



TL/F/5283-9

FIGURE 4. Output of Gain Controlled Amplifier



TL/F/5283-10

FIGURE 5. Output Stage with 1k Differential Load

Application Information (Continued)

AUTOMATIC GAIN CONTROL (AGC)

The Automatic Gain Control holds the signal level at the Gate Channel Input at a constant level by controlling the gain of the Gain Controlled Amplifier. This is necessary because the amplitude of the input signal will vary with track location, variations in the magnetic film, and differences in the actual recording amplitude. The Gain Controlled Amplifier is designed for a maximum 4 Vpp differential output. To prevent the Gain Controlled Amplifier from saturating, the V_{REF} level must be set so the maximum amplifier output voltage is 4 Vpp. The AGC will force the differential peak-to-peak signal on the Gate Channel Input to be four times the voltage applied to the V_{REF} pin. Normally some kind of filter is connected between the Gain Controlled Amplifier's output and the Gate Channel Input. Typically this filter has a 6 dB insertion loss in its pass band. Since the AGC holds the amplitude at the Gate Channel Input constant, this 6 dB loss through the Gate Channel filter will cause the Gain Controlled Amplifier's output to be 6 dB larger than the Gate Channel Input.

The AGC loop starts out in the high gain mode. When the input signal is larger than expected, the AGC loop will quickly reduce the amplifier gain so the peak-to-peak differential voltage on the Gate Channel Input remains four times the voltage on V_{REF} . If the input amplitude suddenly drops, the AGC loop will slowly increase the amplifier gain until the differential peak-to-peak Gate Channel Input voltage again reaches four times V_{REF} . The AGC loop requires several peaks to react to an increased input signal. In order to recover the exact peak timing during this transition, the V_{OUT} level must be set somewhat lower than the maximum of 4 Vpp. For instance, if the V_{REF} is 0.5V, and if the loss in the gate channel filter is 6 dB, then the Amp Output is 4 Vpp. If the Amp Input suddenly increases 30%, the amplifier may saturate and the timing for a few peaks may be disturbed until the AGC reduces the amplifier gain. If the peak detec-

tion is critical during this time, the system may fail. The proper operation, for this example, is to set the V_{REF} at 0.35V so the amplifier will not saturate if the input suddenly increases 30%.

A simplified circuit of the AGC block is shown in *Figure 6*. When the full wave rectified signal from the Gate Channel Input is greater than V_{REF} , the voltage on the collector of transistor T1 will increase and charge up the external capacitor C_{AGC} through T2. The typical available charging current is 2.5 mA. Conversely, if this input is less than V_{REF} , transistor T2 will be off, so the capacitor C_{AGC} will be discharged by the base current going into the Darlington T3 and T4. This discharge current is approximately 1 μ A. The voltage across C_{AGC} controls the gain of the Gain Controlled Amplifier. This voltage will vary from typically 3.4V at the highest gain to 4.5V at the lowest gain.

When the AGC circuit has not received an input signal for a long time, the base current of the Darlington will discharge the external C_{AGC} to 3.4V. The amplifier will now be at its highest gain. When a large signal comes in, the external C_{AGC} will be charged up with the 2.4 mA from T2 thereby reducing the gain of the amplifier. The formula, $I = C \times (dV/dt)$ can be used to calculate the time required for the amplifier to go from a gain of 200 to a gain of 6. For instance, if $C_{AGC} = 0.01 \mu$ f, the charging current I is 2.4 mA, and the dV required for the amplifier to go through its gain range is 1.1V, then

$$dt = (0.01 \mu F \times 1.1V) / (2.4 \text{ mA}) \text{ or } 4.6 \mu s.$$

In reality, the gain does not change this quickly since the C_{AGC} would only be charging during a portion of the input waveform.

By using the same argument, the time required to increase the amplifier gain after the input has been suddenly reduced can be calculated. This time, the discharging current is only 1 μ A so

$$dt = (0.01 \mu F \times 1.1V) / 1 \mu A \text{ or } 11 \text{ ms.}$$

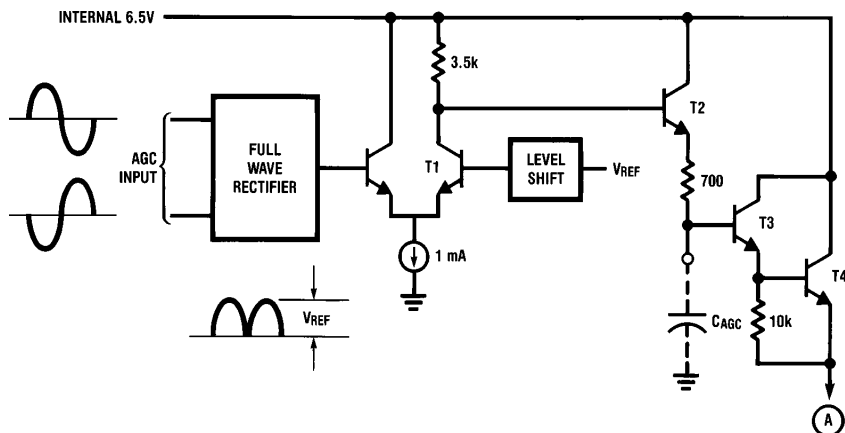


FIGURE 6. Simplified AGC Circuit

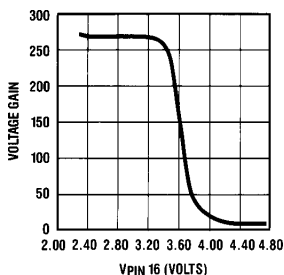
TL/F/5283-11

Application Information (Continued)

This time can be decreased by placing an external resistor across the C_{AGC} . For instance, if a 100k resistor is placed in parallel with C_{AGC} , then the discharge current is 40 μ A. The time required to increase the amplifier gain is now 40 times faster or 275 μ s. If this external resistor is made even smaller, say 10k, then the discharge time will go to 27.5 μ s. Now however, there is another problem introduced. The response time of the AGC is so fast that it distorts the signal at the output of the Gain Controlled Amplifier. Distortion of the signal at the Amplifier Output can affect the time position of the peaks of this signal. Be sure to check this distortion over the range of input levels you expect to encounter, when choosing the external R and C values for the AGC.

If the value of the bleed resistor across the C_{AGC} is decreased (in order to equalize the AGC attack and decay times) the value of C_{AGC} must be increased in order to maintain an AGC response that does not distort the signal. There is a second order effect on the amplitude that results from this attack and decay time equalization. Referring to *Figure 2*, notice that the AGC is driven from a full wave rectified version of the Gate Channel Input signal. When the AGC is operated normally (ie. fast attack and slow decay) the voltage that appears across C_{AGC} is the peak detected value of this full wave rectified waveform. However, if you equalize the AGC attack and decay times the voltage across C_{AGC} is the RMS voltage (0.707 times the peak) of the full wave rectified waveform. Thus, the voltage across C_{AGC} is less and the amplitude out of the Gain Controlled Amplifier will consequently be 1.4 times larger.

It is possible to externally drive the C_{AGC} pin to control the gain of the amplifier. It must be noted that the gain of the amplifier is not always exactly 200 when the voltage on C_{AGC} is 3.4V. The transfer curve between the gain of the amplifier and the voltage on C_{AGC} is only approximate. This transfer curve will vary between parts and with temperature. Care should be taken to prevent the voltage on the C_{AGC} pin from going below ground or above 5.5V. *Figure 7* shows a typical curve of the Gain Controlled Amplifier Gain vs. the voltage across C_{AGC} ($V_{pin 16}$).



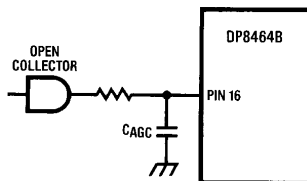
TL/F/5283-12

FIGURE 7. Gain Controlled Amplifier Gain vs. Vpin 16

It is possible to change the time constant of the AGC circuit by switching in different external components at the desired times. For instance, as shown in *Figure 8*, an external open collector TTL gate and resistor can be added in parallel with C_{AGC} to decrease the AGC response time. Similarly, an external capacitor could be switched in to increase the response time. Since in the absence of an external resistor the discharge time of C_{AGC} is much longer than the attack

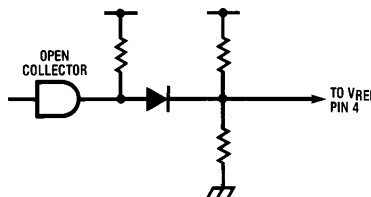
time there may be some applications where it is desirable to switch in a parallel resistor to quickly discharge C_{AGC} then switch it out to force a quick attack. Because of the quick attack time, the AGC obtains the proper level quicker than it would had C_{AGC} simply been allowed to discharge to the new level.

There are some applications where it is desirable to hold the AGC level for a period of time. This can be done by raising the READ/WRITE pin. This will shut off the input circuitry, and it will take time (about 2.5 μ s) for the circuit to recover when going back into the read mode. *Figure 9* shows a method to hold the AGC level while remaining in the read mode (which could be used in embedded servo applications). If the voltage on V_{REF} is raised to 3V, then the amplifier output voltage cannot get large enough to turn on the circuitry to charge up C_{AGC} . For this to work properly, there can not be a large discharge current path (resistor in parallel with C_{AGC}) across C_{AGC} . The AGC block can be bypassed altogether by connecting V_{REF} to 3V. In this way, the user can use his own AGC circuit to drive the C_{AGC} pin directly.



TL/F/5283-13

FIGURE 8. Circuit to Decrease AGC Response Time



TL/F/5283-14

FIGURE 9. Circuit for AGC Hold

READ/WRITE

In the normal read mode, the signal from the read/write head amplifier is in the range of 20 mVpp to 660 mVpp. However, when data is being written to the disk, the signal coming into the analog input of the pulse detector will be on the order of 600 mV. Such a large signal will disturb the AGC level and would probably saturate the amplifier. In addition, if a different read/write amplifier is selected, there will be a transient introduced because the offset of the preamplifiers are not matched. A $\overline{\text{READ}}/\text{WRITE}$ input pin has been provided to minimize these effects to the pulse detector. This is a standard TTL input.

When the $\overline{\text{READ}}/\text{WRITE}$ pin is low, the pulse detector is in the read mode. When the $\overline{\text{READ}}/\text{WRITE}$ pin is taken high, three things happen. First, the 1k resistors across the AMP IN pins are shunted by 300 Ω resistors, as described previously in the Gain Controlled Amplifier section. Next, the amplifier is squelched so there is no signal on the Amp Output.

Application Information (Continued)

Finally, the previous AGC level is held. This AGC hold function is accomplished by not allowing any current to charge up the external C_{AGC} . The voltage across this capacitor will slowly reduce due to the bias current into the Darlington (see *Figure 6*) or through any resistor placed in parallel with C_{AGC} . Therefore, as described in the Automatic Gain Control section, the gain of the amplifier will slowly increase. All of these three events happen simultaneously.

When the READ/WRITE input is returned low, the pulse detector will go back to the read mode in a specific sequence. First of all, the input impedance at the Amp In is returned to 1k. Then, after approximately 1 μ s, the Gain Controlled Amplifier is taken out of the squelch mode, and finally approximately 1 μ s after that, the AGC circuit is turned back on. This return to the read mode is designed to minimize analog transients in order to provide stable operation after 2.5 μ s. It is very important that the analog input be stable before the chip is returned to the read mode. It is recommended that other than when writing, the Pulse Detector be in the read mode at all times in order to prevent the 2.5 μ s delay from slowing up the system. The READ/WRITE pin may be connected to the Write Gate output of a controller (such as the DP8466 Disk Data Controller).

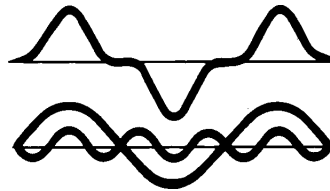
TIME CHANNEL FILTER

The peak detection is performed by feeding the output of the Gain Controlled Amplifier through an external filter to the differentiator. The differentiator output changes state when the input pulse changes direction, generally this will be at the peaks. The differentiator can also respond to noise near the baseline, in which case the comparator gating channel will inhibit the output. The purpose of the external filter is to bandwidth limit the incoming signal for noise considerations. Care must be used in the design of this filter to ensure the delay is not a function of frequency. For this reason, a high order Bessel filter with its constant group delay characteristics can be used in this application. Often, this filter must be specifically designed to correct errors introduced by the non-ideal phase characteristics of the input read head. The typical -3 dB point for this filter is around 1.5 times the highest recorded frequency. The design of this filter is complex and will not be discussed here. However, the following discussion does give a feel for some of the considerations involved in the filter design. The reader is referred to reference #3 listed at the end of the Applications Notes for further filter design information.

Figure 10 shows a typical Region 1 waveform where there is no bit interaction. This waveform is primarily the sum of the fundamental frequency and its 3rd harmonic (higher odd harmonics are present when there is more shouldering).

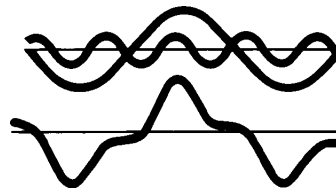
If the filter is to preserve this wave shape (this would be the case if no read/write head phase compensation were necessary) then the phase relationship between the fundamental frequency and its harmonics must not be altered. *Figure 11* shows the output when the 3rd harmonic has the proper magnitude, but the phase relationship is not maintained. The result is that the output waveform is not the same shape as the input (in a severe case it may be almost unrecognizable) and the time position of the peaks has been altered.

One electrical parameter which describes how well a filter will preserve a wave shape is called group delay. Group delay is defined as the change in phase divided by the change in frequency. If the group delay is constant over the



TL/F/5283-15

FIGURE 10. Typical Region 1 Waveform



TL/F/5283-16

FIGURE 11. Region 1 Waveform with the Incorrect Phase Relationship

frequencies of interest, then the wave shape will be maintained. An MFM coded signal will contain three basic frequency components for the various digital patterns of data. For instance, a 10 Megabit/sec MFM signal will consist of analog frequencies of 2.5 MHz, 3.33 MHz and 5 MHz. On the outer track the bit density is the lowest and the 5 and 3.33 MHz signals will look sinusoidal while the 2.5 MHz signal will have a tendency to return to the baseline. This returning to the baseline is called shouldering and is illustrated in *Figure 10*. Since this shouldering is rich in 3rd harmonic—the 2.5 MHz signal will have a strong 7.5 MHz component. The 10 Megabit/sec MFM signal will therefore have 2.5 MHz, 3.33 MHz, 5 MHz, and 7.5 MHz components which must be filtered with constant group delay in order to reproduce the original waveform. For example, if the phase shift through the filter at 2.5 MHz is 33.3° , then at 3.33 MHz the phase shift must be 44.3° , at 5 MHz— 66.6° , and at 7.5 MHz— 99.9° . The group delay $\frac{d\theta}{dt}$ for this case is

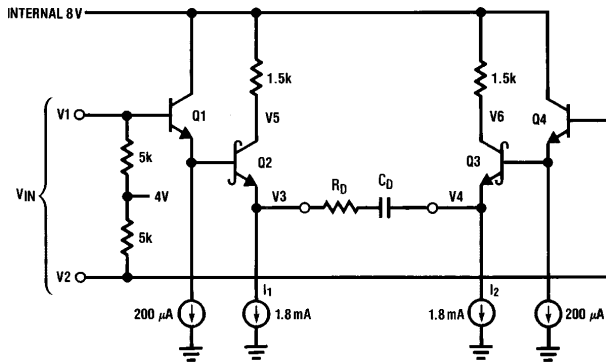
$13.32^\circ/\text{MHz}$. This can be better interpreted as a time delay. 33.3° of a 2.5 MHz signal is equivalent to $(33.3/360) \times (1/2.5 \text{ MHz})$ or 37 ns. Similarly, 66.6° on a 5 MHz signal is $(66.6/360) \times (1/5 \text{ MHz}) = 37 \text{ ns}$.

The third order Bessel Filter as shown in the 10 Mbit/sec. pulse pairing measurement board on the data sheet is designed for a constant group delay and a -3 dB point of 7.5 MHz. At this frequency the delay through the filter is 35 ns. The Gain Controlled Amplifier of the DP8464B is designed for a group delay of a 7.8 ns ± 0.5 ns for frequencies up to 7.5 MHz. The 7.8 ns delay in the Gain Controlled Amplifier and the 37 ns delay in the Bessel Filter do not introduce any timing error, only a delay of 44.3 ns from the Amp Input to the output of the filter.

DIFFERENTIATOR

A simplified circuit of the first stage of the differentiator is shown in *Figure 12*. The voltages at V3 and V4 are simply two diodes down from V1 and V2. Therefore the voltage

Application Information (Continued)



TL/F/5283-17

FIGURE 12. Simplified Differentiator First Stage

across the external differentiator network (C_d in series with R_d) is the differential input voltage $V1 - V2$. When R_d is zero, the current through C_d is $I = C \times (dV/dt)$ or $C_d \times (dV_{IN}/dt)$. The Q2 collector current is the sum of the 1.8 mA current source plus the current through C_d or

$$1.8 \text{ mA} + C_d \times (dV_{IN}/dt).$$

Similarly, the Q3 collector current is

$$1.8 \text{ mA} - C_d \times (dV_{IN}/dt).$$

Therefore, the differentiator output voltage, $V5 - V6$ is

$$1.5k \times 2 \times C_d \times (dV_{IN}/dt).$$

The input is at a peak when $V5 - V6 = 0V$.

The differentiator network (C_d and R_d) should be selected so the maximum current into the differentiator network is not greater than the minimum current of I1 and I2 over temperature. In the electrical specifications, the minimum current is specified for 1.4 mA (I_{CD} Current into Pin 1 and 24 that discharges C_d). For example, the highest analog frequency in a 10 Megabit/sec, MFM signal is 5 MHz. Since the AGC loop has forced the input to the differentiator to 2 V_{PP} (which includes the 6 dB loss of the filter), then the voltage across the capacitor (assuming R_d is 0) is:

$$V_{IN} = 1 \times \sin(2 \times \pi \times 5E6 \times t)$$

and

$$dV_{IN}/dt = 1 \times 2 \times \pi \times 5E6 \times \cos(2 \times \pi \times 5E6 \times t)$$

and the maximum slope is

$$(dV_{IN}/dt)_{\text{max}} = 1 \times 2 \times \pi \times 5E6 = 314E5 \text{ V/sec.}$$

For this example, C_d can now be calculated. Since $I = C \times (dV/dt)$, then for $I = 1.4 \text{ mA}$, $dV/dt = 314E5$, then the maximum C_d must equal 45 pF. From this example, a following simple design equation for the value of C_d can be derived.

$$C_d = 445/(V_{IN} \times f_{\text{max}})$$

where

C_d is the maximum external differentiator capacitor in pF

V_{IN} is the peak to peak differential Time Channel input voltage

f_{max} is the maximum analog frequency in MHz

Note that this is the maximum value for the capacitor when the series resistor R_d is zero. The value of the capacitor can be increased if a series resistor is used, but the maximum current through the differentiator network must not exceed 1.4 mA. If too large a value for C_d is used, the delay through the differentiator will become dependent on frequency. This will not show up in a single frequency test such as a test for pulse pairing.

For the MFM code, the maximum analog frequency is $1/2$ the data rate. For the $1/2(2,7)$ code, the maximum analog frequency is $1/3$ the data rate. The above sinusoidal analysis is valid as long as the highest frequency on the outer track is nearly sinusoidal. If, however, there is significant shouldering of this signal then the value of C_d should be reduced accordingly.

The following table summarizes the value of C_d to use for a 2 V_{pp} differential signal to the time channel input.

Data Rate	Code	Maximum Frequency	C_d
5 mbits/sec	MFM	2.5 MHz	90 pF
5 mbits/sec	2,7	1.6 MHz	140 pF
10 mbits/sec	MFM	5.0 MHz	45 pF
10 mbits/sec	2,7	3.3 MHz	67 pF

As noted above, the value of the capacitor can be increased if a series resistor is used, but the maximum current through the differentiator network must not exceed 1.4 mA. For example, the components used in the Pulse Pairing Setup (see AC Electrical Specifications) are for a typical 10 Mbts/sec MFM drive. The combination of the C_d of 50 pF and the R_d of 430Ω gives a combined impedance of 768Ω at the highest frequency of 5 MHz. This gives a maximum current of 1.3 mA—well below the 1.4 mA limit.

A resistor is placed in series with C_d in order to bandlimit the differentiator response. This resistor also has an effect on the phase linearity of the differentiator. An ideal differentiator produces an output that is 90 degree phase shifted from the input regardless of the input frequency. The presence of the series resistor produces an output phase shift that is less than 90 degrees and changes with the input frequency. This resistor can be used to correct for frequency related phase problems encountered elsewhere in the read path.

Application Information (Continued)

To properly decode the information on the disk, the read channel must determine if there is a peak (or a "1") during a period of time called a detection window. The detection window for MFM and the (2,7) code is

$$1/(2 \times \text{data bit rate}).$$

This detection window must accommodate errors in many parts of the system including filters, data separator, and peak shift variations in the data pattern. The pulse pairing of the DP8464B should be included in the error budget calculation.

Unequal delays through the bi-directional one shots will contribute to pulse pairing. To minimize this effect, pin 2 should be connected to 22 and pin 23 should be connected to 21. If connected this way, the delays tend to cancel. For the PCC Package, Pin 26 to Pin 2, and Pin 25 to Pin 27.

DIFFERENTIAL COMPARATOR WITH HYSTERESIS

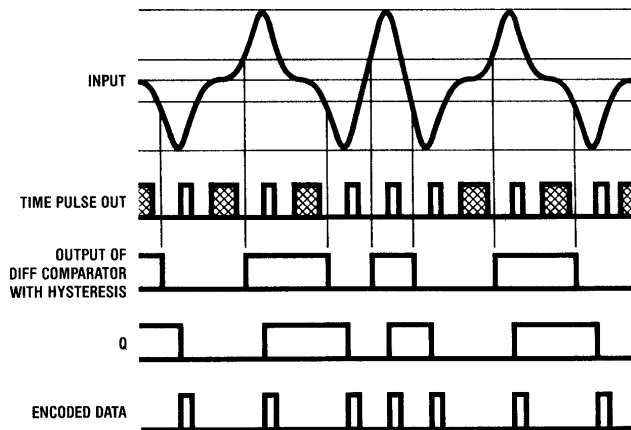
The actual peak detection is done in the time channel with the differentiator. Unfortunately, the differentiator not only responds to signal peaks but also responds to noise at the baseline. In order to prevent this noise from generating false data, the signal at the output of the Gain Controlled Amplifier is also passed through a gating channel which prevents any output change before the input signal has crossed an established level. This gating channel comprises a differential comparator with hysteresis and a D flip-flop. The hysteresis for this comparator is set externally via the Set Hysteresis pin. The amount of hysteresis is twice the voltage on the Set Hysteresis pin. For instance, if the voltage on the Set Hysteresis pin is 0.3V, the differential input signal must be larger than 0.6V ($\pm 0.3V$) before the output of the comparator will change states. The 0.6V hysteresis represents 30% of a typical 2V differential input signal level to the

gating channel. The hysteresis level is usually set between 15% to 40% of the differential input signal.

The operation of the gating channel is shown in *Figure 13*. At the top is a typical Region 1 waveform which exhibits shouldering on the lowest frequency and is almost sinusoidal on the highest frequency. In this example, this waveform is fed to both the timing and the gating channel. The hysteresis level (of about 25%) has been drawn on this waveform. The second waveform is the output of the differentiator and its bi-directional one shot. This is the waveform on the Time Pulse Out pin. While there is a positive edge pulse at each peak, there is also noise at the shoulders. In this example, the Time Pulse Out is connected directly to the Time Pulse In without any external delay. This output is therefore the clock for the D flip-flop.

The third waveform in *Figure 13* is the output of the Comparator with Hysteresis which goes to the D input of the flip-flop. The true peaks are the first positive edges of the Time Pulse Out which occur after the output of the comparator has changed states. The D flip-flop will "clock" in these valid peaks to the output bi-directional one shot. Therefore, the noise pulses (due to the differentiator responding to noise at the baseline) just "clock" in the old data through the flip-flop and the output does not change.

The Q output of the flip-flop drives the output bidirectional one-shot which generates the positive edges corresponding to the peaks. The width of the data pulses can be controlled by an external capacitor from the Set Pulse Width pin to ground. This pulse width can be adjusted from 20 ns to $1/2$ the period of the highest frequency. Typical values for this capacitor are 20 pF for a 25 ns pulse width to 100 pF for a 100 ns pulse.



TL/F/5289-19

FIGURE 13. Time and Gate Channel Operation for Region 1 Signals

Application Information (Continued)

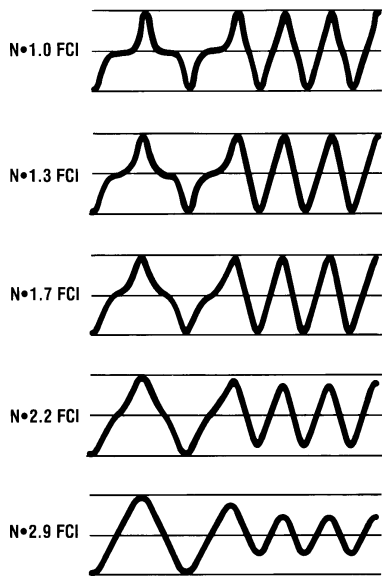
PULSE DETECTOR OPERATION IN REGIONS 1 AND 2

Figure 14 shows the input waveform for the lowest frequency followed by the highest frequency for an MFM code. In MFM the highest frequency is twice the lowest frequency. The outer track has the least flux changes per inch (FCI) and is illustrated in the waveforms at the top. There is so much room between the pulses that the signal returns to the baseline for the lowest frequency while there is shouldering at the highest frequency. As you go towards the inner track, the pulses become more crowded and bit interaction occurs. At the third curve down ($N \times 1.7$ FCI), there is shouldering at the lowest frequency while the highest frequency is almost sinusoidal. At higher bit densities, the lowest frequency looks sinusoidal, while the highest frequency is decreasing in amplitude. In Figure 14, the first three waveforms are examples of Region 1 operation (very little change in amplitude with frequency). The last two waveforms are examples of Region 2 operation.

In a disk system, the bit density changes about a factor of 1.7 between the inner and the outer track. For instance, if

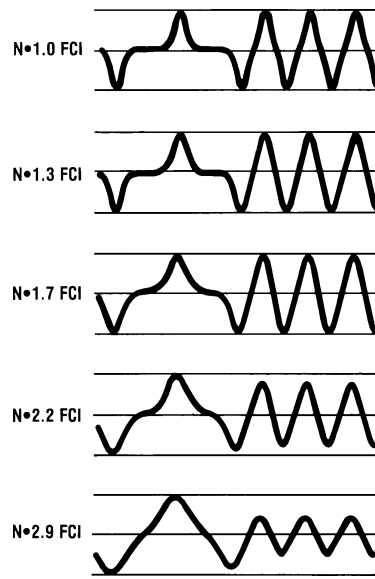
the input waveform for the F-2F signal on the inner track of a system looks similar to waveform #4 in Figure 14 ($N \times 2.2$ FCI), then the outer track will have a bit density that is approximately $N \times 2.2/1.7$ or $N \times 1.3$ FCI. This is shown in the second waveform. Tracks half the way in will have a bit density of the average between the inner and outer tracks, in this case $N \times 1.7$ FCI which is illustrated in the third waveform. Note that the analog waveforms change considerably with track location. Self-gating circuits ("desnakers") can be used in MFM systems which operate in these last three curves (from $N \times 1.7$ FCI to $N \times 2.9$ FCI). If the FCI becomes much less, the shouldering on the lowest frequency will let in too much noise. If the FCI is increased, the peak resolution gets very poor. Now we can compare these waveforms to longer run length limited codes.

Figure 15 shows the analog waveform for the lowest frequency followed by the highest frequency for a 2,7 code. In the 2,7 code, the frequency range is from F to $2.66 \times F$. Unlike the MFM code, there is no region where the self-gating "desnaker" will work on both the inner and outer tracks.



TL/F/5283-20

FIGURE 14. MFM F-2F Pulse Waveforms for Various Flux Changes per Inch



TL/F/5283-21

FIGURE 15. F-2.66 \times F Pulse Waveforms for Various Flux Changes per Inch

Application Information (Continued)

The simplest operation is for systems operating entirely in Region 1, that is, no amplitude reduction between the highest and the lowest frequency at the inner track. The inner track is specified because the pulse interaction is most severe on the inner track. For Region 1 operation, only the Time Channel filter is required, so the Gate Channel Input is connected to the Time Channel Input. Since no external time delay is required to align the time and gate channels, the Time Pulse Out is connected directly to the Time Pulse In. The Region 1 connection is shown in *Figure 2*. The internal timing for this operation is shown in *Figure 13*.

If there is significant amplitude reduction at the highest frequency, the peak detection becomes more complex. If the worst case waveform is like the fourth waveform on *Figure 14*, then the Region 1 connection might still work satisfactorily. However, if the input begins to approach the fifth waveform, this system configuration will completely fail. One problem is that the AGC will respond to the frequency dependent amplitude modulation and distort the waveform.

Figure 16 illustrates this problem which is encountered in systems operating in Region 2. If the input digital pattern suddenly shifts from a high frequency to a low frequency, the bit density may shift from the 70% level on the BPI curve of *Figure 1* to a point at 90% on the BPI curve. As shown, the AGC loop is correcting for this frequency-induced change in amplitude by quickly decreasing the amplifier gain. The situation gets worse if the input digital pattern shifts back to a high frequency. The AGC loop now cannot quickly increase the amplifier gain, so the output waveform will very slowly increase. The AGC response to frequency related amplitude change is not desirable since the AGC is now distorting the input waveform. This can be prevented by inserting a lead network between the Gain Controlled Amplifier's output and the AGC input, as shown in *Figure 17*. This will increase the amplitude of the higher frequency into the AGC, thereby preventing the AGC from changing gain.

Another problem encountered in Region 2 operation is that the amplitude of the highest frequency may be so low that it may not trip the hysteresis level. If this happens, these peaks would not be gated on to the output. This problem can also be corrected by placing a separate filter to the gating channel which will make the amplitude of the highest frequency equal the amplitude of the lowest frequency. This is illustrated in the following example.

Consider a disk system which uses the 2,7 code and has an input at the inner track which looks like the fifth waveform in *Figure 15*. Since the flux density on the outer track is 1/1.7 times the flux density of the inner track, the outer track waveform will look like the third waveform. One filter cannot perfectly compensate both these extremes, so we design to

compensate a waveform between these two. The track which is $\frac{2}{3}$ of the way in towards the inner track is a good compromise. The filter in this example is a single zero placed such that the lowest frequency followed by the highest frequency have the same amplitude on the track $\frac{2}{3}$ of the way in. *Figure 18* shows the operation of the inner track of this example. While the gating channel filter has made the amplitudes of the two frequencies nearly the same, the time relationship to the Time Channel Input has not been preserved. The proper operation is to have the positive edge of the signal at the Time Pulse In pin, which corresponds to a peak, be the first positive edge after the output of the comparator has changed states. This can be accomplished either of two ways. One way is to insert an external delay between the Time Pulse Out and the Time Pulse In as shown in *Figure 18*. The required delay can be determined by comparing the Time Pulse Out to the Channel Alignment Output with both external filters in the circuit. Another way is to design the Time Channel Filter with more group delay. This will probably require additional poles.

Figure 19 shows the outer track operation of our example. Notice how the system has taken care of the shoulder-induced-noise on the Time Pulse Out. The external delay has shifted the Time Pulse In so the noise is not clocking in new data to the flip-flop. It is important to select this delay such that the positive edge corresponding to a signal peak is always the first positive edge after the output of the comparator has changed states.

While the gating filter has equalized the amplitudes between the highest and the lowest frequency, the amplitude between the inner and the outer track has not been held constant. This can be seen by comparing the Gate Channel Input between *Figure 18* and *Figure 19*. In order to avoid saturating the Gain Controlled Amplifier, the voltage on the V_{REF} pin must be set so that the voltage out of the Gain Controlled Amplifier is 4 Vpp or less for all tracks. The low frequency signal on the inner track contains far more fundamental frequency than the low frequency level on the outer track. Consequently, the low frequency inner track signal will experience more attenuation than the low frequency outer track signal in passing through the gating channel filter which, for this example, has been optimized to pass higher frequencies. The AGC tends to hold the input to the gating channel constant for a fixed V_{REF} level. Therefore the largest output from the Gain Controlled Amplifier is for the low frequency inner track signal. The voltage on V_{REF} should be adjusted so that the differential output swing of the Gain Controlled Amplifier is 4 Vpp maximum for this signal. This means that the output voltage on the outer track will be less than 4 Vpp.

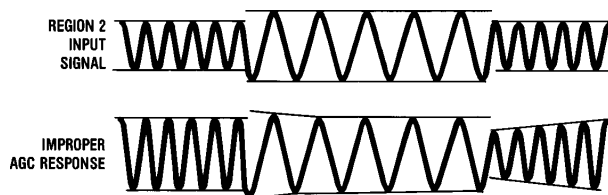


FIGURE 16. Improper AGC Response to Region 2 Signal

TL/F/5283-22

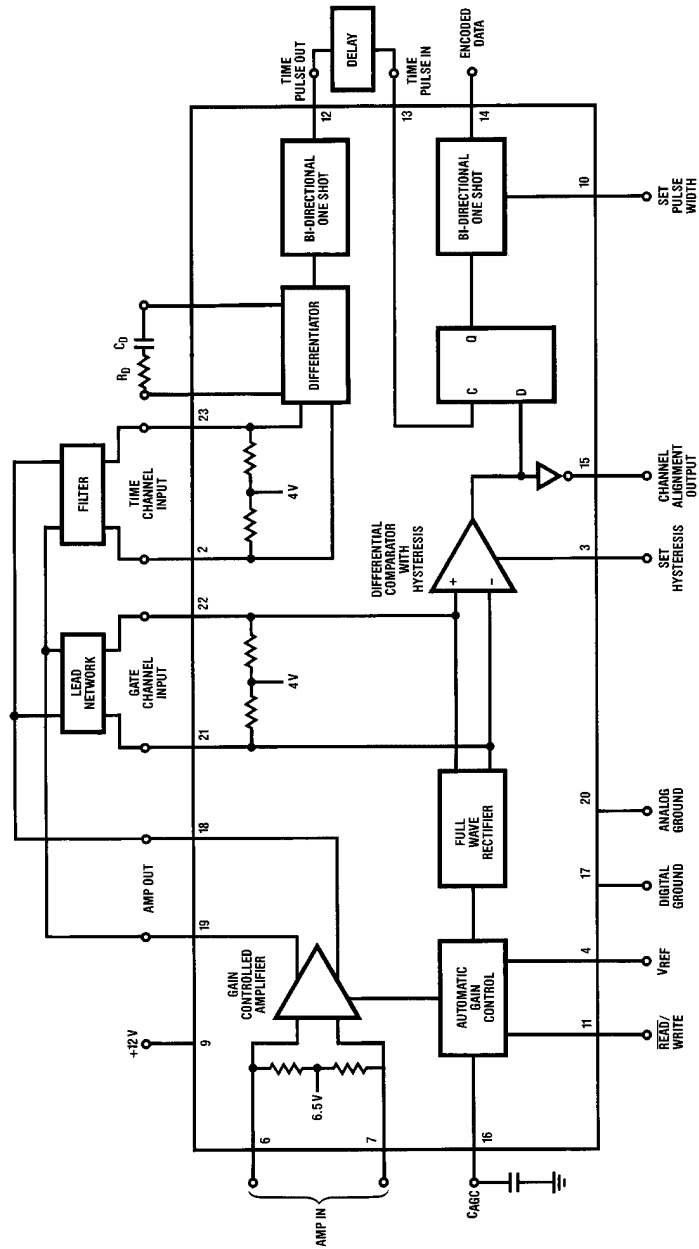
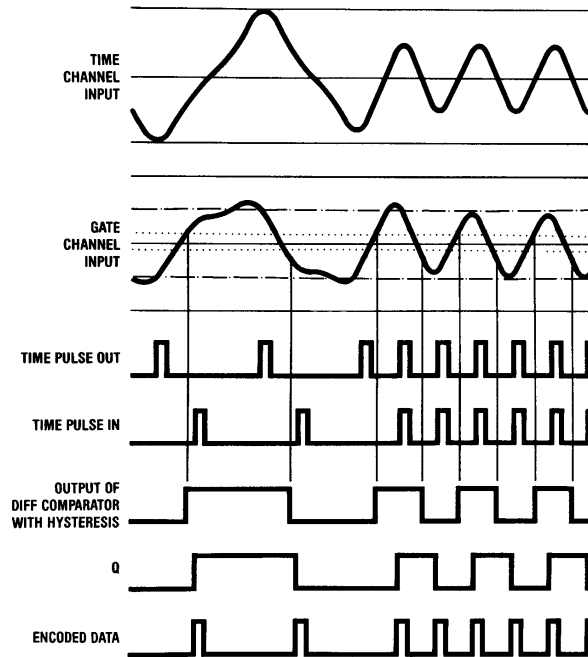


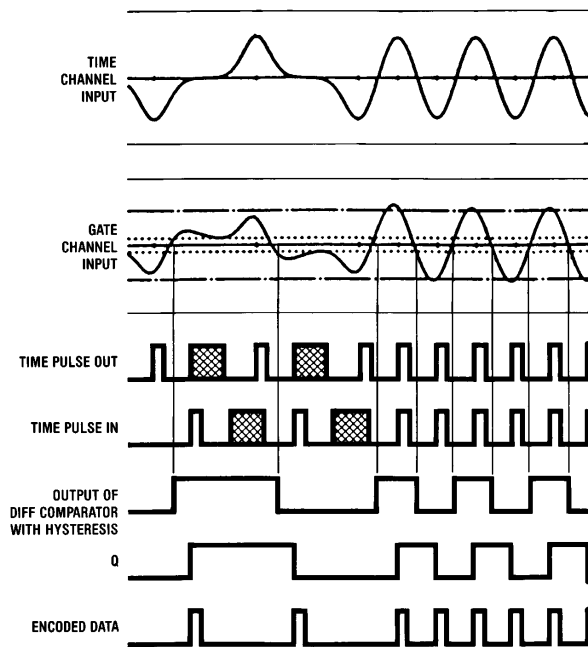
FIGURE 17. Circuit Connection for Region 2 Operation

Application Information (Continued)



TL/F/5283-24

FIGURE 18. Region 2 Inner Track Operation



TL/F/5283-25

FIGURE 19. Region 2 Outer Track Operation

Application Information (Continued)

Another troublesome input pattern which should be investigated is a high frequency triplet surrounded by the lowest frequency as shown in *Figure 20*. Since the center bit of the triplet does not rise very much above the baseline, there is the possibility it will not trip the hysteresis level. This pattern should be checked to ensure the gating channel filter raises this center bit enough for the proper operation of the gating channel. The operation of the triplet in the previous example is shown in *Figure 21*.

LAYOUT CONSIDERATIONS

Figure 22 is a top view of the component layout for the DP8464B application board whose schematic is shown in *Figure 23*. Care must be exercised in the board layout in order to isolate all digital signals from analog signals. The layout shown in *Figure 22* is a good example of what is

required in this regard. In particular the Amp. In pins (pins 6 and 7) and the C_{DIFF} pins (pins 1 and 24) must be isolated from all digital signals. An analog ground plane will greatly aid in this isolation as will separate digital and analog grounds. The V_{CC} (pin 9) should have a $0.1 \mu\text{f}$ bypass capacitor to analog ground located close to the DP8464B. The component list is provided as an example. These components will need to be optimized for a specific read channel.

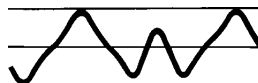


FIGURE 20. (2,7) Triplet

TL/F/5283-26

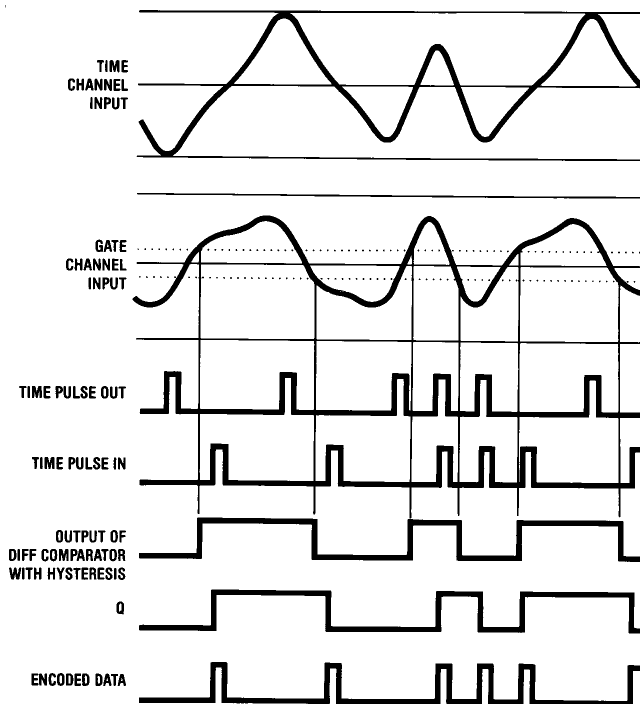


FIGURE 21. Region 2 Triplet Operation

TL/F/5283-27

Application Information (Continued)

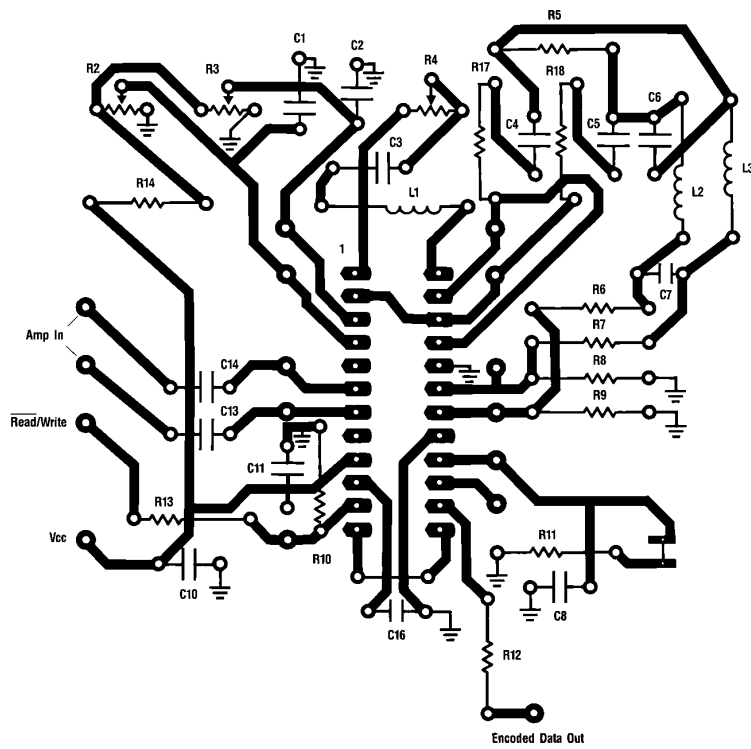


FIGURE 22. DP8464B Component Layout—Top View

TL/F/5283-28

Application Information (Continued)

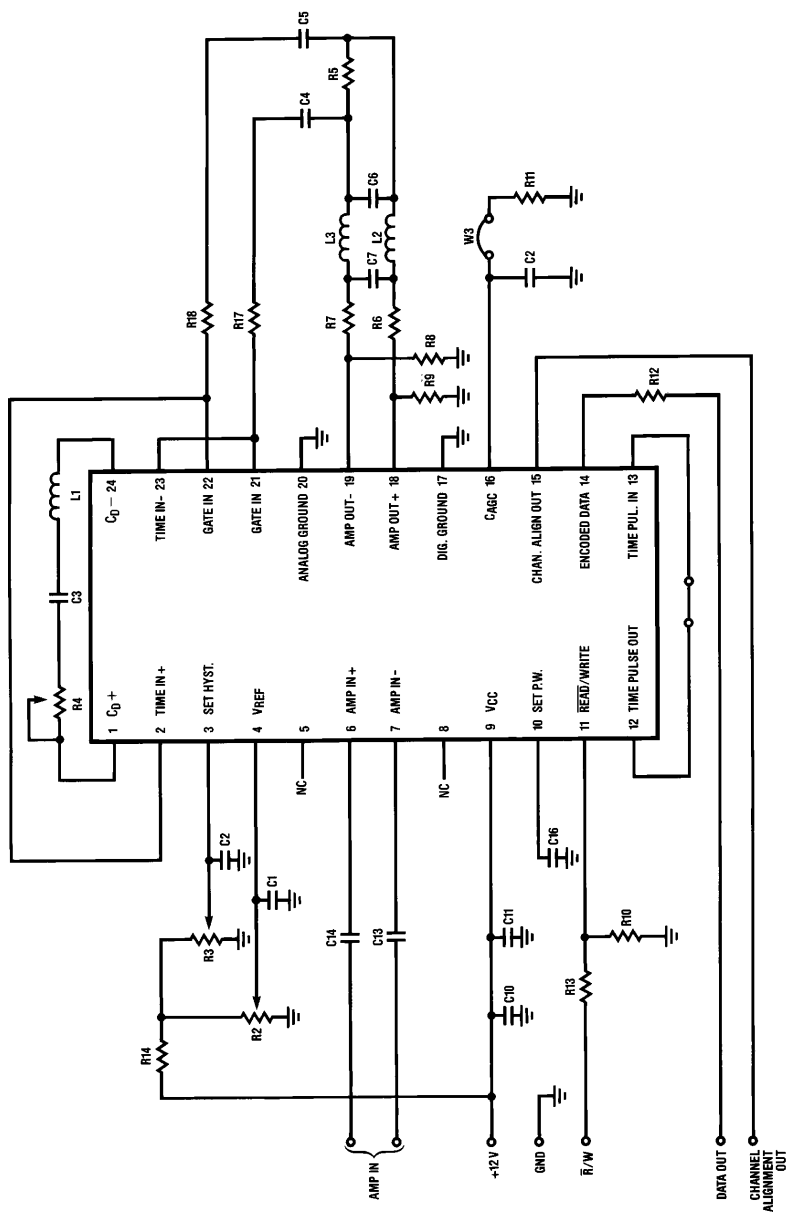


FIGURE 23. DP8464B Application Board Schematic

TL/F/6283-29

Application Information (Continued)

PARTS LIST FOR DP8464B BOARD

Component Name	Note #	Function	Value	Value for 5 Mbits/sec	Value for 10 Mbits/sec
R2	3	Adjustment for V_{REF} (AGC amplitude)	1k pot		
R3	3	Adjustment for Set Hyst. (threshold)	1k pot		
R4	2	Adjustment for differentiator network Q	5k pot		
R5	1	Low pass filter resistor	560 Ω		
R6	1	Low pass filter resistor	240 Ω		
R7	1	Low pass filter resistor	240 Ω		
R8		Amp Out emitter bias resistor	4.3k		
R9		Amp Out emitter bias resistor	4.3k		
R10		Pull down resistor for Read/Write Pin	5.1k		
R11		Resistor in parallel with C_{AGC}	100k		
R12		Encoded Data Out damping resistor	51 Ω		
R13		Read/Write damping resistor	51 Ω		
R14		Divider network for Set Hyst. and V_{REF}	2.4k		
R17	6	Series resistor for Time Channel Input	Not required on DP8464B		
R18	6	Series resistor for Time Channel Input	Not required on DP8464B		
C1		V_{REF} cap	0.1 μ F		
C2		Set Hyst. cap	0.1 μ F		
C3	2	Differentiator cap		100 pF	50 pF
C4		Time and Gate Channel In coupling cap	0.01 μ F		
C5		Time and Gate Channel In coupling cap	0.01 μ F		
C6	1	Low pass filter cap		200 pF	100 pF
C7	1	Low pass filter cap		30 pF	15 pF
C8	4	C_{AGC} cap	0.01 μ F		
C10		V_{CC} cap	1.0 μ F		
C11		V_{CC} cap	0.1 μ F		
C13	5	Amp In coupling cap	2200 pF		
C14	5	Amp In coupling cap	2200 pF		
C16		Set Pulse Width cap		100 pF	50 pF
L1	2	Differentiator inductor		3.6 μ H	1.6 μ H
L2	1	Low pass filter inductor		10 μ H	4.7 μ H
L3	1	Low pass filter inductor		10 μ H	4.7 μ H

BREADBOARD OPERATION NOTES

- The low pass filter is a 3 pole Bessel with the corner frequency at 3.75 MHz for the 5Mbits/sec board (7.5 MHz for the 10 Mbits/sec board).
- The differentiator is a simple RLC filter with the break frequency at 8.5 MHz for the 5 Mbits/sec board (17 MHz for the 10 Mbits/sec board). The resistor can be adjusted to correct for phase distortion in the channel.
- The V_{REF} should be set at 0.5V. Since the low pass filter has a 6 dB loss, the signal on AMP OUT is 4 Vpp differential while the amplitude into the gate channel is 2 Vpp differential. The Set Hyst. should be nominally set at 0.3V.
- The AGC attack time (the response to an increased input amplitude) is about 2 μ s. To increase this time, increase the value of C8 (the AGC capacitor). The AGC decay time (the response to a decrease in amplitude) is about 10 ms. To increase this time, increase the value of R11. Care must be taken to not allow the response of the AGC loop to become too fast, otherwise loop instability may occur.

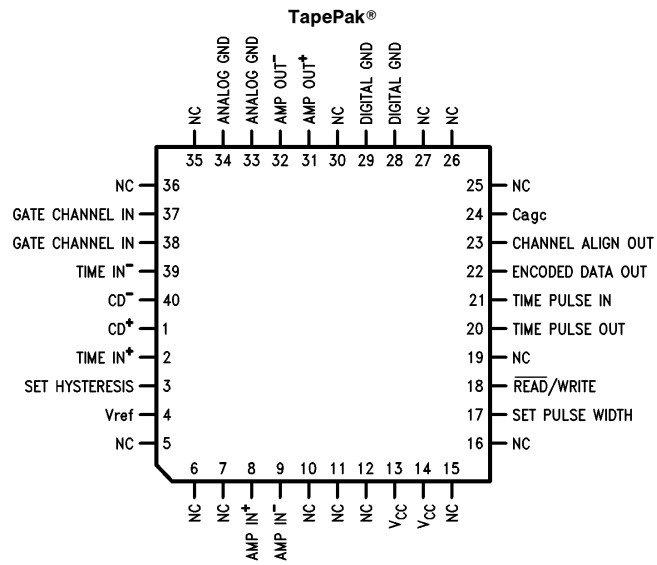
5. The input pole is set at 72 kHz (1k input impedance and a 2200 pF input coupling capacitor).

6. Pulse pairing (described in the differentiator section of this data sheet) can be caused by unequal delays through the Bi-directional one shots. To minimize this effect, pin 2 should be connected to pin 22, and pin 23 should be connected to pin 21. If connected this way, the delays tend to cancel.

REFERENCES

- I. H. Graham, "Data Detection Methods vs. Head Resolution in Digital Recording," IEEE Transactions on Magnetics Vol. MAG-14, No. 4 (July 1978)
- I. H. Graham, "Digital Magnetic Recording Circuits," to be published.
- Anatol I., Zverev, Handbook of Filter Synthesis, John Wiley & Sons publisher, 1967.

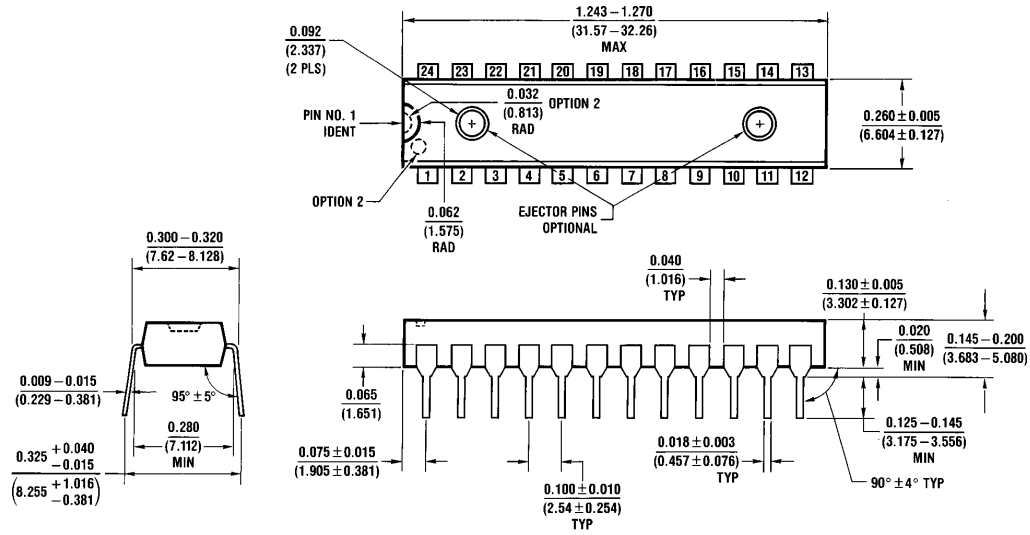
Connection Diagrams (Continued)



Top View
Order Number DP8464BTP-3 or DP8464BTP-2
See NS Package Number TP40A

TL/F/5283-31

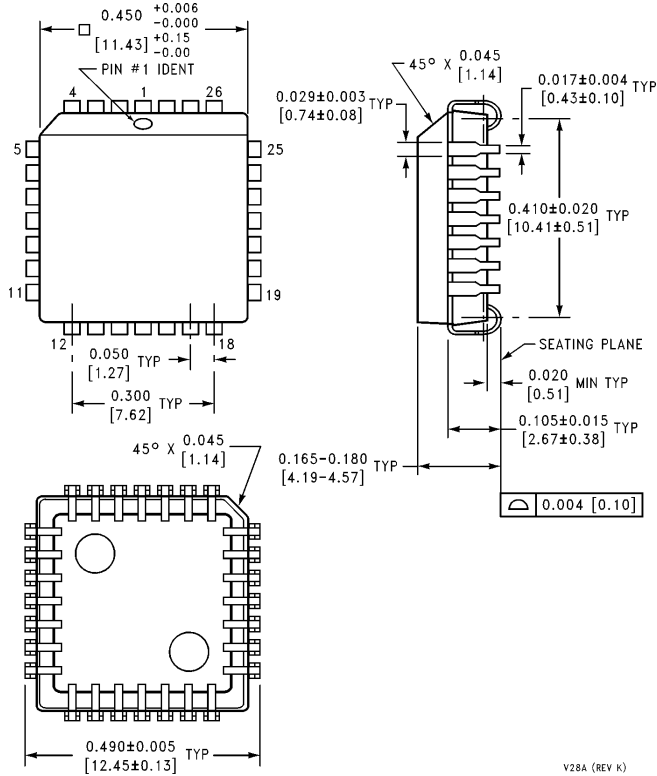
Physical Dimensions inches (millimeters)



Molded Dual-In-Line Package (N)
Order Number DP8464BN
NS Package Number N24C

N24C (REV F)

Physical Dimensions inches (millimeters) (Continued)



**Plastic Chip Carrier (V)
Order Number DP8464BV
NS Package Number V28A**

V28A (REV K)

LIFE SUPPORT POLICY

NATIONAL'S PRODUCTS ARE NOT AUTHORIZED FOR USE AS CRITICAL COMPONENTS IN LIFE SUPPORT DEVICES OR SYSTEMS WITHOUT THE EXPRESS WRITTEN APPROVAL OF THE PRESIDENT OF NATIONAL SEMICONDUCTOR CORPORATION. As used herein:

1. Life support devices or systems are devices or systems which, (a) are intended for surgical implant into the body, or (b) support or sustain life, and whose failure to perform, when properly used in accordance with instructions for use provided in the labeling, can be reasonably expected to result in a significant injury to the user.
2. A critical component is any component of a life support device or system whose failure to perform can be reasonably expected to cause the failure of the life support device or system, or to affect its safety or effectiveness.



National Semiconductor Corporation
1111 West Bardin Road
Arlington, TX 76017
Tel: 1(800) 272-9959
Fax: 1(800) 737-7018

National Semiconductor Europe
Fax: (+49) 0-180-530 85 86
Email: cnjwge@tevm2.nsc.com
Deutsch Tel: (+49) 0-180-530 85 85
English Tel: (+49) 0-180-532 78 32
Français Tel: (+49) 0-180-532 93 58
Italiano Tel: (+49) 0-180-534 16 80

National Semiconductor Hong Kong Ltd.
13th Floor, Straight Block,
Ocean Centre, 5 Canton Rd.
Tsimshatsui, Kowloon
Hong Kong
Tel: (852) 2737-1600
Fax: (852) 2736-9960

National Semiconductor Japan Ltd.
Tel: 81-043-299-2309
Fax: 81-043-299-2408