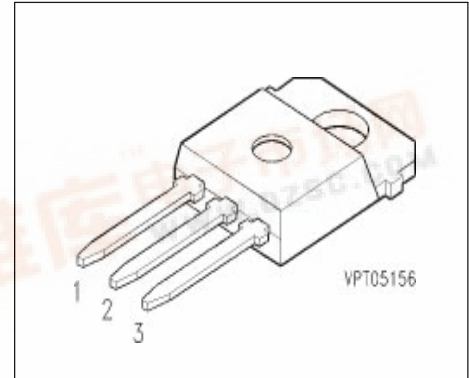


IGBT

Preliminary data

- High switching speed
- Low tail current
- Latch-up free
- Avalanche rated
- Low forward voltage drop

Remark: The TO-218 AB case doesn't solve the standards VDE 0110 and UL 508 for creeping distance

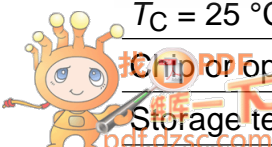


| Pin 1 | Pin 2 | Pin 3 |
|-------|-------|-------|
| G | C | E |

| Type | V _{CE} | I _C | Package | Ordering Code |
|---------|-----------------|----------------|-----------|-----------------|
| BUP 309 | 1700V | 25A | TO-218 AB | Q67078-A4204-A2 |

Maximum Ratings

| Parameter | Symbol | Values | Unit |
|---|--------------------|---------------|------|
| Collector-emitter voltage | V _{CE} | 1700 | V |
| Collector-gate voltage | V _{CGR} | 1700 | |
| R _{GE} = 20 kΩ | | ± 20 | |
| Gate-emitter voltage | V _{GE} | ± 20 | |
| DC collector current | I _C | | A |
| T _C = 25 °C | | 25 | |
| T _C = 90 °C | | 16 | |
| Pulsed collector current, t _p = 1 ms | I _{Cpuls} | | |
| T _C = 25 °C | | 50 | |
| T _C = 90 °C | | 32 | |
| Avalanche energy, single pulse | E _{AS} | | mJ |
| I _C = 15 A, V _{CC} = 50 V, R _{GE} = 25 Ω | | 23 | |
| L = 200 μH, T _j = 25 °C | | | |
| Power dissipation | P _{tot} | | W |
| T _C = 25 °C | | 310 | |
| Chip or operating temperature | T _j | -55 ... + 150 | °C |
| Storage temperature | T _{stg} | -55 ... + 150 | |



Maximum Ratings

| Parameter | Symbol | Values | Unit |
|-------------------------------------|--------|---------------|------|
| DIN humidity category, DIN 40 040 | - | E | - |
| IEC climatic category, DIN IEC 68-1 | - | 55 / 150 / 56 | |

Thermal Resistance

| | | | |
|-------------------------------|------------|------------|-----|
| Thermal resistance, chip case | R_{thJC} | ≤ 0.4 | K/W |
|-------------------------------|------------|------------|-----|

Electrical Characteristics, at $T_j = 25\text{ °C}$, unless otherwise specified

| Parameter | Symbol | Values | | | Unit |
|-----------|--------|--------|------|------|------|
| | | min. | typ. | max. | |

Static Characteristics

| | | | | | |
|---|---------------|-----|-----|------|---------------|
| Gate threshold voltage $V_{GE} = V_{CE}, I_C = 1\text{ mA}$ | $V_{GE(th)}$ | 4.5 | 5.5 | 6.5 | V |
| Collector-emitter saturation voltage $V_{GE} = 15\text{ V}, I_C = 15\text{ A}, T_j = 25\text{ °C}$ $V_{GE} = 15\text{ V}, I_C = 15\text{ A}, T_j = 125\text{ °C}$ $V_{GE} = 15\text{ V}, I_C = 15\text{ A}, T_j = 150\text{ °C}$ | $V_{CE(sat)}$ | - | 3.5 | 4.2 | |
| | | - | - | - | |
| | | - | 4.5 | - | |
| Zero gate voltage collector current $V_{CE} = 1700\text{ V}, V_{GE} = 0\text{ V}, T_j = 25\text{ °C}$ $V_{CE} = 1700\text{ V}, V_{GE} = 0\text{ V}, T_j = 125\text{ °C}$ | I_{CES} | - | 1 | 250 | μA |
| | | - | - | 1000 | |
| Gate-emitter leakage current $V_{GE} = 20\text{ V}, V_{CE} = 0\text{ V}$ | I_{GES} | - | - | 100 | nA |

AC Characteristics

| | | | | | |
|---|-----------|---|------|------|----|
| Transconductance $V_{CE} = 20\text{ V}, I_C = 15\text{ A}$ | g_{fs} | - | - | - | S |
| Input capacitance $V_{CE} = 25\text{ V}, V_{GE} = 0\text{ V}, f = 1\text{ MHz}$ | C_{iss} | - | 2000 | 2700 | pF |
| Output capacitance $V_{CE} = 25\text{ V}, V_{GE} = 0\text{ V}, f = 1\text{ MHz}$ | C_{oss} | - | 160 | 240 | |
| Reverse transfer capacitance $V_{CE} = 25\text{ V}, V_{GE} = 0\text{ V}, f = 1\text{ MHz}$ | C_{rss} | - | 65 | 100 | |

Electrical Characteristics, at $T_j = 25\text{ °C}$, unless otherwise specified

| Parameter | Symbol | Values | | | Unit |
|-----------|--------|--------|------|------|------|
| | | min. | typ. | max. | |

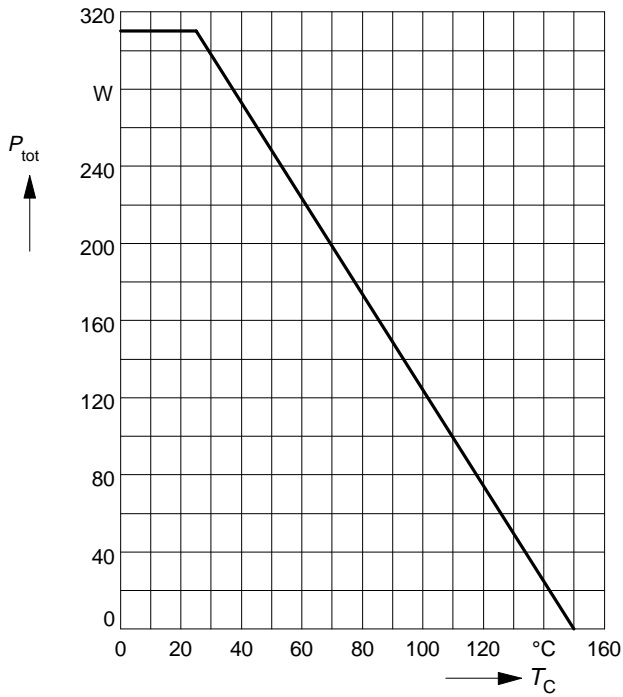
Switching Characteristics, Inductive Load at $T_j = 125\text{ °C}$

| | | | | | |
|--|--------------|---|-----|-----|----|
| Turn-on delay time $V_{CC} = 1200\text{ V}$, $V_{GE} = 15\text{ V}$, $I_C = 15\text{ A}$ $R_{Gon} = 33\text{ }\Omega$ | $t_{d(on)}$ | - | - | - | ns |
| Rise time $V_{CC} = 1200\text{ V}$, $V_{GE} = 15\text{ V}$, $I_C = 15\text{ A}$ $R_{Gon} = 33\text{ }\Omega$ | t_r | - | - | - | |
| Turn-off delay time $V_{CC} = 1200\text{ V}$, $V_{GE} = -15\text{ V}$, $I_C = 15\text{ A}$ $R_{Goff} = 33\text{ }\Omega$ | $t_{d(off)}$ | - | 150 | 230 | |
| Fall time $V_{CC} = 1200\text{ V}$, $V_{GE} = -15\text{ V}$, $I_C = 15\text{ A}$ $R_{Goff} = 33\text{ }\Omega$ | t_f | - | 50 | 80 | |

Power dissipation

$$P_{\text{tot}} = f(T_C)$$

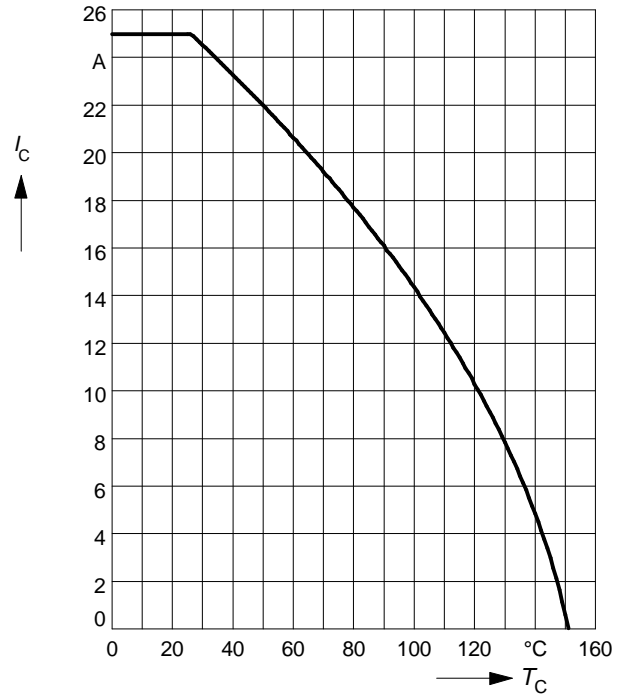
parameter: $T_j \leq 150^\circ\text{C}$



Collector current

$$I_C = f(T_C)$$

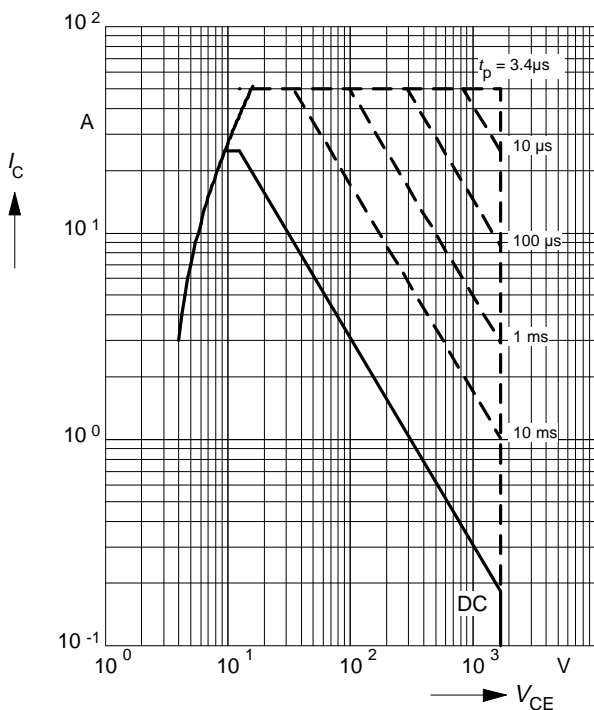
parameter: $V_{\text{GE}} \geq 15\text{ V}$, $T_j \leq 150^\circ\text{C}$



Safe operating area

$$I_C = f(V_{\text{CE}})$$

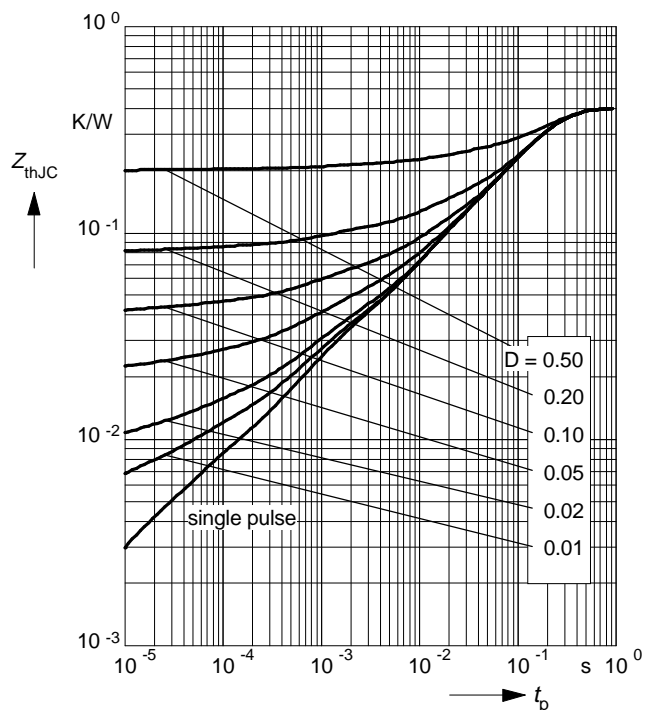
parameter: $D = 0$, $T_C = 25^\circ\text{C}$, $T_j \leq 150^\circ\text{C}$



Transient thermal impedance IGBT

$$Z_{\text{thJC}} = f(t_p)$$

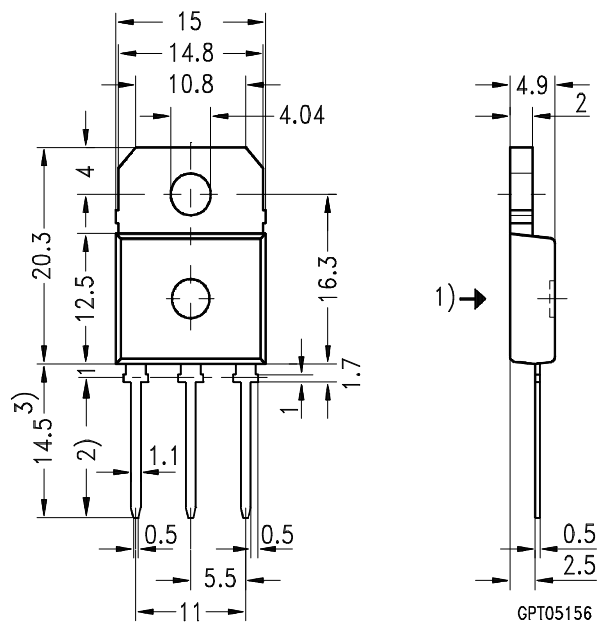
parameter: $D = t_p / T$



Package Outlines

Dimensions in mm

Weight: 8 g



- 1) punch direction, burr max. 0.04
- 2) dip tinning
- 3) max. 15.5 by dip tinning press burr max. 0.05