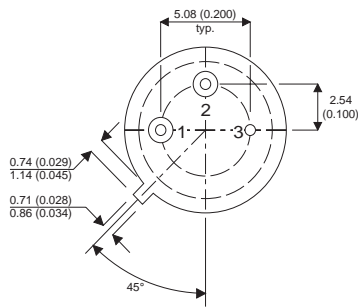
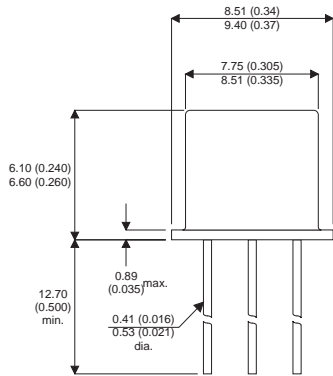


MECHANICAL DATA

Dimensions in mm(inches)

NPN SILICON TRANSISTOR



TO39 (TO-205AD)

Pin 1 = Emitter Pin 2 = Base Pin 3 = Collector

FEATURES

- FAST SWITCHING
- HIGH PULSE POWER

APPLICATIONS

- POWER SWITCHING CIRCUITS
- MOTOR CONTROL

ABSOLUTE MAXIMUM RATINGS ($T_{case} = 25^{\circ}C$ unless otherwise stated)

V_{CBO}	Collector – Base Voltage	450V
V_{CEX}	Collector – Emitter Voltage ($V_{BE} = -1.5V$)	450V
V_{CEO}	Collector – Emitter Voltage	400V
V_{EBO}	Emitter – Base Voltage	7V
I_C	Collector Current	2A
I_{CM}	Peak Collector Current ($t_p = 10$ ms)	5A
I_B	Base Current	0.375A
P_{tot}	Total Power Dissipation at $T_{case} \leq 25^{\circ}C$	10W
T_j, T_{stg}	Maximum Junction And Storage Temperature Range	-65°C to +200°C

Semelab Plc reserves the right to change test conditions, parameter limits and package dimensions without notice. Information furnished by Semelab is believed to be both accurate and reliable at the time of going to press. However Semelab assumes no responsibility for any errors or omissions discovered in its use. Semelab encourages customers to verify that datasheets are current before placing orders.

ELECTRICAL CHARACTERISTICS ($T_{\text{case}} = 25^{\circ}\text{C}$ unless otherwise stated)

Parameter	Test Conditions	Min.	Typ.	Max.	Unit
$V_{\text{CEO(sus)}}$ Collector - Emitter Sustaining Voltage	$I_{\text{C}} = 200\text{mA}$ $L = 25\text{mH}$ $I_{\text{B}} = 0\text{A}$	400			V
I_{CEX} Collector Emitter Cut-off Current	$V_{\text{CE}} = 450\text{V}$ $V_{\text{BE}} = -1.5\text{V}$ $T_{\text{C}} = 125^{\circ}\text{C}$			0.1 0.5	mA
$V_{\text{CE(sat)}}$ Collector - Emitter Saturation Voltage	$I_{\text{C}} = 0.6\text{A}$ $I_{\text{B}} = 0.06\text{A}$			0.5	V
	$I_{\text{C}} = 1.2\text{A}$ $I_{\text{B}} = 0.15\text{A}$			1.3	
$V_{\text{BE(sat)}}$ Base - Emitter Saturation Voltage	$I_{\text{C}} = 1.2\text{A}$ $I_{\text{B}} = 0.15\text{A}$			1.5	V
f_{t} Transition Frequency	$V_{\text{CE}} = 10\text{V}$ $I_{\text{C}} = 0.2\text{A}$ $f = 5\text{MHz}$	8			MHz
$t_{\text{d}} + t_{\text{r}}$ Turn-On Time	$I_{\text{C}} = 1.2\text{A}$ $I_{\text{B}} = 0.15\text{A}$			0.25	μs
t_{f} Fall Time	$I_{\text{C}} = 1.2\text{A}$ $I_{\text{B}2} = 0.15\text{A}$ $I_{\text{B}1} = 0.15\text{A}$			1.2	
t_{s} Carrier Storage Time	$I_{\text{C}} = 1.2\text{A}$ $I_{\text{B}2} = 0.15\text{A}$ $I_{\text{B}1} = 0.15\text{A}$			3.5	

*Pulsed $t_{\text{p}} = 300\mu\text{s}$ @ < 1%

THERMAL CHARACTERISTICS

$R_{\theta\text{JC}}$ Junction to Case Thermal Resistance			17.5	$^{\circ}\text{C/W}$
---	--	--	------	----------------------

Semelab Plc reserves the right to change test conditions, parameter limits and package dimensions without notice. Information furnished by Semelab is believed to be both accurate and reliable at the time of going to press. However Semelab assumes no responsibility for any errors or omissions discovered in its use. Semelab encourages customers to verify that datasheets are current before placing orders.