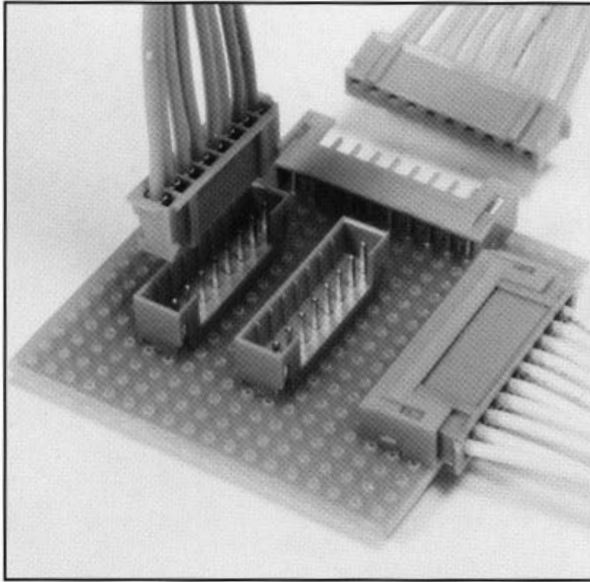


IL-S SERIES CONNECTORS

2.0mm (.079") Contact Spacing, PCB-to-Cable (Crimp Type) Connectors



IL-S Series connectors are low profile connectors with 2.0mm (.079") contact spacing for PCB-to-Cable applications.

High reliable crimp termination socket contacts permit fast and simple semi-automatic termination, resulting in labor and cost savings.

IL-S Series connectors are ideal for use in VTR, television, audio and other consumer electronic products. Additional applications include OA equipment, computers, measuring equipment, telecommunications, and vending machines.

FEATURES

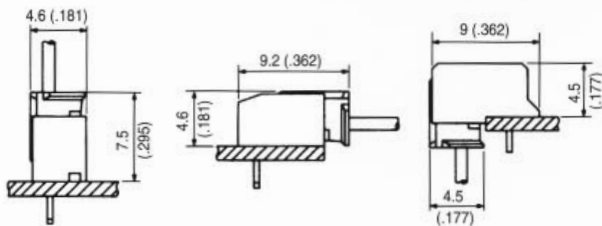
- Box type pin header prevents mismatching
- Highly reliable socket contacts
- Both semi-automatic crimp termination machine and hand crimping tool are available
- Design prevents flux wicking
- Pin headers are available in straight, right angle and bottom through hole types

GENERAL SPECIFICATIONS

Number of Contacts	2 to 15 (Bottom type – 2 to 12)
Contact Spacing	2.0mm (.079"), single row
Current Rating	3 Amps
Operating Voltage	300 VAC, 400 VDC
Dielectric Withstanding Voltage	1,000 VAC r.m.s. (one minute)
Insulation Resistance	100 megohms min.
Contact Resistance	20 milliohms max.
Applicable Wire	#24 to #28 AWG, stranded
Applicable PCB Thickness	1.2 to 1.6mm (.047" to .063")
Operating Temperature	-40°C to +85°C

MATERIALS AND FINISHES

Description	Materials/Finishes
Insulator	6-6 Nylon (UL94V-0, Light Brown)
Pin Contact	Brass/Tin plating over Nickel
Socket Contact	Phosphor Bronze/Tin Plated



Dimensions and specifications subject to change without notice.



Hong Kong
Tel: 2723-7782
Fax: 2723-9028

Japan
03-3780-2715
03-3780-2883

Korea
2-551-8959
2-551-8958

Philippines
46-433-0276
46-433-0287

Singapore
748-1332
748-2920

Taiwan
02-555-9711
02-556-5424

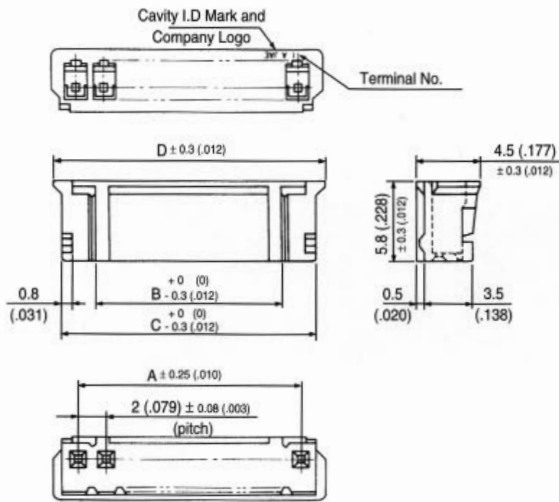
Europe
1276-21717
1276-66165

United States
949-753-2600
949-753-2699

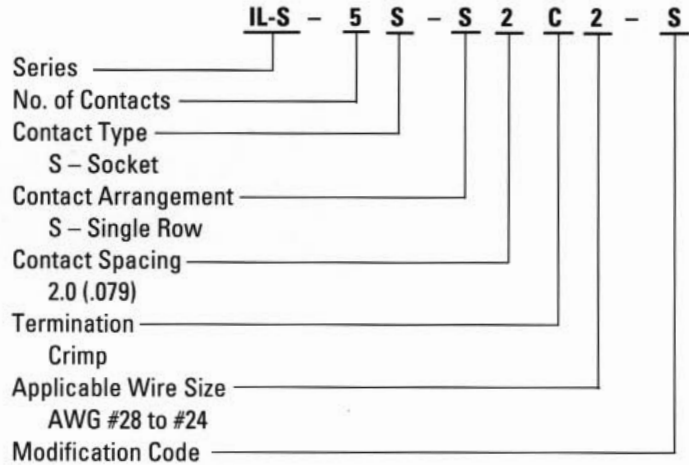
IL-S SERIES CONNECTORS

2.0mm (.079") Contact Spacing, PCB-to-Cable (Crimp Type) Connectors

SOCKET HOUSING: IL-S-*S-S2C2-S



ORDERING INFORMATION

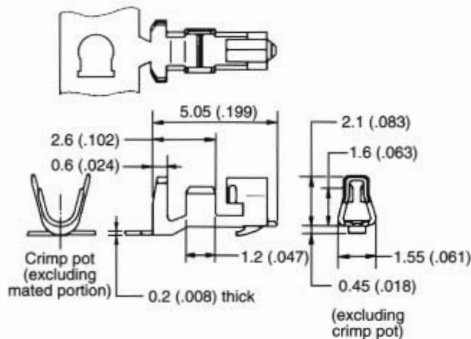


No. of Contacts	Part Number	A ± 0.25 ($\pm .010$)	B 0 (0) -0.3 (-.012)	C 0 (0) -0.3 (-.012)	D ± 0.3 ($\pm .012$)
2	IL-S- 2S-S2C2-S	2 (.079)	0.7 (.028)	4.5 (.177)	5.6 (.220)
3	IL-S- 3S-S2C2-S	4 (.157)	1.5 (.059)	6.5 (.256)	7.6 (.230)
4	IL-S- 4S-S2C2-S	6 (.236)	3.5 (.138)	8.5 (.335)	9.6 (.378)
5	IL-S- 5S-S2C2-S	8 (.315)	5.5 (.217)	10.5 (.413)	11.6 (.457)
6	IL-S- 6S-S2C2-S	10 (.394)	7.5 (.295)	12.5 (.492)	13.6 (.535)
7	IL-S- 7S-S2C2-S	12 (.472)	9.5 (.374)	14.5 (.570)	15.6 (.614)
8	IL-S- 8S-S2C2-S	14 (.551)	11.5 (.453)	16.5 (.650)	17.6 (.693)
9	IL-S- 9S-S2C2-S	16 (.630)	13.5 (.531)	18.5 (.728)	19.6 (.772)
10	IL-S- 10S-S2C2-S	18 (.709)	15.5 (.610)	20.5 (.807)	21.6 (.850)
11	IL-S- 11S-S2C2-S	20 (.787)	17.5 (.689)	22.5 (.886)	23.6 (.929)
12	IL-S- 12S-S2C2-S	22 (.866)	19.5 (.768)	24.5 (.965)	25.6 (1.008)
13	IL-S- 13S-S2C2-S	24 (.945)	21.5 (.846)	26.5 (1.043)	27.6 (1.087)
14	IL-S- 14S-S2C2-S	26 (1.024)	23.5 (.925)	28.5 (1.122)	29.6 (1.165)
15	IL-S- 15S-S2C2-S	28 (1.102)	25.5 (1.004)	30.5 (1.201)	31.6 (1.244)

SOCKET CONTACT (CRIMP TYPE)

Part Number: IL-S-C2-S-10000

10000 contacts/reel



Applicable Wire (Stranded)		Hand Crimping Tool
AWG No.	Wire Insulation Outer Dia.	
#28 to #26	$\phi 1.0$ to $\phi 1.3$ mm (.039 to .051")	CT150-2-ILS CT150-4-ILS
#26 to #24	$\phi 1.2$ to $\phi 1.6$ mm (.047 to .063")	
#28 to #26	$\phi 0.7$ to $\phi 1.0$ mm (.028 to .039")	CT150-2-ILSmk2
#26 to #24	$\phi 0.9$ to $\phi 1.2$ mm (.035 to .047")	

Semi-Automatic Crimping Machine: CT350-2-ILS

Contact Extraction Tool: ET-ILS-N03

Dimensions in mm (inches).



Hong Kong
Tel: 2723-7782
Fax: 2723-9028

Japan
03-3780-2715
03-3780-2883

Korea
2-551-8959
2-551-8958

Philippines
46-433-0276
46-433-0287

Singapore
748-1332
748-2920

Taiwan
02-555-9711
02-556-5424

Europe
1276-21717
1276-66165

United States
949-753-2600
949-753-2699