

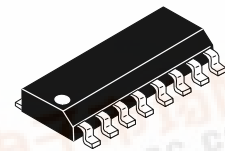
The MRFIC Line 2.4 GHz GaAs Power Amplifier

The MRFIC2403 is a two-stage class B GaAs power amplifier in a low-cost 16 lead plastic package designed for use in the 2.4 to 2.5 GHz Industrial-Scientific-Medical (ISM) band. The design is optimized for efficiency at 5.0 Volt operation at 2.5 GHz but is usable from 2.0 to 3.0 GHz in applications such as telemetry and Multichannel Multipoint Distribution System (MMDS) wireless cable TV systems. Performance is suitable for frequency hopping or direct sequence spread spectrum as well as single-frequency applications. Power control circuitry allows 20 dB dynamic range for setting the output power.

- High Output Power = +23.5 dBm Typical
- High Gain = 23 dB Typical
- Excellent Efficiency = 55% Typical
- Power Control = 20 dB Range
- Low-Cost, Low Profile Plastic SOIC Package
- Available in Tape and Reel by Adding R2 Suffix to Part Number.
R2 Suffix = 2,500 Units per 16 mm, 13 inch Reel.
- Device Marking = M2403

MRFIC2403

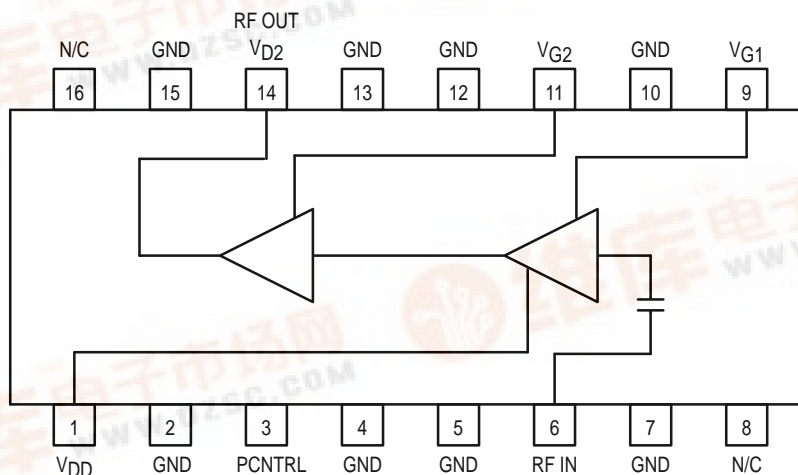
2.4 GHz
POWER AMPLIFIER
GaAs MONOLITHIC
INTEGRATED CIRCUIT



CASE 751B-05
(SO-16)

ABSOLUTE MAXIMUM RATINGS (T_A = 25°C unless otherwise noted)

Parameter	Symbol	Value	Unit
Supply Voltage	V _{DD}	6.0	Vdc
Power Control Voltage	V _{CONTRL}	6.0	Vdc
Gate Bias Voltage	V _{G1} , V _{G2}	-4.0	Vdc
RF Input Power	RF IN	+10	dBm
Ambient Operating Temperature	T _A	-30 to +85	°C
Storage Temperature	T _{stg}	-65 to +125	°C



Pin Connections and Functional Block Diagram

RECOMMENDED OPERATING CONDITIONS

Parameter	Symbol	Value	Unit
Supply Voltage	V_{DD}	4.75 to 5.25	Vdc
Gate Bias Voltage, Input Stage	V_{G1}	-1.0	Vdc
Gate Bias Voltage, Output Stage	V_{G2}	-2.0	Vdc
Quiescent Drain Current, Stage One	I_{DQ1}	12	mA
Quiescent Drain Current, Stage Two	I_{DQ2}	10	mA
Operating Frequency Range	f_{OP}	2200 to 2700	MHz

ELECTRICAL CHARACTERISTICS ($V_{DD} = 5.0$ Vdc, $T_A = 25^\circ\text{C}$, $R_F = 2.45$ GHz @ +4.0 dBm, $V_{G1} = -1.0$ Vdc, $V_{G2} = -2.0$ Vdc, PCNTRL = 5.0 Vdc)

Characteristic	Min	Typ	Max	Unit
Small Signal Gain ($P_{in} = -6.0$ dBm)	-	23	-	dB
Power Output ($P_{in} = +4.0$ dBm)	23	23.5	-	dBm
Power Output, Saturation	-	23.5	-	dBm
Power Output, 1.0 dB Compression	-	19	-	dBm
2nd Harmonic Output	-	-20	-	dBc
3rd Harmonic Output	-	-30	-	dBc
Third Order Intermodulation Products ($P_{in} = +4.0$ dBm PEP)	-	-15	-	dBc
Reverse Isolation	-	32	-	dB
Power Control Range, PCNTRL	-	20	-	dB
Reverse Isolation	-	30	-	dB
Supply Current	-	95	140	mA
SLEEP Mode Supply Current ($V_{G1} = V_{G2} = -3.0$ Vdc, PCNTRL = 0 Vdc)	-	150	-	μA

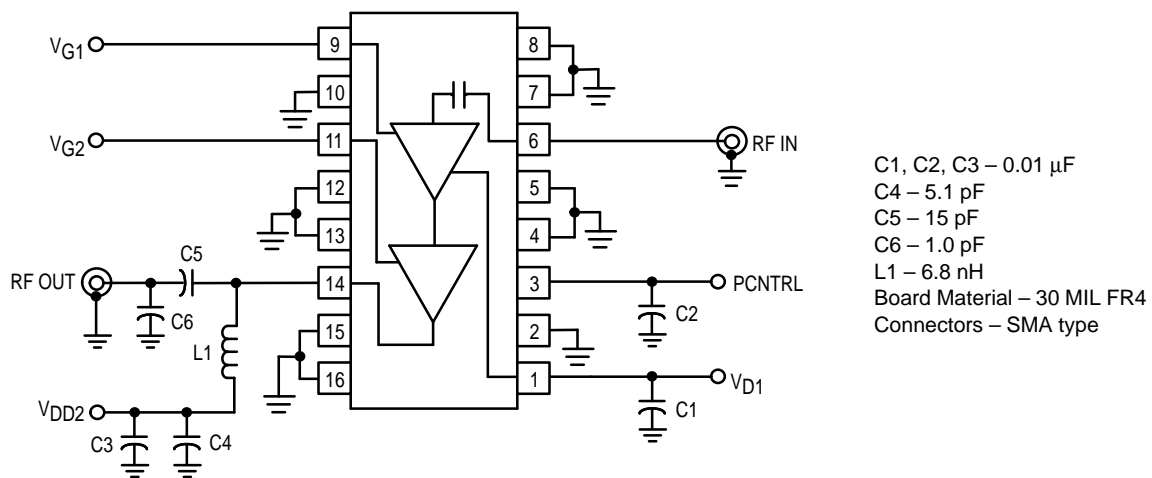


Figure 1. Applications Circuit Configuration

Table 1. Class A Scattering Parameters

(VDD = 5 V, IDQ1 = 24 mA, IDQ2 = 96 mA, TA = 25°C, 50 Ω System)

f (MHz)	S11		S21		S12		S22	
	S11	∠φ	S21	∠φ	S12	∠φ	S22	∠φ
2000	0.377	-157.00	27.625	57.40	0.004	-74.70	0.740	-102.10
2050	0.218	-171.70	28.938	36.80	0.006	-101.60	0.763	-115.30
2100	0.075	-178.80	29.088	17.20	0.007	-130.70	0.724	-126.80
2150	0.049	-96.10	27.904	-0.20	0.007	-163.20	0.663	-135.80
2200	0.104	-56.60	26.930	-14.90	0.008	-169.60	0.601	-141.80
2250	0.130	-60.60	24.246	-27.80	0.009	173.50	0.550	-146.30
2300	0.125	-65.40	24.286	-39.40	0.010	165.00	0.504	-149.10
2350	0.106	-67.60	22.287	-49.60	0.010	157.70	0.471	-151.60
2400	0.083	-56.10	21.867	-59.80	0.009	140.70	0.444	-153.80
2450	0.064	-27.00	21.837	-68.90	0.011	141.40	0.422	-155.90
2500	0.072	26.20	20.113	-78.00	0.012	139.80	0.401	-158.60
2550	0.110	44.60	19.828	-86.40	0.009	140.00	0.385	-161.20
2600	0.160	44.50	18.941	-94.30	0.007	124.50	0.364	-164.50
2650	0.194	40.60	18.001	-101.90	0.012	128.30	0.350	-167.70
2700	0.237	36.60	17.268	-109.20	0.011	102.30	0.335	-171.40
2750	0.269	31.30	16.379	-116.30	0.010	110.90	0.317	-174.50
2800	0.304	25.50	15.826	-123.40	0.009	105.80	0.311	-178.60
2850	0.325	19.80	15.125	-130.40	0.010	103.60	0.292	177.50
2900	0.345	14.50	14.611	-137.50	0.008	99.70	0.279	172.80
2950	0.356	9.40	14.048	-143.60	0.009	92.80	0.271	168.90
3000	0.370	2.40	13.663	-150.40	0.011	88.20	0.259	163.80

Table 2. Class B Scattering Parameters

(VDD = 5 V, IDQ1 = 12 mA, IDQ2 = 10 mA, TA = 25°C, 50 Ω System)

f (MHz)	S11		S21		S12		S22	
	S11	∠φ	S21	∠φ	S12	∠φ	S22	∠φ
2000	0.634	-149.00	12.40	88.00	0.007	-59.00	0.893	-81.00
2050	0.554	-170.00	14.76	72.00	0.013	-81.00	0.966	-89.00
2100	0.456	163.00	17.00	53.00	0.015	-95.00	0.990	-100.00
2150	0.362	129.00	18.09	32.00	0.017	-117.00	0.955	-110.00
2200	0.310	91.00	18.81	12.00	0.020	-138.00	0.870	-119.00
2250	0.298	58.00	17.37	-5.00	0.021	-156.00	0.771	-125.00
2300	0.298	30.00	17.22	-21.00	0.021	-169.00	0.681	-128.00
2350	0.289	11.00	15.89	-34.00	0.020	179.00	0.612	-130.00
2400	0.275	0.00	14.74	-45.00	0.020	168.00	0.562	-130.00
2450	0.248	-8.00	15.35	-56.00	0.021	155.00	0.528	-131.00
2500	0.216	-10.00	13.62	-66.00	0.019	147.00	0.498	-131.00
2550	0.199	-8.00	13.46	-75.00	0.021	143.00	0.473	-132.00
2600	0.187	-2.00	12.95	-83.00	0.020	134.00	0.447	-132.00
2650	0.185	4.00	12.32	-91.00	0.020	129.00	0.426	-134.00
2700	0.202	10.00	11.78	-99.00	0.021	123.00	0.405	-135.00
2750	0.218	13.00	11.25	-107.00	0.021	115.00	0.384	-136.00
2800	0.244	14.00	10.83	-114.00	0.018	106.00	0.373	-137.00
2850	0.268	13.00	10.34	-121.00	0.019	98.00	0.353	-139.00
2900	0.285	10.00	10.05	-129.00	0.019	99.00	0.332	-140.00
2950	0.301	7.00	9.61	-135.00	0.018	102.00	0.316	-143.00
3000	0.317	3.00	9.46	-142.00	0.018	90.00	0.302	-145.00

TYPICAL CHARACTERISTICS

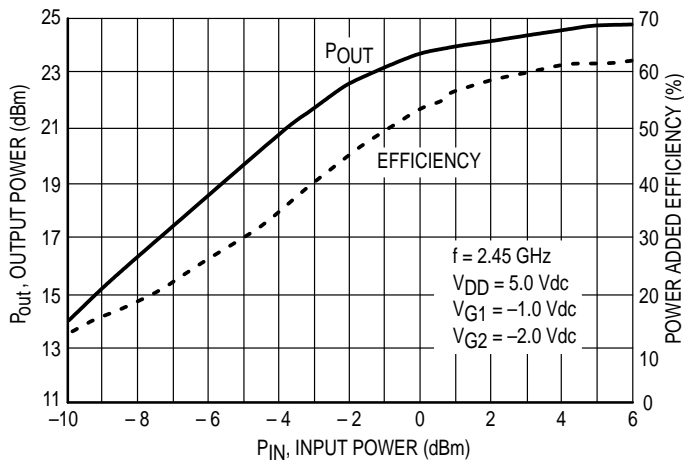


Figure 2. Output Power and Efficiency versus Input Power

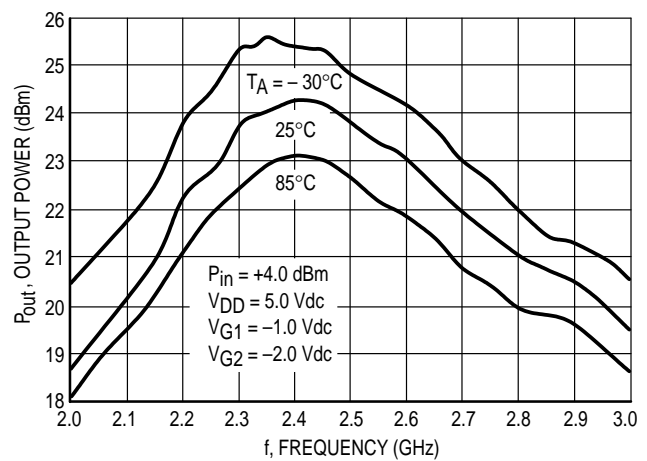


Figure 3. Output Power versus Frequency

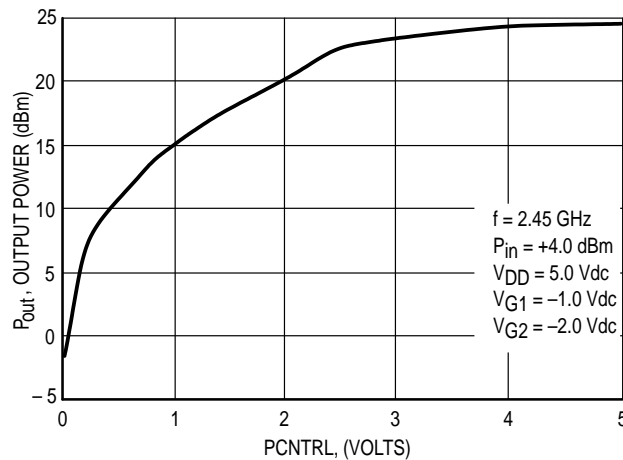


Figure 4. Output Power versus PCNTRL Voltage

DESIGN AND APPLICATIONS INFORMATION

The MRFIC2403 is a two-stage power amplifier designed using Motorola's MAFET planar, refractory gate MESFET IC process. The RF MESFETs are power, depletion mode devices and, therefore, require negative bias on the MESFET gates. For class B operation, -1.0 Vdc is applied to V_{G1} and -2.0 Vdc is applied to V_{G2} . Class A biasing will yield slightly higher gain and 1.0 dB compression point and can be accomplished by adjusting the bias on V_{G1} for $I_{DQ1} = 24$ mA and V_{G2} for $I_{DQ2} = 96$ mA. Where negative voltages are not already available, Motorola's MC33128 Power Management IC can produce -2.5 Vdc from a single positive supply.

The device is capable of better than $+23$ dBm saturated output power in the 2.4 to 2.5 GHz ISM band with the output matching circuit shown in Figure 1. The device can be operated at other frequencies in the 2.0 GHz to 3.0 GHz range with this circuit but performance can be improved with tuning for the specific frequency of use. Input matching is provided on chip. This circuit provides the best gain, saturated output power and efficiency tradeoff. Saturated operation has the advantage of best efficiency with less variation in performance over frequency and temperature. Operation in saturation is acceptable for constant envelope modulation schemes such as 2 and 4 level FM as specified for frequency hopping (FHSS) radios in the proposed IEEE 802.11 PHY layer specification. For direct sequence

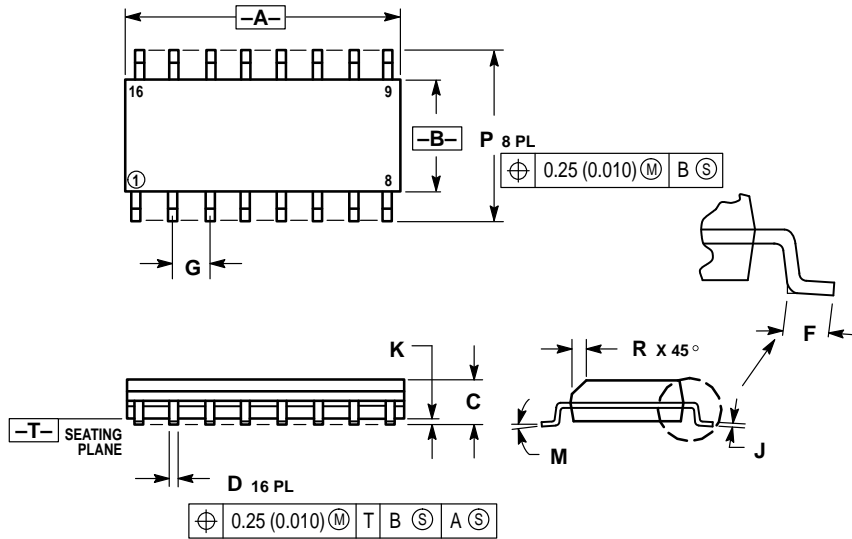
(DSSS) IEEE 802.11 operation, where differential binary phase shift keying (DBPSK) and differential quadrature phase shift keying (DQPSK) are specified, the amplifier will have to be "backed off" from saturation by 5.0 dB or more to avoid spectral regrowth. Care must be taken in the layout of the circuit and controlled impedance lines must be used at the RF pins. Capacitive bypassing as shown in the Applications Circuit must be implemented as close to the chip as possible to avoid amplifier instability. Additionally, the supply voltage should be supported by sufficient "stiffening" capacitance, typically electrolytic or tantalum bypass capacitors, to eliminate noise from digital circuits.

Output power control is accomplished by varying the voltage on the PCNTRL pin. 0 Vdc gives minimum output and reduces the current drawn by the amplifier to the quiescent value. The amplifier can be put into "sleep" mode by decreasing the voltage on the gate bias pins to -3.0 Vdc and the current drain is reduced to a few hundred microamps.

EVALUATION BOARDS

Evaluation boards are available for RF Monolithic Integrated Circuits by adding a "TF" suffix to the device type. For a complete list of currently available boards and ones in development for newly introduced product, please contact your local Motorola Distributor or Sales Office.

PACKAGE DIMENSIONS



NOTES:

1. DIMENSIONING AND TOLERANCING PER ANSI Y14.5M, 1982.
2. CONTROLLING DIMENSION: MILLIMETER.
3. DIMENSIONS A AND B DO NOT INCLUDE MOLD PROTRUSION.
4. MAXIMUM MOLD PROTRUSION 0.15 (0.006) PER SIDE.
5. DIMENSION D DOES NOT INCLUDE DAMBAR PROTRUSION. ALLOWABLE DAMBAR PROTRUSION SHALL BE 0.127 (0.005) TOTAL IN EXCESS OF THE D DIMENSION AT MAXIMUM MATERIAL CONDITION.

DIM	MILLIMETERS		INCHES	
	MIN	MAX	MIN	MAX
A	9.80	10.00	0.386	0.393
B	3.80	4.00	0.150	0.157
C	1.35	1.75	0.054	0.068
D	0.35	0.49	0.014	0.019
F	0.40	1.25	0.016	0.049
G	1.27 BSC		0.050 BSC	
J	0.19	0.25	0.008	0.009
K	0.10	0.25	0.004	0.009
M	0° 7°		0° 7°	
P	5.80	6.20	0.229	0.244
R	0.25	0.50	0.010	0.019

CASE 751B-05 ISSUE J

Motorola reserves the right to make changes without further notice to any products herein. Motorola makes no warranty, representation or guarantee regarding the suitability of its products for any particular purpose, nor does Motorola assume any liability arising out of the application or use of any product or circuit, and specifically disclaims any and all liability, including without limitation consequential or incidental damages. "Typical" parameters can and do vary in different applications. All operating parameters, including "Typicals" must be validated for each customer application by customer's technical experts. Motorola does not convey any license under its patent rights nor the rights of others. Motorola products are not designed, intended, or authorized for use as components in systems intended for surgical implant into the body, or other applications intended to support or sustain life, or for any other application in which the failure of the Motorola product could create a situation where personal injury or death may occur. Should Buyer purchase or use Motorola products for any such unintended or unauthorized application, Buyer shall indemnify and hold Motorola and its officers, employees, subsidiaries, affiliates, and distributors harmless against all claims, costs, damages, and expenses, and reasonable attorney fees arising out of, directly or indirectly, any claim of personal injury or death associated with such unintended or unauthorized use, even if such claim alleges that Motorola was negligent regarding the design or manufacture of the part. Motorola and are registered trademarks of Motorola, Inc. Motorola, Inc. is an Equal Opportunity/Affirmative Action Employer.

How to reach us:

USA / EUROPE: Motorola Literature Distribution;
P.O. Box 20912; Phoenix, Arizona 85036. 1-800-441-2447

JAPAN: Nippon Motorola Ltd.; Tatsumi-SPD-JLDC, Toshikatsu Otsuki,
6F Seibu-Butsuryu-Center, 3-14-2 Tatsumi Koto-Ku, Tokyo 135, Japan. 03-3521-8315

MFAX: RMFAX0@email.sps.mot.com - TOUCHTONE (602) 244-6609
INTERNET: <http://Design-NET.com>

HONG KONG: Motorola Semiconductors H.K. Ltd.; 8B Tai Ping Industrial Park,
51 Ting Kok Road, Tai Po, N.T., Hong Kong. 852-26629298