

HAMAMATSU

COMPACT BENCH-TOP TYPE REGULATED DC POWER SUPPLY C3830

Compact Bench-top Type Multipurpose Power Supply Multiple Outputs of ± 5 V, ± 15 V and High Voltage

FEATURES

- Compact bench-top type
- Multiple outputs of ± 5 V, ± 15 V and high voltage (-200 V to -1500 V)
- High stability

The C3830 is a bench-top type multipurpose power supply incorporating a high voltage power supply that provides maximum output of -1.5 kV for a photomultiplier tube and constant voltage power supplies that provide ± 5 V and ± 15 V for peripheral devices such as Hamamatsu preamplifiers and photon counting units. The four digit digital voltmeter on the front panel shows the output value of high voltage with high accuracy.



SPECIFICATIONS

Parameter	High Voltage Power Supply Section	± 5 V Power Supply Section	± 15 V Power Supply Section
Output Voltage	(-200 to -1500) V dc (variable)	$\pm(5.00 \pm 0.25)$ V dc (fixed)	$\pm(15.00 \pm 0.75)$ V dc (fixed)
Maximum Output Current	1 mA	500 mA	200 mA
Input Regulation [Ⓐ]	± 0.005 % Typ.	± 0.005 % Typ.	± 0.015 % Typ.
Load Regulation [Ⓑ]	± 0.01 % Typ.	± 0.5 % Typ.	± 0.5 % Typ.
Ripple/noise [Ⓒ]	0.005 %p-p Typ.	0.16 % p-p Typ.	0.06 %p-p Typ.
Drift [Ⓓ]	± 0.03 %/h Typ.	± 0.05 %/h Typ.	± 0.05 %/h Typ.
Temperature Coefficient	± 0.03 %/°C Typ.	± 0.03 %/°C Typ.	± 0.03 %/°C Typ.
Output Receptacle	One SHV receptacle	Two 4-pin receptacles (HIROSE SR30-10R-4S)	One 4-pin receptacle (MIYAMA MC-032)
High Voltage Output Monitor	4-digit display	—	—
High Voltage Output Monitoring Accuracy	± 0.5 % Typ.	—	—
Input Line Voltage	(100 \pm 10) V ac, (120 \pm 12) V ac, (230 \pm 23) V ac, (To be selected on order)		
Input Line Voltage Frequency	50 Hz to 60 Hz		
Power Consumption [Ⓓ]	Approx. 50 VA Max.		
Operating Temperature/ Humidity Range [Ⓔ]	0 °C to +40 °C, 90 % RH Max.		
Characteristics Guaranteed Temperature/Humidity Range [Ⓕ]	+5 °C to +35 °C, 85 % RH Max.		
Storage Temperature/ Humidity Range [Ⓖ]	-20 °C to +50 °C, 95 % RH Max.		
Dimensions [Ⓕ]	255 mm(W) \times 54 mm(H) \times 230 mm(D)		
Weight	Approx. 2.8 kg		

Ⓐ: For 10 % change in line voltage

Ⓑ: For 0 % to 100 % change in load

Ⓒ: At the maximum output

Ⓓ: After 30-minute warm-up

Ⓔ: Without moisture condensation

Ⓕ: Excluding projecting parts

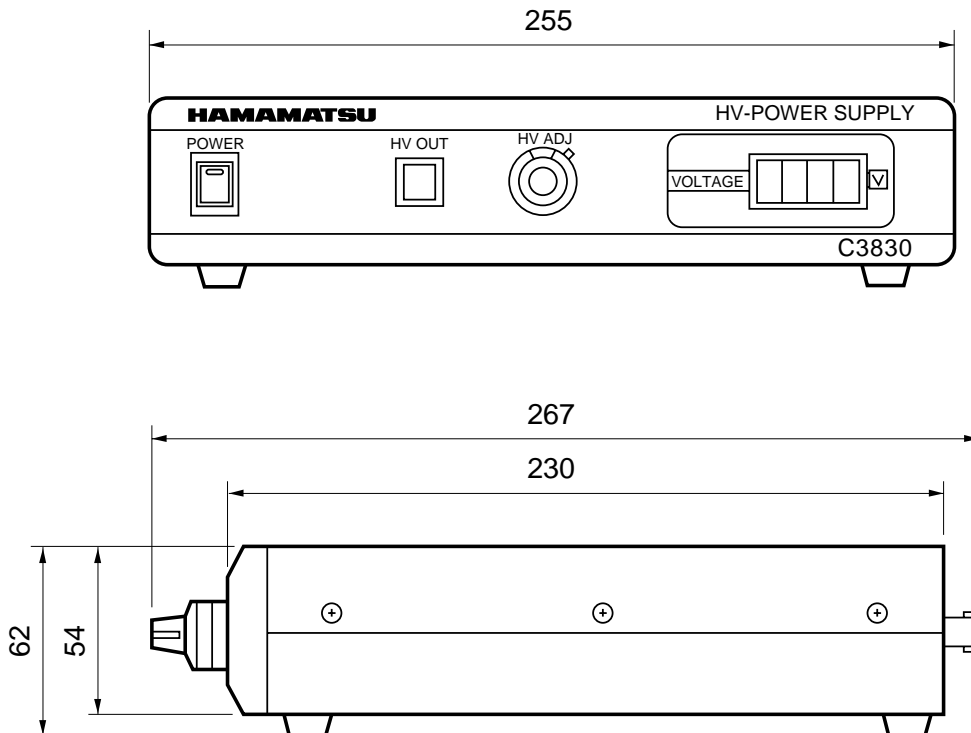


COMPACT BENCH-TOP TYPE REGULATED DC POWER SUPPLY C3830

ACCESSORIES

- 1. High voltage output cable (1.5 m long) terminated with SHV-P plugs (E1168-17) 1
- 2. Spare fuses 2
- 3. ± 5 V mating plugs (HIROSE SR30-10PE-4P) 2
- 4. ± 15 V mating plug (MIYAMA MC-032) 1
- 5. Instruction manual 1

DIMENSIONAL OUTLINES (Unit: mm)



TACCA0016EB

HAMAMATSU

HOME PAGE URL <http://www.hamamatsu.com>

HAMAMATSU PHOTONICS K.K., Electron Tube Center

314-5, Shimokanzo, Toyooka-village, Iwata-gun, Shizuoka-ken, 438-0193, Japan, Telephone: (81)539/62-5248, Fax: (81)539/62-2205

U.S.A.: Hamamatsu Corporation: 360 Foothill Road, P. O. Box 6910, Bridgewater, N.J. 08807-0910, U.S.A., Telephone: (1)908-231-0960, Fax: (1)908-231-1218

Germany: Hamamatsu Photonics Deutschland GmbH: Arzbergerstr. 10, D-82211 Herrsching am Ammersee, Germany, Telephone: (49)8152-375-0, Fax: (49)8152-2658

France: Hamamatsu Photonics France S.A.R.L.: 8, Rue du Saule Trapu, Parc du Moulin de Massy, 91882 Massy Cedex, France, Telephone: (33)1 69 53 71 00, Fax: (33)1 69 53 71 10

United Kingdom: Hamamatsu Photonics UK Limited: Lough Point, 2 Gladbeck Way, Windmill Hill, Enfield, Middlesex EN2 7JA, United Kingdom, Telephone: 44(20)8-367-3560, Fax: 44(20)8-367-6384

North Europe: Hamamatsu Photonics Norden AB: Smidesvägen 12, SE-171-41 SOLNA, Sweden, Telephone: (46)8-509-031-00, Fax: (46)8-509-031-01

Italy: Hamamatsu Photonics Italia: S.R.L.: Strada della Moia, 1/E, 20020 Arese, (Milano), Italy, Telephone: (39)02-935 81 733, Fax: (39)02-935 81 741

TACC1001E03