

**TOSHIBA**

**TC7SET04F/U**

TOSHIBA CMOS DIGITAL INTEGRATED CIRCUIT SILICON MONOLITHIC

# TC7SET04F, TC7SET04FU

## INVERTER

The TC7SET04 is an advanced high speed CMOS INVERTER fabricated with silicon gate CMOS technology.

It achieves the high speed operation similar to equivalent Bipolar Schottky TTL while maintaining the CMOS low power dissipation.

The input threshold levels are compatible with TTL output voltage. This device can be used for level converter for interfacing 3V to 5V system.

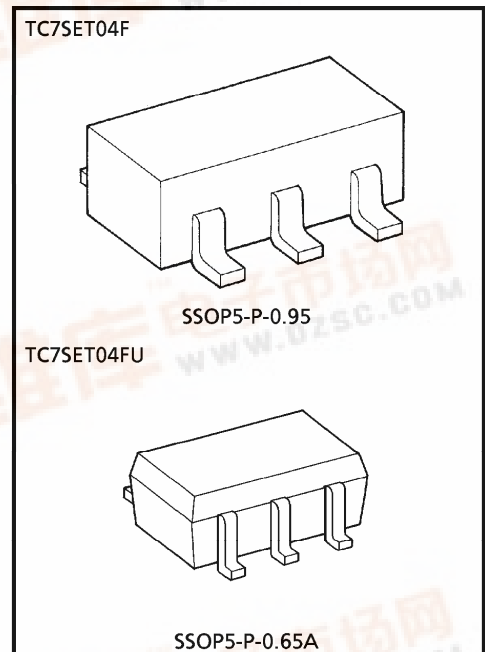
An input protection circuit ensures that 0V to 7V can be applied to the input pins without regard to the supply voltage.

### FEATURES

- High Speed .....  $t_{pd} = 5.0ns$  (Typ.) at  $V_{CC} = 5V$
- Low Power Dissipation .....  $I_{CC} = 2\mu A$  (Max.) at  $T_a = 25^\circ C$
- Compatible with TTL outputs .....  $V_{IL} = 0.8V$  (Max.)  
 $V_{IH} = 2.0V$  (Min.)
- Power Down Protection is provided on all inputs.
- Balanced Propagation Delays .....  $t_{pLH} = t_{pHL}$

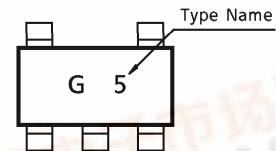
### MAXIMUM RATINGS ( $T_a = 25^\circ C$ )

| CHARACTERISTIC              | SYMBOL    | RATING               | UNIT |
|-----------------------------|-----------|----------------------|------|
| Supply Voltage Range        | $V_{CC}$  | -0.5~7.0             | V    |
| DC Input Voltage            | $V_{IN}$  | -0.5~7.0             | V    |
| DC Output Voltage           | $V_{OUT}$ | -0.5~ $V_{CC} + 0.5$ | V    |
| Input Diode Current         | $I_{IK}$  | -20                  | mA   |
| Output Diode Current        | $I_{OK}$  | ±20                  | mA   |
| DC Output Current           | $I_{OUT}$ | ±25                  | mA   |
| DC $V_{CC}$ /Ground Current | $I_{CC}$  | ±50                  | mA   |
| Power Dissipation           | $P_D$     | 200                  | mW   |
| Storage Temperature         | $T_{stg}$ | -65~150              | °C   |
| Lead Temperature (10 s)     | $T_L$     | 260                  | °C   |



Weight SSOP5-P-0.95 : 0.016g (Typ.)  
SSOP5-P-0.65A : 0.006g (Typ.)

### MARKING



### TRUTH TABLE

| A | Y |
|---|---|
| L | H |
| H | L |

980508EBA2

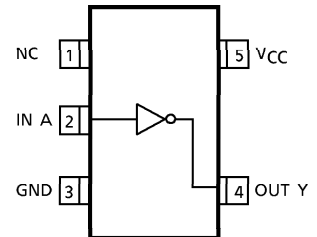
● TOSHIBA is continually working to improve the quality and the reliability of its products. Nevertheless, semiconductor devices in general can malfunction or fail due to their inherent electrical sensitivity and vulnerability to physical stress. It is the responsibility of the buyer, when utilizing TOSHIBA products, to observe standards of safety, and to avoid situations in which a malfunction or failure of a TOSHIBA product could cause loss of human life, bodily injury or damage to property. In developing your designs, please ensure that TOSHIBA products are used within specified operating ranges as set forth in the most recent products specifications. Also, please keep in mind the precautions and conditions set forth in the TOSHIBA Semiconductor Reliability Handbook.



### LOGIC DIAGRAM



### PIN ASSIGNMENT (TOP VIEW)



### RECOMMENDED OPERATING CONDITIONS

| CHARACTERISTIC           | SYMBOL    | RATING  | UNIT |
|--------------------------|-----------|---------|------|
| Supply Voltage           | $V_{CC}$  | 4.5~5.5 | V    |
| Input Voltage            | $V_{IN}$  | 0~5.5   | V    |
| Output Voltage           | $V_{OUT}$ | 0~5.5   | V    |
| Operating Temperature    | $T_{opr}$ | -40~85  | °C   |
| Input Rise and Fall Time | $dt/dv$   | 0~20    | ns/V |

### DC ELECTRICAL CHARACTERISTICS

| CHARACTERISTIC            | SYMBOL    | TEST CONDITION   | $V_{CC}$<br>(V)           | $T_a = 25^\circ\text{C}$ |      |           | $T_a = -40 \sim 85^\circ\text{C}$ |           | UNIT          |   |
|---------------------------|-----------|--|---------------------------|--------------------------|------|-----------|-----------------------------------|-----------|---------------|---|
|                           |           |  |                           | MIN.                     | TYP. | MAX.      | MIN.                              | MAX.      |               |   |
| High-Level Input Voltage  | $V_{IH}$  |  | 4.5~5.5                   | 2.0                      | —    | —         | 2.0                               | —         | V             |   |
| Low-Level Input Voltage   | $V_{IL}$  |  | 4.5~5.5                   | —                        | —    | 0.8       | —                                 | 0.8       | V             |   |
| High-Level Output Voltage | $V_{OH}$  | $V_{IN} = V_{IL}$  | $I_{OH} = -50\mu\text{A}$ | 4.5                      | 4.4  | 4.5       | —                                 | 4.4       | —             | V |
|                           |           |  | $I_{OH} = -8\text{mA}$    | 4.5                      | 3.94 | —         | —                                 | 3.80      | —             |   |
| Low-Level Output Voltage  | $V_{OL}$  | $V_{IN} = V_{IH}$  | $I_{OL} = 50\mu\text{A}$  | 4.5                      | —    | 0.0       | 0.10                              | —         | 0.10          | V |
|                           |           |  | $I_{OL} = 8\text{mA}$     | 4.5                      | —    | —         | 0.36                              | —         | 0.44          |   |
| Input Leakage Current     | $I_{IN}$  | $V_{IN} = 5.5\text{V}$ or GND                                      | 0~5.5                     | —                        | —    | $\pm 0.1$ | —                                 | $\pm 1.0$ | $\mu\text{A}$ |   |
| Quiescent Supply Current  | $I_{CC}$  | $V_{IN} = V_{CC}$ or GND   | 5.5                       | —                        | —    | 2.0       | —                                 | 20.0      | $\mu\text{A}$ |   |
|                           | $I_{CCT}$ | PER INPUT : $V_{IN} = 3.4\text{V}$<br>OTHER INPUT: $V_{CC}$ or GND | 5.5                       | —                        | —    | 1.35      | —                                 | 1.50      | mA            |   |

980508EBA2'

- The products described in this document are subject to foreign exchange and foreign trade laws.
- The information contained herein is presented only as a guide for the applications of our products. No responsibility is assumed by TOSHIBA CORPORATION for any infringements of intellectual property or other rights of the third parties which may result from its use. No license is granted by implication or otherwise under any intellectual property or other rights of TOSHIBA CORPORATION or others.
- The information contained herein is subject to change without notice.

**AC ELECTRICAL CHARACTERISTICS** (Input  $t_r = t_f = 3\text{ns}$ )

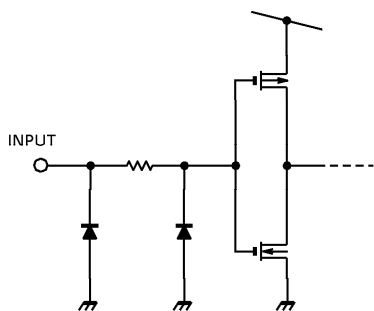
| CHARACTERISTIC                | SYMBOL           | TEST CONDITION      |                     | Ta = 25°C |      |      | Ta = -40~85°C |      | UNIT |
|-------------------------------|------------------|---------------------|---------------------|-----------|------|------|---------------|------|------|
|                               |                  | V <sub>CC</sub> (V) | C <sub>L</sub> (pF) | MIN.      | TYP. | MAX. | MIN.          | MAX. |      |
| Propagation Delay Time        | t <sub>PLH</sub> | 5.0 ± 0.5           | 15                  | —         | 5.0  | 7.0  | 1.0           | 8.0  | ns   |
|                               | t <sub>PHL</sub> |                     | 50                  | —         | 8.0  | 10.5 | 1.0           | 12.0 |      |
| Input Capacitance             | C <sub>IN</sub>  |                     |                     | —         | 4    | 10   | —             | 10   | pF   |
| Power Dissipation Capacitance | C <sub>PD</sub>  | (Note 1)            |                     | —         | 17   | —    | —             | —    |      |

(Note 1) : C<sub>PD</sub> is defined as the value of the internal equivalent capacitance which is calculated from the operating current consumption without load.

Average operating current can be obtained by the equation :

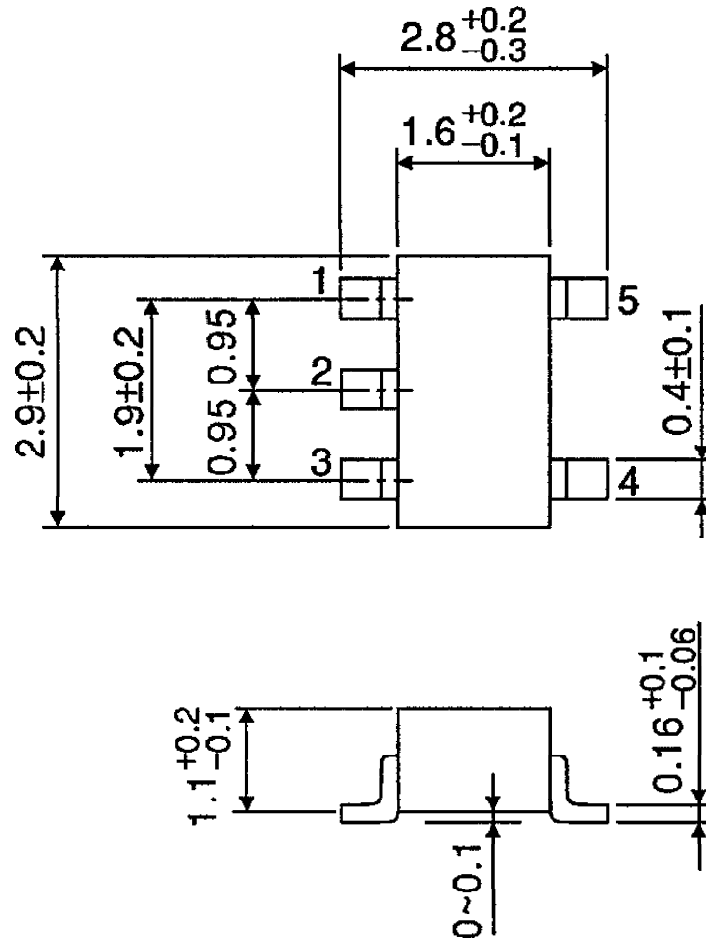
$$I_{CC (opr)} = C_{PD} \cdot V_{CC} \cdot f_{IN} + I_{CC}$$

**INPUT EQUIVALENT CIRCUIT**



OUTLINE DRAWING  
SSOP5-P-0.95

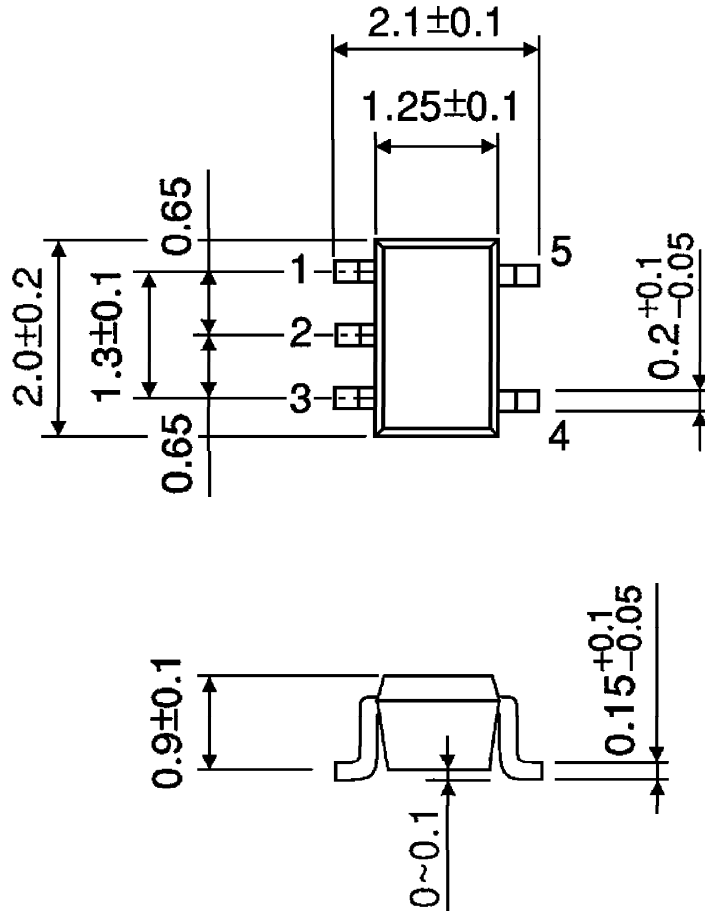
Unit : mm



Weight : 0.016g (Typ.)

OUTLINE DRAWING  
SSOP5-P-0.65A

Unit : mm



Weight : 0.006g (Typ.)