

Ordering number : EN \*5428A



# LC89086M

## 8 Bit A/D Converter

### Preliminary

### Overview

The LC89086M is a low-power high-speed 8-bit serial-parallel A/D converter fabricated in a high-speed CMOS process.

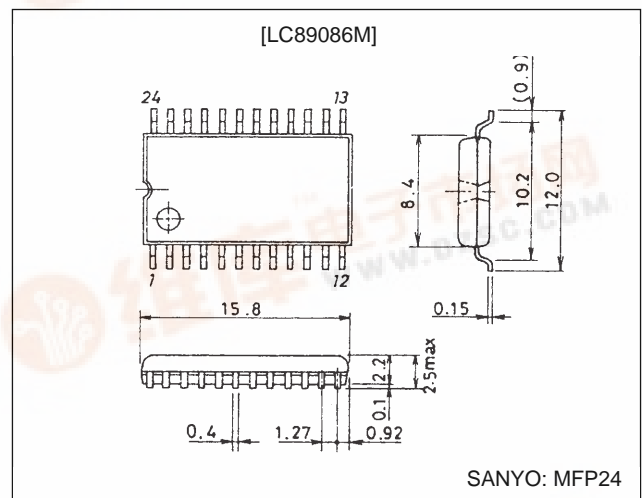
### Features

- Resolution: 8 bits (with an overflow output)
- Maximum conversion rate: 20M samples per second
- Error: Less than  $\pm 1.0$  LSB
- Power supply: +5-V single-voltage power supply
- Power dissipation: 150 mW (typical)
- Analog input voltage range:  $V_{SS}$  to  $V_{DD}$
- Digital output voltage: 3 state TTL level

### Package Dimensions

unit: mm

#### 3155-MFP24



### Specifications

Absolute Maximum Ratings at  $T_a = 25^\circ\text{C}$ ,  $DV_{SS} = AV_{SS} = 0\text{ V}$

Parameter	Symbol	Conditions	Ratings	Unit
Maximum supply voltage	$V_{DD\text{ max}}$		-0.3 to +7.0	V
Input voltage	$V_{IN\text{ max}}$		-0.3 to $V_{DD} + 0.3$	V
Operating temperature	$T_{opr}$		-30 to +70	$^\circ\text{C}$
Storage temperature	$T_{stg}$		-40 to +125	$^\circ\text{C}$

### Recommended Operating Conditions

Parameter	Symbol	Conditions	Ratings			Unit
			min	typ	max	
Supply voltage	$V_{DD}$		4.5	5.0	5.5	V
Operating ambient temperature	$T_a$		-30		+70	$^\circ\text{C}$



## LC89086M

### Electrical Characteristics

**Electrical DC Characteristics at  $T_a = -30$  to  $+70^\circ\text{C}$ ,  $AV_{DD} = DV_{DD} = 4.5$  to  $5.5$  V,  $AV_{SS} = DV_{SS} = 0$  V**

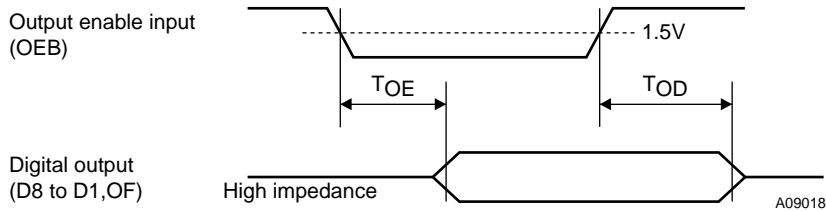
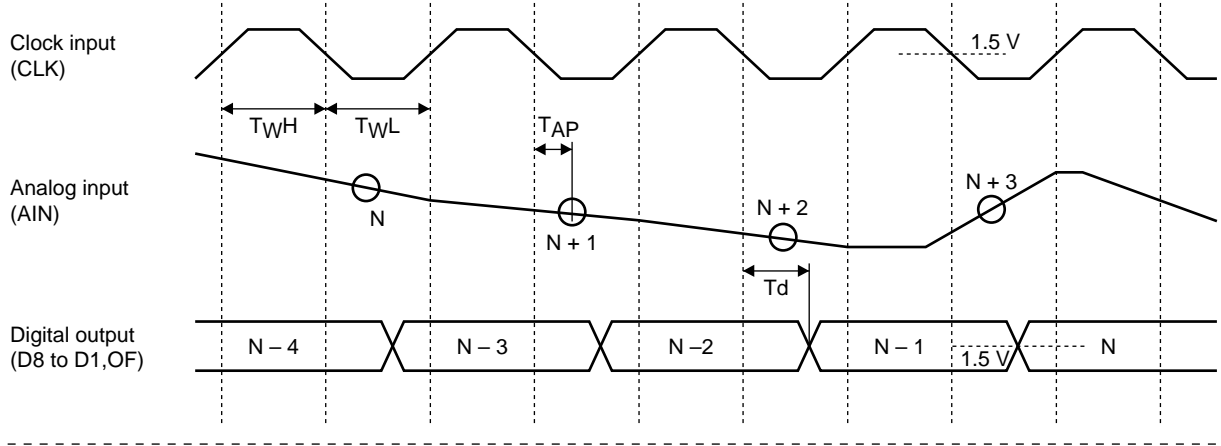
Parameter	Symbol	Conditions	Ratings			Unit
			min	typ	max	
Reference resistance	Rref	VrefH (pin 5) – VrefL (pin 8)	210	300	390	$\Omega$
Analog input capacitance	$C_{AIN}$			30		pF
Analog input resistance	$R_{AIN}$			10		M $\Omega$
Reference high-level input voltage	VrefH	When VrefHO (pin 4) and VrefLO (pin 9) are unused.	VrefL + 2.0		$V_{DD}$	V
Reference low-level input voltage	VrefL	When VrefHO (pin 4) and VrefLO (pin 9) are unused.	0		VrefH – 2.0	V
Reference high-level output voltage	VrefH	When VrefHO (pin 4) and VrefLO (pin 9) are used, and $AV_{DD} = DV_{DD} = 5$ V	1.9	2.0	2.1	V
Reference low-level output voltage	VrefL	When VrefHO (pin 4) and VrefLO (pin 9) are used, and $AV_{DD} = DV_{DD} = 5$ V	–0.05	0	+0.05	V
Analog input voltage	$V_{AIN}$		VrefL		VrefH	V
Digital high-level voltage	$V_{IH}$		2.2		$V_{DD} + 0.3$	V
Digital low-level voltage	$V_{IL}$		–0.3		+0.8	V
Digital high-level output current	$I_{OH}$	$V_{OH} = V_{DD} - 0.4$ V	–2			mA
Digital low-level output current	$I_{OL}$	$V_{OL} = 0.4$ V	2			mA

**Electrical AC Characteristics 1 at  $T_a = -30$  to  $+70^\circ\text{C}$ ,  $AV_{DD} = DV_{DD} = 4.5$  to  $5.5$  V,  $AV_{SS} = DV_{SS} = 0$  V**

Parameter	Symbol	Conditions	Ratings			Unit
			min	typ	max	
Clock high-level period	$T_{WH}$		23			ns
Clock low-level period	$T_{WL}$		23			ns
Analog input acquisition time	$T_{AP}$		10	20	30	ns
Digital output data delay time	$T_d$	C load = 30 pF	15	30	45	ns
Digital output data enable time	$T_{OE}$	C load = 30 pF	2	5	10	ns
Digital output data disable time	$T_{OD}$	C load = 30 pF	2	5	10	ns

## LC89086M

### Timing Chart



The analog signal (AIN) is acquired on the falling edge of the clock input (CLK). The acquired analog signal is converted to a digital code and is output from the digital outputs (D8 to D1, OF) on the clock falling edge delayed three clock cycles from the clock cycle in which the analog signal was acquired.

### Electrical AC Characteristics 2

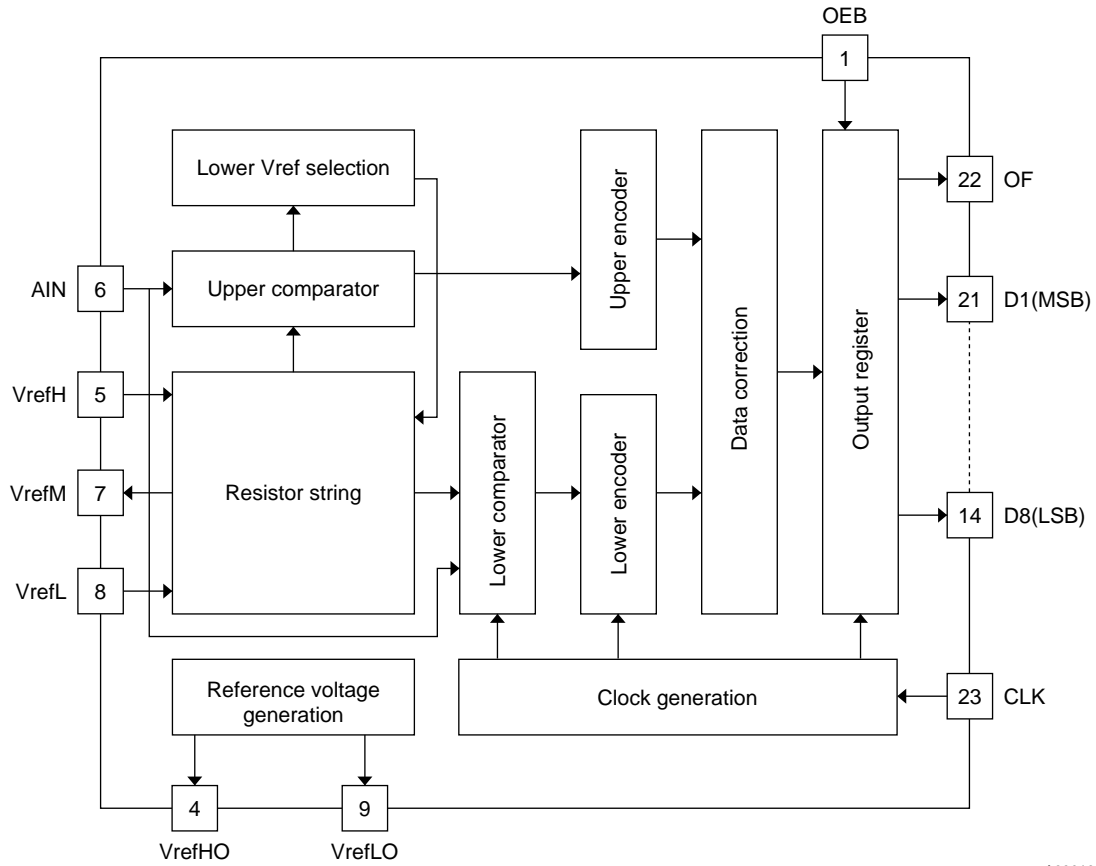
at  $T_a = 25^\circ\text{C}$ ,  $AV_{DD} = DV_{DD} = 5\text{ V}$ ,  $AV_{SS} = DV_{SS} = 0\text{ V}$ ,  $V_{refH} = 2\text{ V}$ ,  $V_{refL} = 0\text{ V}$

Parameter	Symbol	Conditions	Ratings			Unit
			min	typ	max	
Resolution	Res				8	bit
Maximum conversion rate	$F_s$				20	MSPS
Linearity error	LE	DC accuracy			$\pm 1.0$	LSB
Differential linearity error	DLE	DC accuracy			$\pm 1.0$	LSB
Offset voltage	$V_{offset}$	DC accuracy	10	50	90	mV
Power dissipation	$P_d$	$F_s = 20\text{ MSPS}$		150	220	mW

Note: Test circuits must conform to the sample application circuit.

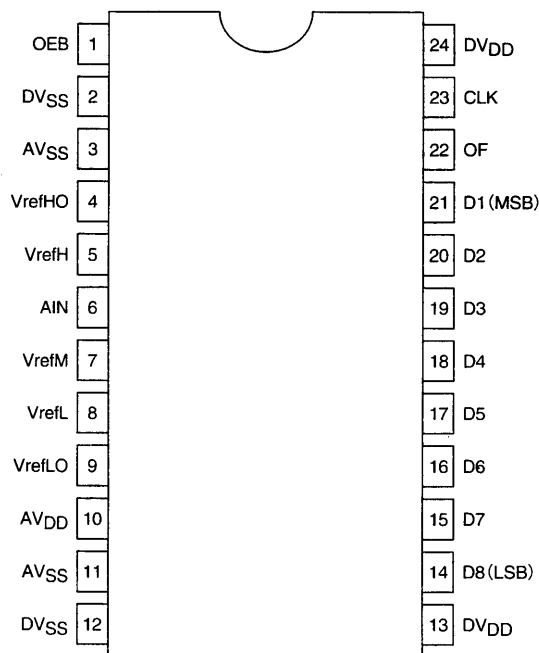
# LC89086M

## Block Diagram



A09019

## Pin Assignment



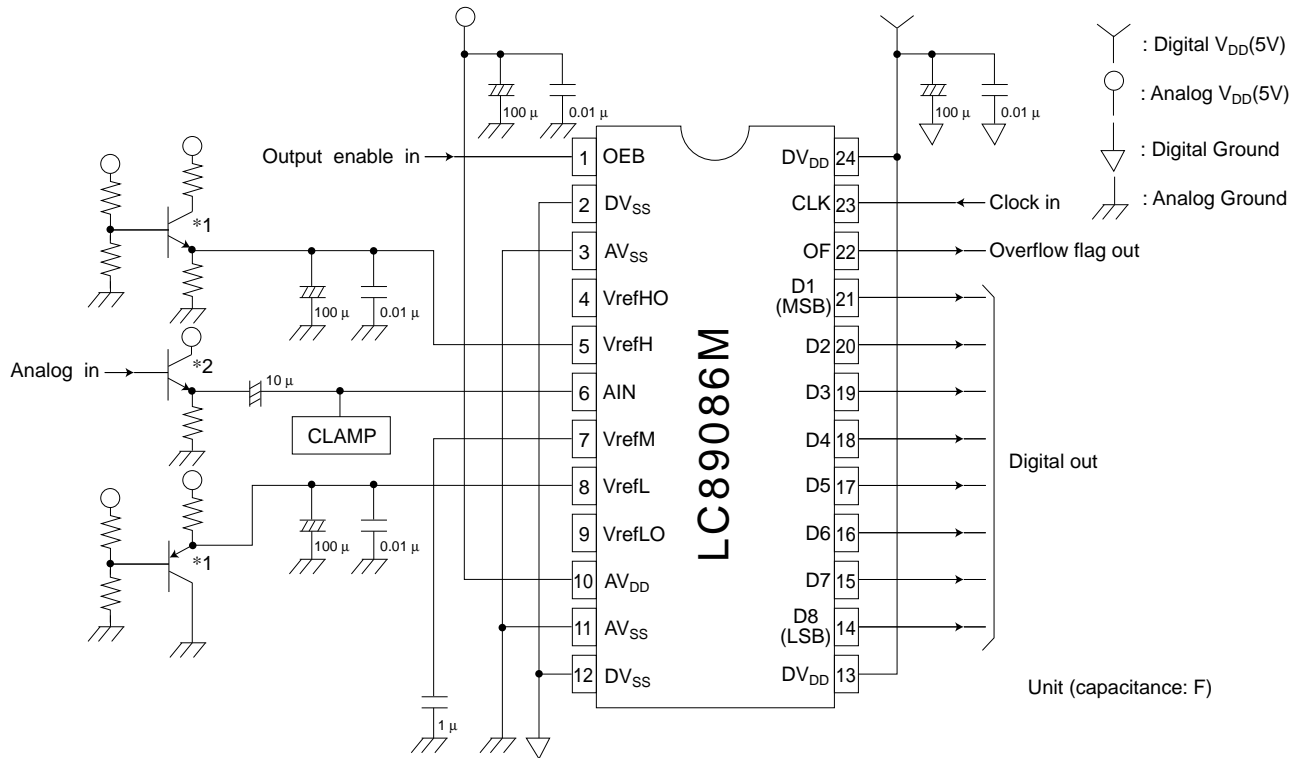
A09017

Top view



## LC89086M

### Sample Application Circuit



- Note 1. The value of the reference resistor is about 300 Ω. When this circuit is used with  $(V_{refH} - V_{refL}) = 2\text{ V}$ , a current of 6.7 mA will flow. Use an operational amplifier or emitter follower with at least this current capacity.
- Note 2. The analog input impedance is lower for AC inputs. Therefore, an operational amplifier or emitter follower with a high slew rate and a wide bandwidth must be used in the previous stage output, and the impedance must be reduced to under 100 Ω.

- No products described or contained herein are intended for use in surgical implants, life-support systems, aerospace equipment, nuclear power control systems, vehicles, disaster/crime-prevention equipment and the like, the failure of which may directly or indirectly cause injury, death or property loss.
- Anyone purchasing any products described or contained herein for an above-mentioned use shall:
  - ① Accept full responsibility and indemnify and defend SANYO ELECTRIC CO., LTD., its affiliates, subsidiaries and distributors and all their officers and employees, jointly and severally, against any and all claims and litigation and all damages, cost and expenses associated with such use:
  - ② Not impose any responsibility for any fault or negligence which may be cited in any such claim or litigation on SANYO ELECTRIC CO., LTD., its affiliates, subsidiaries and distributors or any of their officers and employees jointly or severally.
- Information (including circuit diagrams and circuit parameters) herein is for example only; it is not guaranteed for volume production. SANYO believes information herein is accurate and reliable, but no guarantees are made or implied regarding its use or any infringements of intellectual property rights or other rights of third parties.

This catalog provides information as of October, 1997. Specifications and information herein are subject to change without notice.