

Product Preview

3.3V Differential ECL/PECL PLL Clock Generator

The MPC9992 is a 3.3 V compatible, PLL based PECL clock driver. Using SiGe technology and a fully differential design ensures optimum skew and PLL jitter performance. The performance of the MPC9992 makes the device ideal for workstation, mainframe computer and telecommunication applications. With output frequencies up to 400 MHz and output skews less than 150 ps¹ the device meets the needs of the most demanding clock applications. The MPC9992 offers a differential PECL input and a crystal oscillator interface. All control signals are LVCMOS compatible.

Features

- 7 differential outputs, PLL based clock generator
- SiGe technology supports minimum output skew (max. 150 ps¹)
- Supports up to two generated output clock frequencies with a maximum clock frequency up to 400 MHz
- Selectable crystal oscillator interface and PECL compatible clock input
- SYNC pulse generation
- PECL compatible differential clock inputs and outputs
- Single 3.3V (PECL) supply
- Ambient temperature range 0°C to +70°C
- Standard 32 lead LQFP package
- Pin and function compatible to the MPC992

Functional Description

The MPC9992 utilizes PLL technology to frequency lock its outputs onto an input reference clock. The reference clock frequency and the divider for the feedback path determine the VCO frequency. Both must be selected to match the VCO frequency range. The MPC9992 features frequency programmability between the three output banks outputs as well as the output to input relationships. Output frequency ratios of 2:1, 3:1, 3:2 and 5:2 can be realized. The two banks of outputs and the feedback frequency divider can be programmed by the FSEL[2:0] pins of the device. The VCO_SEL pin provides an extended PLL input reference frequency range.

The SYNC pulse generator monitors the phase relationship between the QA[3:0] and QB[2:0] output banks. The SYNC generator output signals the coincident edges of the two output banks. This feature is useful for non binary relationships between output frequencies.

The REF_SEL pin selects the differential PECL compatible input pair or crystal oscillator interface as the reference clock signal. The PLL_EN control selects the PLL bypass configuration for test and diagnosis. In this configuration, the selected input reference clock is routed directly to the output dividers bypassing the PLL. The PLL bypass is fully static and the minimum clock frequency specification and all other PLL characteristics do not apply.

The MPC9992 requires an external reset signal for start-up and for PLL recovery in case the reference input is interrupted. Assertion of the reset signal forces all outputs to the logic low state.

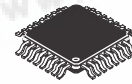
The MPC9992 is fully 3.3V compatible and requires no external loop filter components. The differential clock input (PCLK) is PECL compatible and all control inputs accept LVCMOS compatible signals while the outputs provide PECL compatible levels with the capability to drive terminated 50 Ω transmission lines.

The device is pin and function compatible to the MPC992 and is packaged in a 32-lead LQFP package.

1. Final specification of this parameter is pending characterization.

MPC9992

**3.3V DIFFERENTIAL
ECL/PECL
PLL CLOCK GENERATOR**



FA SUFFIX
32 LEAD LQFP PACKAGE
CASE 873A



MPC9992

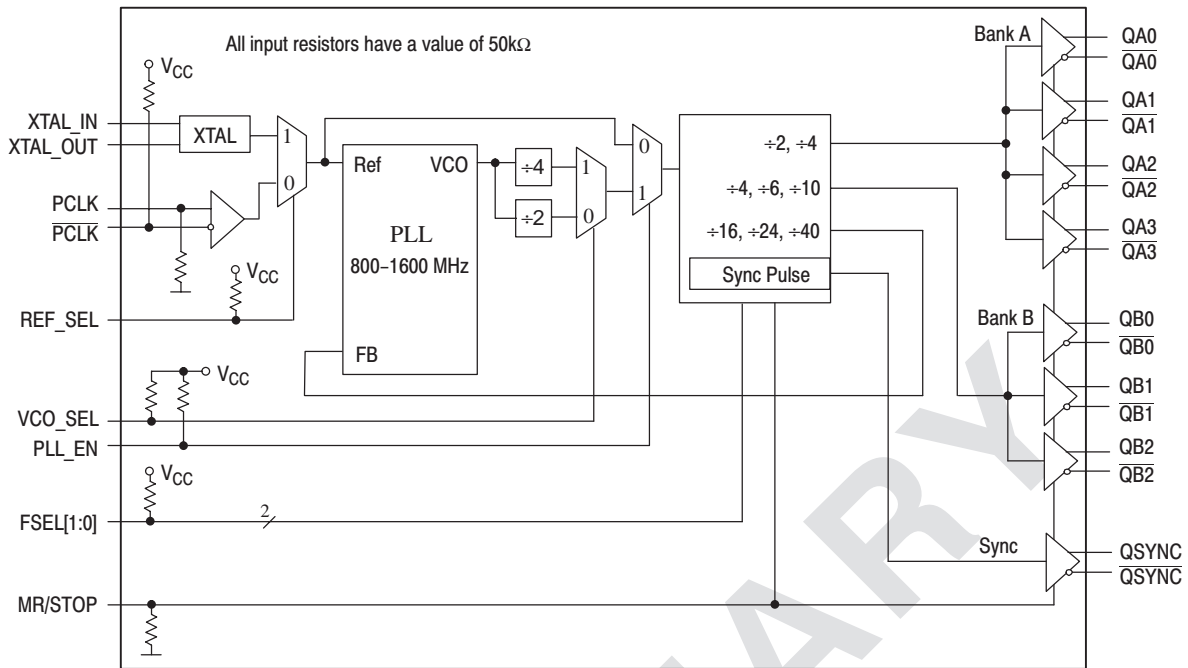


Figure 1. MPC9992 Logic Diagram

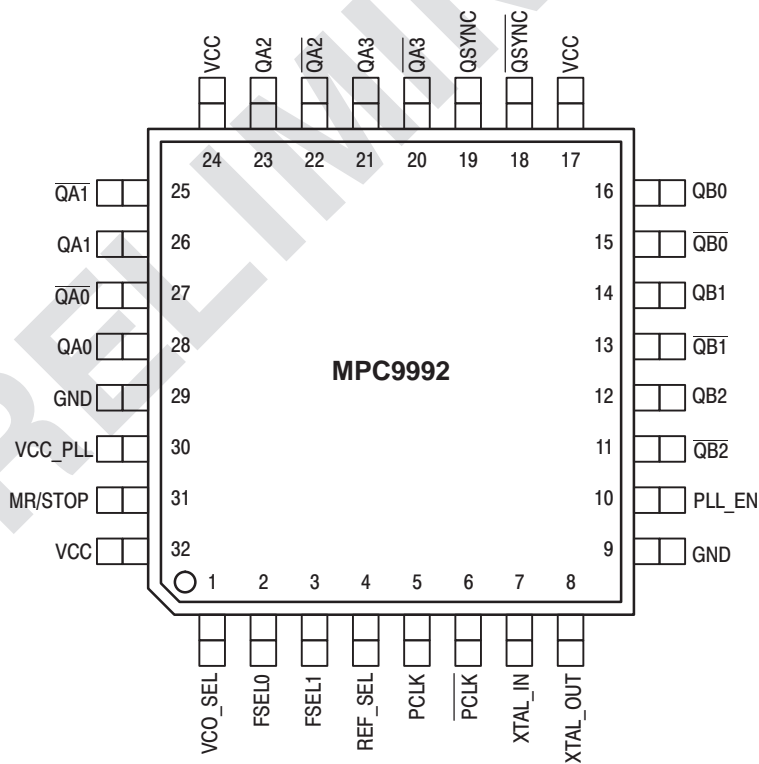


Figure 2. MPC9992 32-Lead Package Pinout (Top View)

Table 1: MPC9992 PLL Configurations

VCO_SEL	FSEL_0	FSEL_1	f _{REF} (MHz)	QA[3:0] (N _A)	QB[2:0] (N _B)	Frequency Ratio QA to QB	Internal Feedback (M · VCO_SEL)
0	0	0	16.6–33.3	VCO÷8 (6 · f _{REF})	VCO÷12 (4 · f _{REF})	3÷2	VCO÷48
0	0	1	25–50	VCO÷4 (8 · f _{REF})	VCO÷8 (4 · f _{REF})	2÷1	VCO÷32
0	1	0	10–20	VCO÷8 (10 · f _{REF})	VCO÷20 (4 · f _{REF})	5÷2	VCO÷80
0	1	1	16.6–33.3	VCO÷4 (12 · f _{REF})	VCO÷12 (4 · f _{REF})	3÷1	VCO÷48
1	0	0	8.3–16.6	VCO÷16 (6 · f _{REF})	VCO÷24 (4 · f _{REF})	3÷2	VCO÷96
1	0	1	12.5–25	VCO÷8 (8 · f _{REF})	VCO÷16 (4 · f _{REF})	2÷1	VCO÷64
1	1	0	5–10	VCO÷16 (10 · f _{REF})	VCO÷40 (4 · f _{REF})	5÷2	VCO÷160
1	1	1	8.3–16.6	VCO÷8 (12 · f _{REF})	VCO÷24 (4 · f _{REF})	3÷1	VCO÷96

Table 2: FUNCTION TABLE (Configuration Controls)

Control	Default	0	1
REF_SEL	1	Selects PCLK, PCLK as PLL reference signal input	Selects the crystal oscillator as PLL reference signal input
VCO_SEL	1	Selects VCO÷2. The VCO frequency is scaled by a factor of 2 (high input frequency range)	Selects VCO÷4. The VCO frequency is scaled by a factor of 4 (low input frequency range).
PLL_EN	1	Test mode with the PLL bypassed. The reference clock is substituted for the internal VCO output. MPC9992 is fully static and no minimum frequency limit applies. All PLL related AC characteristics are not applicable.	Normal operation mode with PLL enabled.
MR/STOP	0	Normal operation	Reset of the device and output disable (output clock stop). The outputs are stopped in logic low state: Qx=L, Qx̄=H. The minimum reset period should be greater than one reference clock cycle.

VCO_SEL and FSEL[1:0] control the operating PLL frequency range and input/output frequency ratios. See Table 1 for the device frequency configuration.

Table 3: PIN CONFIGURATION

Pin	I/O	Type	Function
PCLK, PCLK	Input	PECL	Differential reference clock signal input
XTAL_IN, XTAL_OUT		Analog	Crystal oscillator interface
VCO_SEL	Input	LVC MOS	VCO operating frequency select
PLL_EN	Input	LVC MOS	PLL Enable/Bypass mode select
REF_SEL	Input	LVC MOS	PLL reference signal input select
MR/STOP	Input	LVC MOS	Device reset and output clock disable (stop in logic low state)
FSEL[1:0]	Input	LVC MOS	Output and PLL feedback frequency divider select
QA[0-3], QĀ[0-3]	Output	PECL	Differential clock outputs (bank A)
QB[0-2], QB̄[0-2]	Output	PECL	Differential clock outputs (bank B)
QSYNC, QSYNC̄	Output	PECL	Differential clock outputs (bank C)
GND	Supply	GND	Negative power supply
VCC	Supply	VCC	Positive power supply. All VCC pins must be connected to the positive power supply for correct DC and AC operation
VCC_PLL	Supply	VCC	PLL positive power supply (analog power supply). It is recommended to use an external RC filter for the analog power supply pin VCC_PLL. Please see applications section for details

MPC9992

Table 4: ABSOLUTE MAXIMUM RATINGS^a

Symbol	Characteristics	Min	Max	Unit	Condition
V _{CC}	Supply Voltage	-0.3	3.6	V	
V _{IN}	DC Input Voltage	-0.3	V _{CC} +0.3	V	
V _{OUT}	DC Output Voltage	-0.3	V _{CC} +0.3	V	
I _{IN}	DC Input Current		±20	mA	
I _{OUT}	DC Output Current		±50	mA	
T _S	Storage Temperature	-65	125	°C	

a. Absolute maximum continuous ratings are those maximum values beyond which damage to the device may occur. Exposure to these conditions or conditions beyond those indicated may adversely affect device reliability. Functional operation at absolute-maximum-rated conditions is not implied.

Table 5: GENERAL SPECIFICATIONS

Symbol	Characteristics	Min	Typ	Max	Unit	Condition
V _{TT}	Output termination voltage		V _{CC} - 2		V	
MM	ESD Protection (Machine model)	200			V	
HBM	ESD Protection (Human body model)	4000			V	
CDM	ESD Protection (Charged device model)	1500			V	
LU	Latch-up immunity	200			mA	
C _{IN}	Input capacitance		4.0		pF	Inputs
θ _{JA}	Thermal resistance junction to ambient JESD 51-3, single layer test board		83.1	86.0	°C/W	Natural convection
			73.3	75.4	°C/W	100 ft/min
			68.9	70.9	°C/W	200 ft/min
			63.8	65.3	°C/W	400 ft/min
			57.4	59.6	°C/W	800 ft/min
	JESD 51-6, 2S2P multilayer test board		59.0	60.6	°C/W	Natural convection
			54.4	55.7	°C/W	100 ft/min
			52.5	53.8	°C/W	200 ft/min
			50.4	51.5	°C/W	400 ft/min
			47.8	48.8	°C/W	800 ft/min
θ _{JC}	Thermal resistance junction to case		23.0	26.3	°C/W	MIL-SPEC 883E Method 1012.1
T _J	Operating junction temperature ^a (continuous operation) MTBF = 9.1 years	0		110	°C	

a. Operating junction temperature impacts device life time. Maximum continuous operating junction temperature should be selected according to the application life time requirements (See application note AN1545 for more information). The device AC and DC parameters are specified up to 110°C junction temperature allowing the MPC9992 to be used in applications requiring industrial temperature range. It is recommended that users of the MPC9992 employ thermal modeling analysis to assist in applying the junction temperature specifications to their particular application.

Table 6: DC CHARACTERISTICS ($V_{CC} = 3.3V \pm 5\%$, $GND = 0V$, $T_A = 0^\circ C$ to $70^\circ C$)^a

Symbol	Characteristics	Min	Typ	Max	Unit	Condition
Differential PECL clock inputs (PCLK, PCLK) ^b						
V_{PP}	AC differential input voltage ^c	0.1		1.3	V	Differential operation
V_{CMR}	Differential cross point voltage ^d	1.0		$V_{CC}-0.3$	V	Differential operation
I_{IN}	Input Current ^e			± 200	μA	$V_{IN}=V_{CC}$ or GND
Single-ended PECL clock inputs (VCO_SEL, PLL_EN, MR/STOP, REF_SEL, FSEL[1:0])						
V_{IH}	Input high voltage	2.0		$V_{CC} + 0.3$	V	LVC MOS
V_{IL}	Input low voltage			0.8	V	LVC MOS
I_{IN}	Input Current ^e			± 200	μA	$V_{IN}=V_{CC}$ or GND
PECL clock outputs (QA[3:0], \overline{QA} [3:0], QB[2:0], \overline{QB} [2:0], QSYNC, \overline{QSYNC})						
V_{OH}	Output High Voltage	TBD	$V_{CC}-1.005$	TBD	V	Termination 50Ω to V_{TT}
V_{OL}	Output Low Voltage	TBD	$V_{CC}-1.705$	TBD	V	Termination 50Ω to V_{TT}
Supply Current						
I_{CC_PLL}	Maximum PLL Supply Current			20	mA	V_{CC_PLL} pin
I_{GND}^f	Maximum Supply Current			150	mA	V_{CC} pins

- AC characteristics are design targets and pending characterization.
- Clock inputs driven by PECL compatible signals.
- V_{PP} is the minimum differential input voltage swing required to maintain AC characteristics.
- V_{CMR} (DC) is the crosspoint of the differential input signal. Functional operation is obtained when the crosspoint is within the V_{CMR} (DC) range and the input swing lies within the V_{PP} (DC) specification.
- Inputs have pull-down resistors affecting the input current.
- Does not include output drive current which is dependant on output termination methods.

MPC9992

Table 7: AC CHARACTERISTICS ($V_{CC} = 3.3V \pm 5\%$, $GND = 0V$, $T_A = 0^\circ C$ to $+70^\circ C$)^{a b}

Symbol	Characteristics	Min	Typ	Max	Unit	Condition	
f_{ref}	Input reference frequency	+32 feedback	25.0		50.0	MHz	PLL locked
		+48 feedback	16.67		33.3	MHz	
		+64 feedback	12.5		25.0	MHz	
		+80 feedback	10.0		20.0	MHz	
		+96 feedback	8.33		16.67	MHz	
		+160 feedback	5.0		10.0	MHz	
	Input reference frequency in PLL bypass mode ^c				TBD	MHz	PLL bypass
f_{XTAL}	Crystal interface frequency range ^d	10		20	MHz		
f_{VCO}	VCO frequency range ^e	800		1600	MHz		
f_{MAX}	Output Frequency	+4 output	200.0		400.0	MHz	PLL locked
		+8 output	100.0		200.0	MHz	
		+12 output	66.6		133.3	MHz	
		+16 output	50.0		100.0	MHz	
		+20 output	40.0		80.0	MHz	
		+24 output	33.3		66.6	MHz	
		+48 output	16.6		33.3	MHz	
V_{PP}	Differential input voltage ^f (peak-to-peak)		0.3	1.3	V		
V_{CMR}	Differential input crosspoint voltage ^g (PCLK)			$V_{CC}-0.3$	V		
$V_{O(P-P)}$	Differential output voltage (peak-to-peak) (PCLK)		0.8	TBD	V		
f_{refDC}	Reference Input Duty Cycle	40		60	%		
$t(\varnothing)$	Propagation Delay (static phase offset) (PCLK, PCLK to FB_IN)		± 150		ps	PLL locked	
$t_{sk(O)}$	Output-to-output Skew ^h			100	ps		
DC	Output duty cycle	45	50	55	%		
$t_{JIT(CC)}$	Cycle-to-cycle jitter RMS (1 σ) ⁱ		TBD		ps		
$t_{JIT(PER)}$	Period Jitter RMS (1 σ)		TBD		ps		
$t_{JIT(\varnothing)}$	I/O Phase Jitter RMS (1 σ)		TBD		ps		
BW	PLL closed loop bandwidth ^j				kHz		
t_{LOCK}	Maximum PLL Lock Time		10		ms		
t_r, t_f	Output Rise/Fall Time	0.05		TBD	ns	20% to 80%	

- AC characteristics are design targets and pending characterization.
- AC characteristics apply for parallel output termination of 50Ω to V_{TT} .
- In bypass mode, the MPC9992 divides the input reference clock.
- The crystal frequency range must both meet the interface frequency range and VCO lock range divided by the feedback divider ratio:
 $f_{XTAL(min, max)} = f_{VCO(min, max)} \div (M \cdot VCO_SEL)$ and $10\text{ MHz} \leq f_{XTAL} \leq 20\text{ MHz}$.
- The input reference frequency must match the VCO lock range divided by the total feedback divider ratio: $f_{ref} = f_{VCO} \div (M \cdot VCO_SEL)$
- V_{PP} is the minimum differential input voltage swing required to maintain AC characteristics including tpd and device-to-device skew
- V_{CMR} (AC) is the crosspoint of the differential input signal. Normal AC operation is obtained when the crosspoint is within the V_{CMR} (AC) range and the input swing lies within the V_{PP} (AC) specification. Violation of V_{CMR} (AC) or V_{PP} (AC) impacts the device propagation delay, device and part-to-part skew.
- See application section for part-to-part skew calculation.
- See application section for a jitter calculation for other confidence factors than 1 σ .
- 3 dB point of PLL transfer characteristics.

APPLICATIONS INFORMATION

SYNC Output Description

The MPC9992 has a system synchronization pulse output QSYNC. In configurations with the output frequency relationships are not integer multiples of each other QSYNC provides a signal for system synchronization purposes. The MPC9992 monitors the relationship between the A bank and the B bank of outputs. The QSYNC output is asserted (logic

high) one QA period in duration after the coincident rising edges of the QA and QB outputs. The placement of the pulse is dependent on the QA and QB output frequencies ratio. Table 2 shows the waveforms for the QSYNC output. The QSYNC output is defined for all possible combinations of the bank A and bank B outputs.

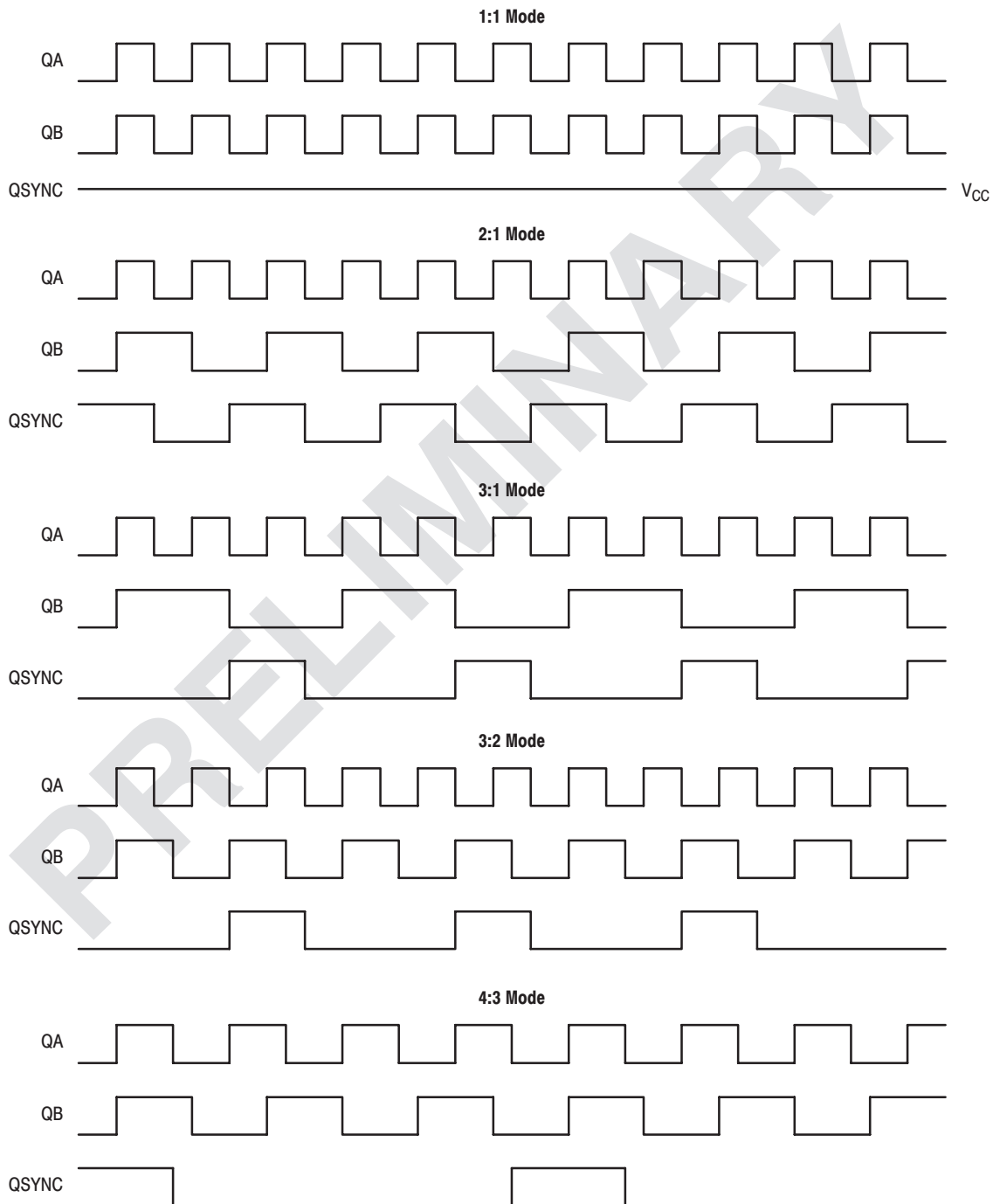


Figure 3. QSYNC Timing Diagram

MPC9992

Power Supply Filtering

The MPC9992 is a mixed analog/digital product. Its analog circuitry is naturally susceptible to random noise, especially if this noise is seen on the power supply pins. Random noise on the V_{CC_PLL} power supply impacts the device characteristics, for instance I/O jitter. The MPC9992 provides separate power supplies for the output buffers (V_{CC}) and the phase-locked loop (V_{CC_PLL}) of the device. The purpose of this design technique is to isolate the high switching noise from the relatively sensitive internal analog phase-locked loop. In a digital system environment where it is more difficult to minimize noise on the power supplies a second level of isolation may be required. The simple but effective form of isolation is a power supply filter on the V_{CC_PLL} pin for the MPC9992. Figure 4. illustrates a typical power supply filter scheme. The MPC9992 frequency and phase stability is most susceptible to noise with spectral content in the 100kHz to 20MHz range. Therefore the filter should be designed to target this range. The key parameter that needs to be met in the final filter design is the DC voltage drop across the series filter resistor R_F . From the data sheet the I_{CC_PLL} current (the current sourced through the V_{CC_PLL} pin) is typically 3 mA (5 mA maximum), assuming that a minimum of 2.325V ($V_{CC}=3.3V$ or $V_{CC}=2.5V$) must be maintained on the V_{CC_PLL} pin. The resistor R_F shown in Figure 4. “ V_{CC_PLL} Power Supply Filter” must have a resistance of 9-10 Ω ($V_{CC}=2.5V$) to meet the voltage drop criteria.

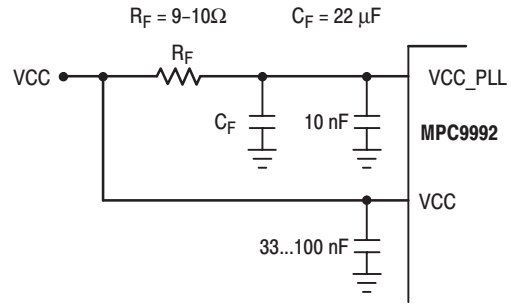


Figure 4. V_{CC_PLL} Power Supply Filter

The minimum values for R_F and the filter capacitor C_F are defined by the required filter characteristics: the RC filter should provide an attenuation greater than 40 dB for noise whose spectral content is above 100 kHz. In the example RC filter shown in Figure 4. “ V_{CC_PLL} Power Supply Filter”, the filter cut-off frequency is around 3-5 kHz and the noise attenuation at 100 kHz is better than 42 dB.

As the noise frequency crosses the series resonant point of an individual capacitor its overall impedance begins to look inductive and thus increases with increasing frequency. The parallel capacitor combination shown ensures that a low impedance path to ground exists for frequencies well above the bandwidth of the PLL. Although the MPC9992 has several design features to minimize the susceptibility to power supply noise (isolated power and grounds and fully differential PLL) there still may be applications in which overall performance is being degraded due to system power supply noise. The power supply filter schemes discussed in this section should be adequate to eliminate power supply noise related problems in most designs.

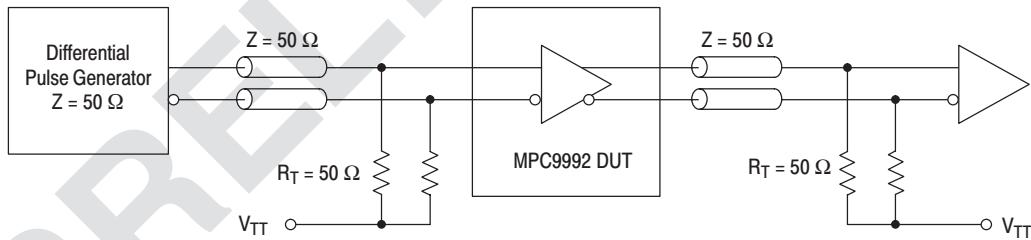
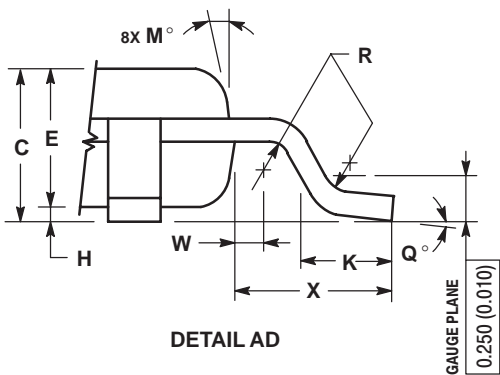
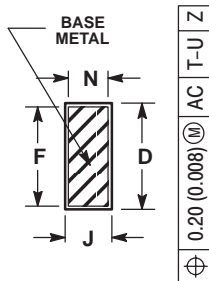
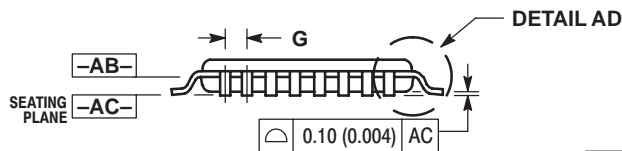
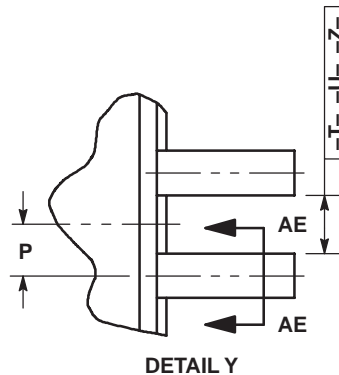
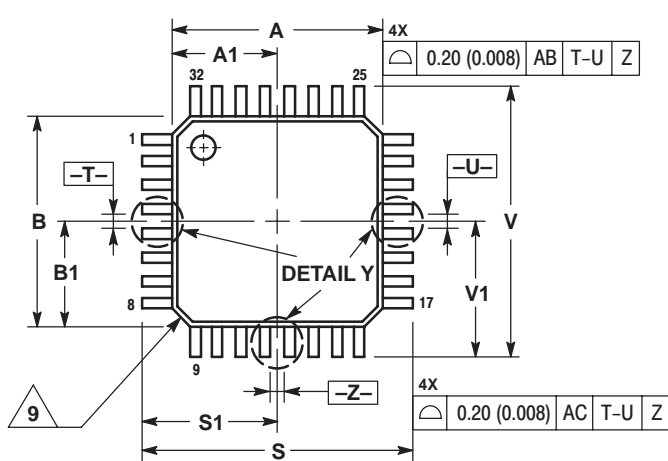


Figure 5. MPC9992 AC test reference

OUTLINE DIMENSIONS

FA SUFFIX
32 LEAD LQFP PACKAGE
CASE 873A-02
ISSUE A



NOTES:

- DIMENSIONING AND TOLERANCING PER ANSI Y14.5M, 1982.
- CONTROLLING DIMENSION: MILLIMETER.
- DATUM PLANE -AB- IS LOCATED AT BOTTOM OF LEAD AND IS COINCIDENT WITH THE LEAD WHERE THE LEAD EXITS THE PLASTIC BODY AT THE BOTTOM OF THE PARTING LINE.
- DATUMS -T-, -U-, AND -Z- TO BE DETERMINED AT DATUM PLANE -AB-.
- DIMENSIONS S AND V TO BE DETERMINED AT SEATING PLANE -AC-.
- DIMENSIONS A AND B DO NOT INCLUDE MOLD PROTRUSION. ALLOWABLE PROTRUSION IS 0.250 (0.010) PER SIDE. DIMENSIONS A AND B DO INCLUDE MOLD MISMATCH AND ARE DETERMINED AT DATUM PLANE -AB-.
- DIMENSION D DOES NOT INCLUDE DAMBAR PROTRUSION. DAMBAR PROTRUSION SHALL NOT CAUSE THE D DIMENSION TO EXCEED 0.520 (0.020).
- MINIMUM SOLDER PLATE THICKNESS SHALL BE 0.0076 (0.0003).
- EXACT SHAPE OF EACH CORNER MAY VARY FROM DEPICTION.

DIM	MILLIMETERS		INCHES	
	MIN	MAX	MIN	MAX
A	7.000	BSC	0.276	BSC
A1	3.500	BSC	0.138	BSC
B	7.000	BSC	0.276	BSC
B1	3.500	BSC	0.138	BSC
C	1.400	1.600	0.055	0.063
D	0.300	0.450	0.012	0.018
E	1.350	1.450	0.053	0.057
F	0.300	0.400	0.012	0.016
G	0.800	BSC	0.031	BSC
H	0.050	0.150	0.002	0.006
J	0.090	0.200	0.004	0.008
K	0.500	0.700	0.020	0.028
M	12°	REF	12°	REF
N	0.090	0.160	0.004	0.006
P	0.400	BSC	0.016	BSC
Q	1°	5°	1°	5°
R	0.150	0.250	0.006	0.010
S	9.000	BSC	0.354	BSC
S1	4.500	BSC	0.177	BSC
V	9.000	BSC	0.354	BSC
V1	4.500	BSC	0.177	BSC
W	0.200	REF	0.008	REF
X	1.000	REF	0.039	REF

MPC9992

NOTES

NOTES

Motorola reserves the right to make changes without further notice to any products herein. Motorola makes no warranty, representation or guarantee regarding the suitability of its products for any particular purpose, nor does Motorola assume any liability arising out of the application or use of any product or circuit, and specifically disclaims any and all liability, including without limitation consequential or incidental damages. "Typical" parameters can and do vary in different applications and actual performance may vary over time. All operating parameters, including "Typicals" must be validated for each customer application by customer's technical experts. Motorola does not convey any license under its patent rights nor the rights of others. Motorola products are not designed, intended, or authorized for use as components in systems intended for surgical implant into the body, or other applications intended to support or sustain life, or for any other application in which the failure of the Motorola product could create a situation where personal injury or death may occur. Should Buyer purchase or use Motorola products for any such unintended or unauthorized application, Buyer shall indemnify and hold Motorola and its officers, employees, subsidiaries, affiliates, and distributors harmless against all claims, costs, damages, and expenses, and reasonable attorney fees arising out of, directly or indirectly, any claim of personal injury or death associated with such unintended or unauthorized use, even if such claim alleges that Motorola was negligent regarding the design or manufacture of the part. Motorola and the Stylized M Logo are registered trademarks of Motorola, Inc. Motorola, Inc. is an Equal Opportunity/Affirmative Action Employer.

MOTOROLA and the Stylized M Logo are registered in the US Patent & Trademark Office. All other product or service names are the property of their respective owners.

© Motorola, Inc. 2001.

How to reach us:

USA/EUROPE/Locations Not Listed: Motorola Literature Distribution; P.O. Box 5405, Denver, Colorado 80217. 1-303-675-2140 or 1-800-441-2447

JAPAN: Motorola Japan Ltd.; SPS, Technical Information Center, 3-20-1, Minami-Azabu. Minato-ku, Tokyo 106-8573 Japan. 81-3-3440-3569

ASIA/PACIFIC: Motorola Semiconductors H.K. Ltd.; Silicon Harbour Centre, 2 Dai King Street, Tai Po Industrial Estate, Tai Po, N.T., Hong Kong. 852-26668334

Technical Information Center: 1-800-521-6274

HOME PAGE: <http://www.motorola.com/semiconductors/>