

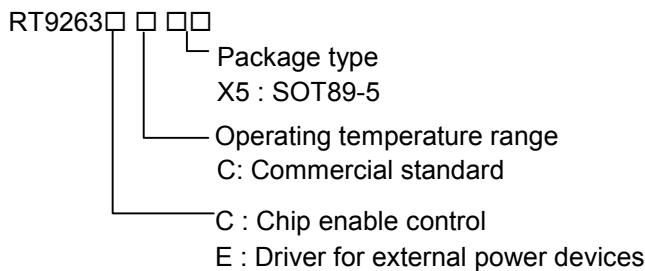
High Efficiency, Low Supply Current, Step-up DC/DC Converter

General Description

The RT9263 is a compact, high efficient, step-up DC/DC converter with an adaptive current mode PWM control loop, providing a stable and high efficient operation over a wide range of load currents. It operates in both continuous and discontinuous current modes in stable waveforms without external compensation.

The low start-up input voltage below 1V makes RT9263 suitable for 1 to 4 battery cell applications providing up to 400mA output current. The 550KHz high switching rate minimized the size of external components. Besides, the 17 μ A low quiescent current together with high efficiency maintains long battery lifetime.

Ordering Information



Typical Application Circuit

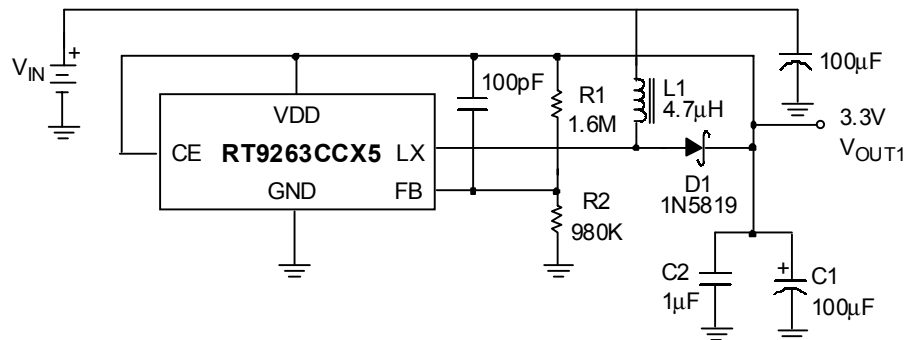


Fig. 1 RT9263CCX5 Typical Application for Portable Instruments below 400mA

Features

- 1.0V Low Start-up Input Voltage
- High Supply Capability to Deliver 3.3V 100mA with 1V Input Voltage
- 17 μ A Quiescent (Switch-off) Supply Current
- 90% Efficiency
- 550KHz Fixed Switching Rate
- Providing Flexibility for Using Internal and External Power Switches
- SOT89-5 Package

Applications

- PDA
- Portable Instrument
- DSC

Pin Configurations

Part Number	Pin Configurations
RT9263CCX5 (Plastic SOT89-5)	<p>TOP VIEW</p> <p>1. CE 2. VDD 3. FB 4. LX 5. GND</p>
RT9263ECX5 (Plastic SOT89-5)	<p>TOP VIEW</p> <p>1. EXT 2. VDD 3. FB 4. LX 5. GND</p>

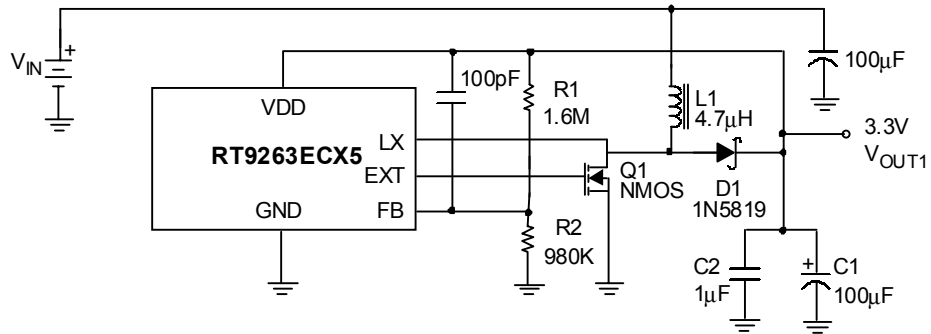


Fig. 2 0.4A ~ 1A Output Current Application

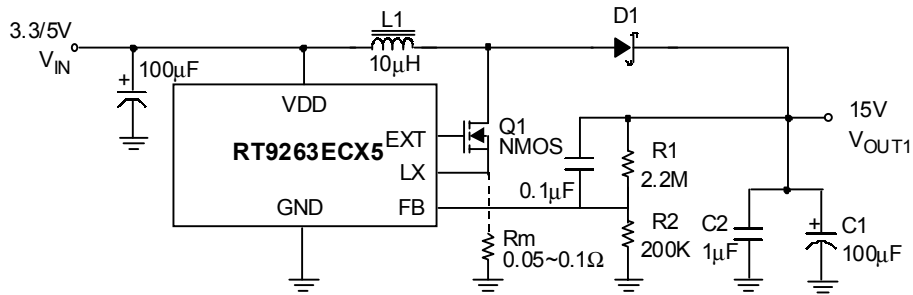


Fig. 3 High Voltage Application (Rm should be added when IL > 100mA)

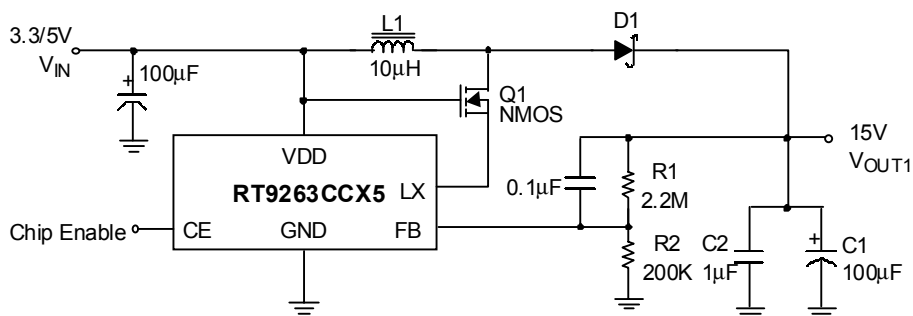
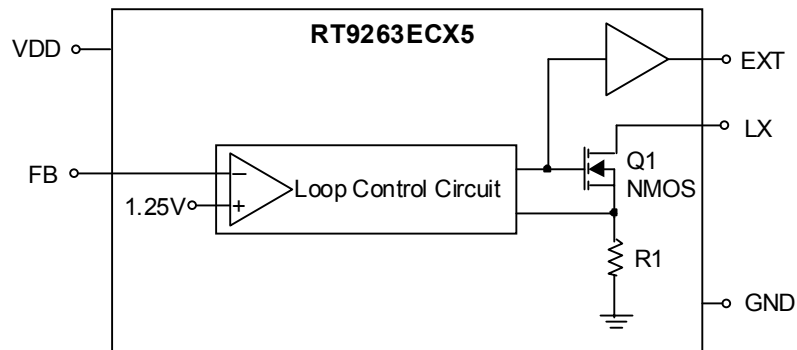
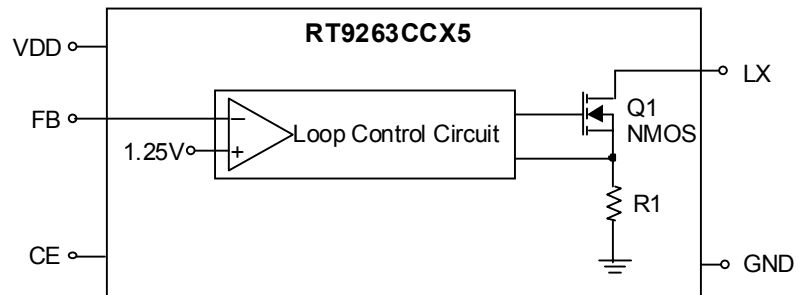


Fig. 4 High Voltage Application with Shutdown Control

Function Block Diagram



Pin Description

Pin No.		Pin Name	Pin Function
RT9263CCX5	RT9263ECX5		
--	1	EXT	Output pin for driving external NMOS or NPN When driving an NPN, a resistor should be added for limiting base
1	--	CE	Chip enable RT9263CCX5 gets into shutdown mode when CE pin set to low.
2	2	VDD	Input positive power pin of RT9263
3	3	FB	Feedback input pin Internal reference voltage for the error amplifier is 1.25V.
4	4	LX	Pin for switching
5	5	GND	Ground

Absolute Maximum Ratings

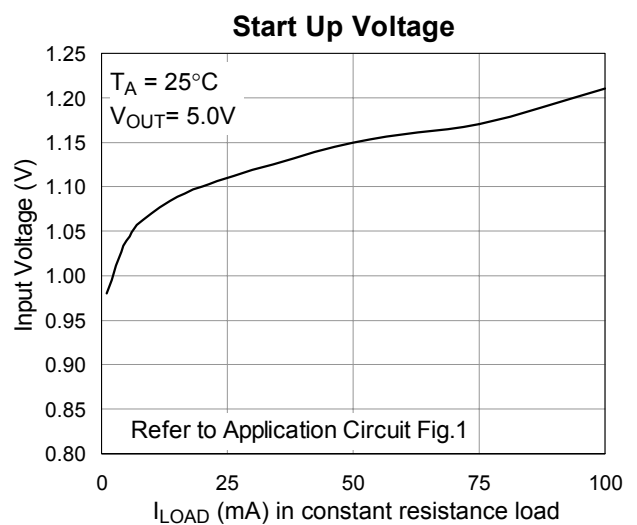
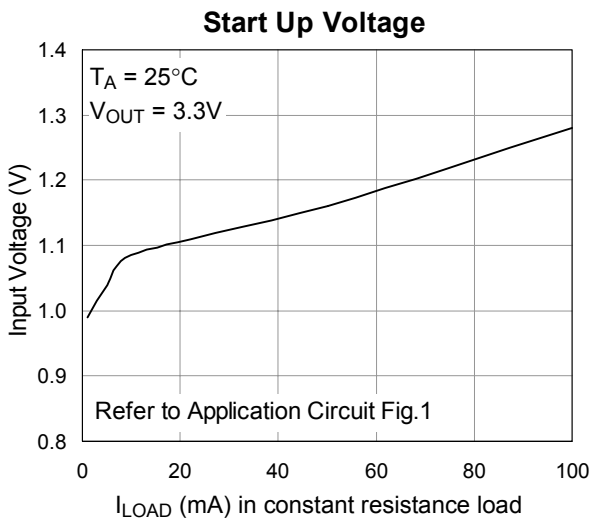
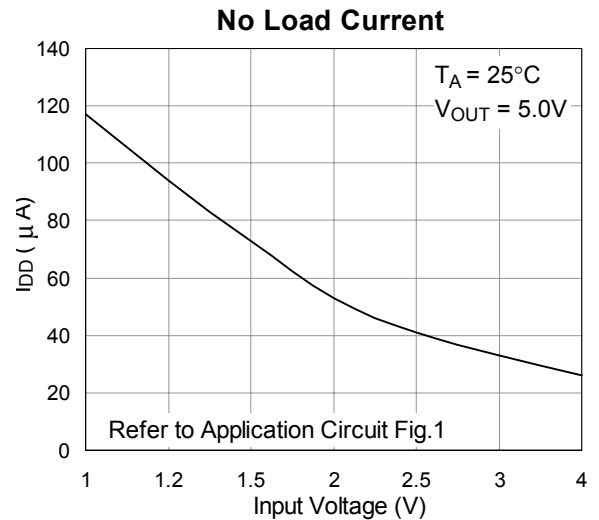
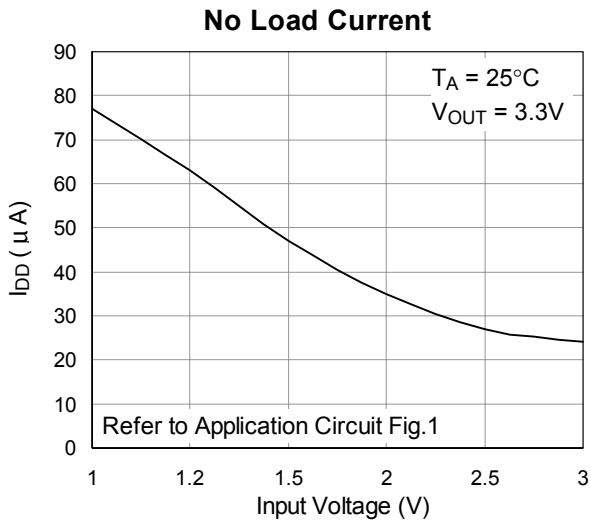
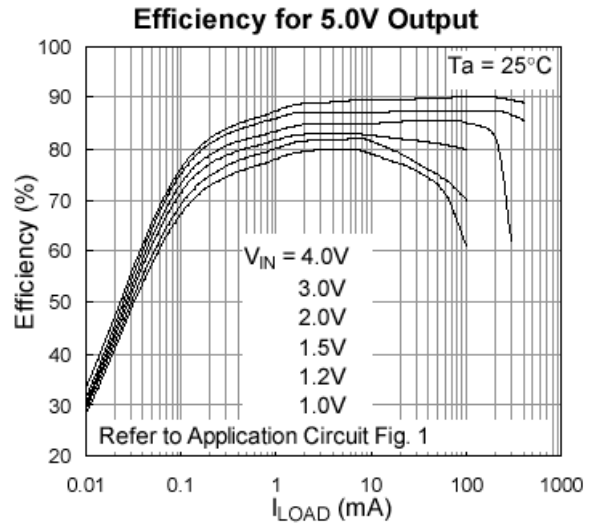
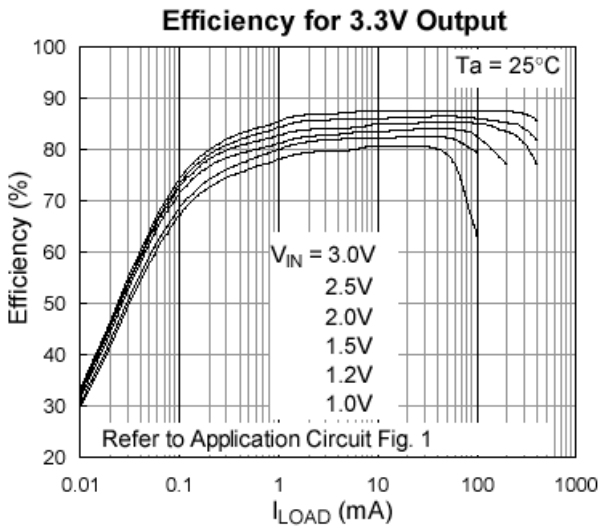
- Supply Voltage..... -0.3V to 6V
- LX Pin Switch Voltage -0.3V to (VDD + 0.8V)
- Other I/O Pin Voltages -0.3V to (VDD + 0.3V)
- LX Pin Switch Current 2.5A
- EXT Pin Driver Current 30mA
- Power Dissipation, P_D @ T_A = 25°C
- SOT89-5..... 0.5W
- Package Thermal Resistance
- SOT89-5, θ_{JA} 300°C/W
- Operating Junction Temperature 150°C
- Storage Temperature Range..... -65°C ~ +150°C

Electrical Characteristics

 ($V_{IN} = 1.5V$, V_{DD} set to $3.3V$, Load Current = 0 , $T_A = 25^{\circ}C$, unless otherwise specified)

Parameter	Symbol	Test Conditions	Min	Typ	Max	Units
Start-UP Voltage	V_{ST}	$I_L = 1mA$	--	0.98	1.05	V
Operating VDD Range	V_{DD}	Start-up to $I_{DD1} > 250\mu A$	0.8	--	6	V
No Load Current I (V_{IN})	$I_{NO\ LOAD}$	$V_{IN} = 1.5V$, $V_{OUT} = 3.3V$	--	47	--	μA
Switch-off Current I (V_{DD})	$I_{SWITCH\ OFF}$	$V_{IN} = 6V$	--	17	--	μA
Shutdown Current I (V_{IN})	I_{OFF}	CE Pin = $0V$, $V_{IN} = 4.5V$	--	0.1	1	μA
Feedback Reference Voltage	V_{REF}	Close Loop, $V_{DD} = 3.3V$	1.225	1.25	1.275	V
Switching Rate	F_S	$V_{DD} = 3.3V$	--	550	--	KHz
Maximum Duty	D_{MAX}	$V_{DD} = 3.3V$	--	92	--	%
LX ON Resistance		$V_{DD} = 3.3V$	--	0.25	--	Ω
Current Limit Setting	I_{LIMIT}	$V_{DD} = 3.3V$	--	2	--	A
EXT ON Resistance to VDD		$V_{DD} = 3.3V$	--	40	--	Ω
EXT ON Resistance to GND		$V_{DD} = 3.3V$	--	30	--	Ω
Line Regulation	ΔV_{LINE}	$V_{IN} = 1.5 \sim 2.5V$, $I_L = 1mA$	--	10	--	mV/V
Load Regulation	ΔV_{LOAD}	$V_{IN} = 2.5V$, $I_L = 1 \sim 100mA$	--	0.25	--	mV/mA
CE Pin Trip Level		$V_{DD} = 3.3V$	0.2	0.8	1.4	V
Temperature Stability for FB, LFB, LBI	T_S	Guaranteed by Design	--	50	--	ppm/ $^{\circ}C$
Thermal Shutdown	T_{SD}	Guaranteed by Design	--	165	--	$^{\circ}C$
Thermal Shutdown Hysterises	ΔT_{SD}	Guaranteed by Design	--	10	--	$^{\circ}C$

Typical Operating Charateristics



Application Note

Output Voltage Setting

Referring to application circuits Fig.1 to Fig.4, the output voltage of the switching regulator (V_{OUT1}) can be set with Eq.1.

$$V_{OUT1} = \left(1 + \frac{R1}{R2}\right) \times 1.25V \quad \text{Eq.1}$$

Feedback Loop Design

Referring to application circuits Fig.1 to Fig.4, The selection of R1 and R2 based on the trade-off between quiescent current consumption and interference immunity is stated below:

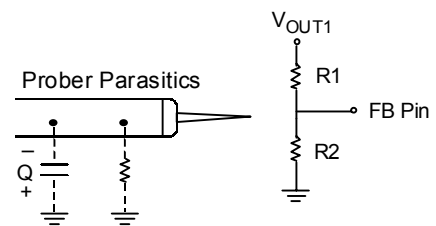
- Follow Eq.1
- Higher R reduces the quiescent current (Path current = $1.25V/R2$), however resistors beyond $5M\Omega$ are not recommended.
- Lower R gives better noise immunity, and is less sensitive to interference, layout parasitics, FB node leakage, and improper probing to FB pins.
- A proper value of feed forward capacitor parallel with R1 on Fig.1 to Fig.4 can improve the noise immunity of the feedback loops, especially in an improper layout. An empirical suggestion is around $100pF \sim 1nF$ for feedback resistors of $M\Omega$, and $10nF \sim 0.1\mu F$ for feedback resistors of tens to hundreds $K\Omega$.

For applications without standby or suspend modes, lower values of R1, and R2 are preferred. For applications concerning the current consumption in standby or suspend modes, the higher values of R1, and R2 are needed. Such “high impedance feedback loops” are sensitive to any interference, which require careful layout and avoid any interference, e.g. probing to FB pins.

PRECAUTION 1: Improper probing to FB pin will cause fluctuation at V_{OUT1} . It may damage RT9263 and system chips because V_{OUT1} may drastically rise to an over-rated level due to unexpected interference or parasitics being added to FB pin.

PRECAUTION 2: Disconnecting R1 or short circuit across R2 may also cause similar IC damage as described in precaution 1.

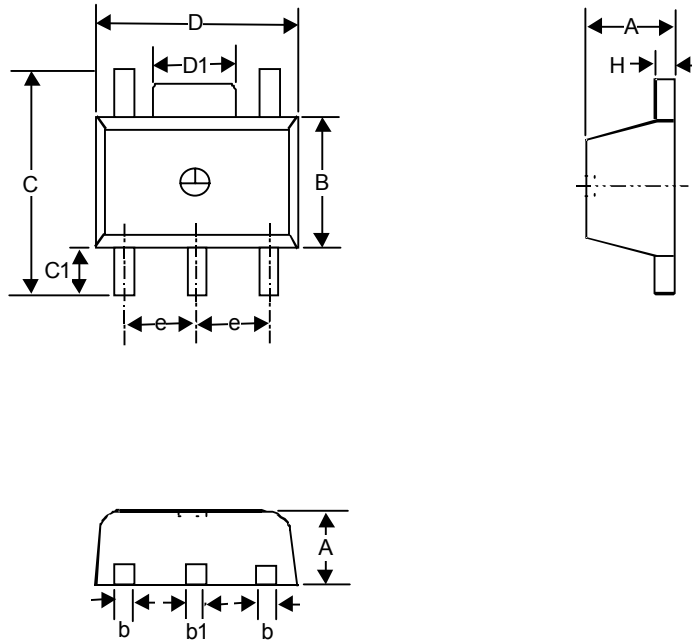
PRECAUTION 3: When large R values were used in feedback loops, any leakage in FB node may also cause V_{OUT1} voltage fluctuation, and IC damage. To be especially highlight here is when the air moisture frozen and re-melt on the circuit board may cause several μA leakage between IC or component pins. So, when large R values are used in feedback loops, post coating, or some other moisture-preventing processes are recommended.



Layout Guide

- A full GND plane without gap break.
- V_{OUT1} to GND noise bypass – Short and wide connection for C2 to Pin2 and Pin5.
- V_{IN} to GND noise bypass – Add a $100\mu F$ capacitor close to L1 inductor, when V_{IN} is not an idea voltage source.
- Minimized FB node copper area and keep far away from noise sources.
- Minimized parasitic capacitance connecting to LX and EXT nodes, which may cause additional switching loss.

Package Information



Symbol	Dimensions In Millimeters		Dimensions In Inches	
	Min	Max	Min	Max
A	1.400	1.600	0.055	0.063
b	0.360	0.520	0.014	0.020
B	2.400	2.600	0.094	0.102
b1	0.406	0.533	0.016	0.021
C	--	4.250	--	0.167
C1	0.800	--	0.031	--
D	4.400	4.600	0.173	0.181
D1	--	1.700	--	0.067
e	1.400	1.600	0.055	0.063
H	0.380	0.430	0.014	0.017

5-Lead SOT-89 Surface Mount

RICHTEK TECHNOLOGY CORP.

Headquarter

6F, No. 35, Hsintai Road, Chupei City

Hsinchu, Taiwan, R.O.C.

Tel: (8863)5510047 Fax: (8863)5537749

RICHTEK TECHNOLOGY CORP.

Taipei Office (Marketing)

8F-1, No. 137, Lane 235, Paochiao Road, Hsintien City

Taipei County, Taiwan, R.O.C.

Tel: (8862)89191466 Fax: (8862)89191465

Email: marketing@richtek-ic.com.tw