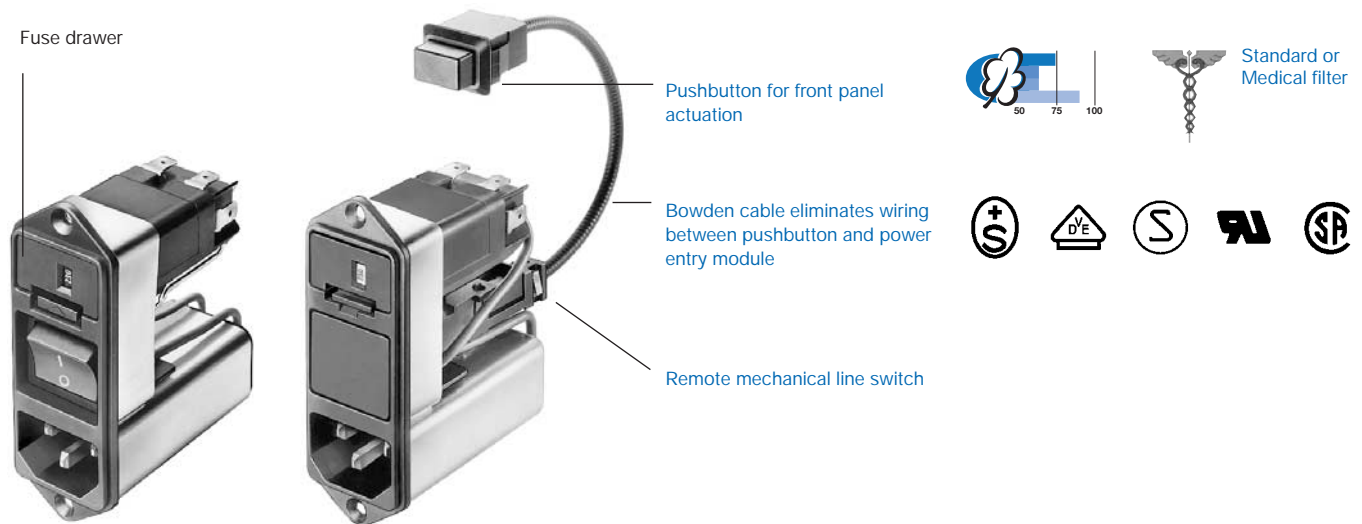


**Power entry modules
Types CD, CD-Bowdencable**

- Panel mount: screw-on version, front-side
- 5 functions: appliance inlet, line switch or line switch for Bowdencable actuation, fuseholder with interchangeable fuse drawer for 5 x 20 or 6,3 x 32 mm fuses, with or without voltage selector (step switch), line filter



Characteristics

- All single elements are already wired
- The fuse drawer "Fingergrip" can be removed by hand
- For added safety "Extra-Safe" fuse drawers are available. Extra-safe fuse drawers satisfy international standards for medical equipment. The drawer can only be removed with the aid of a tool
- The fuseholder is accessible from the equipment front
- Available with or without voltage selector
- Qualified for use in equipment according to IEC/EN 60950

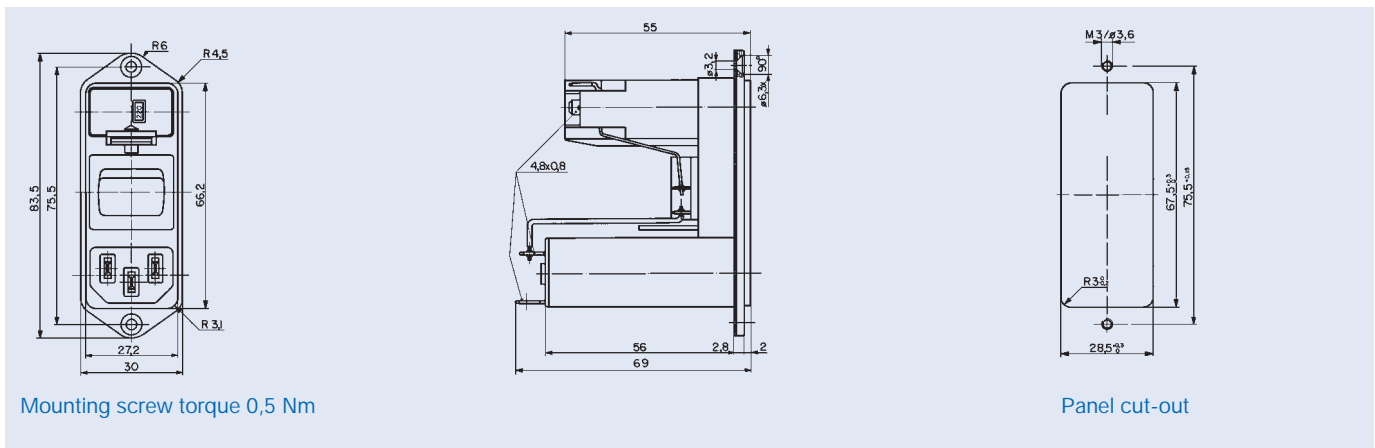
Technical data

Rated voltage	125/250 VAC; 50/60 Hz
Rated currents	Type CD Type CD- Bowdencable
	1–10 A; @T _a 40 °C 1–6 A; @T _a 40 °C; SEV, VDE, Semko 1–6 A / 250 VAC; @T _a 40 °C; UL, CSA 1–8 A / 125 VAC; @T _a 40 °C; UL, CSA
Leakage current, Standard Medical	< 0,5 mA (250 V/60 Hz) < 5 µA (250 V/60 Hz)
Test voltage (2 sec)	1,7 kVDC between L-N 2,7 kVDC between L/N-PE
Allowable ambient air temperatures T _a	–25 °C to +85 °C
Climatic category	25/085/21 acc. to IEC/EN 60068-1
Degree of protection (front-side)	IP40 acc. to IEC 60529
Protection class	suitable for equipment with prot. cl. I, acc. to IEC 61140
Terminals	quick-connect 4,8 x 0,8 mm
Panel thickness s	max. 8 mm
Materials: Housing	Thermoplastic, black, UL94 V–0

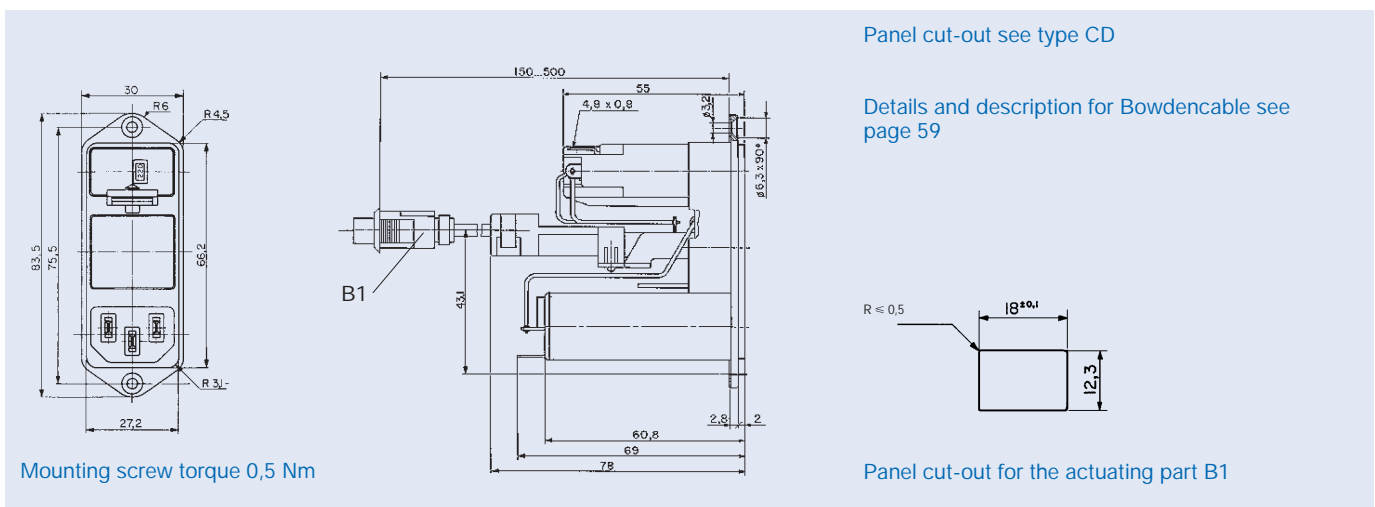
Technical data

Appliance-inlet		acc. to IEC/EN 60320-1/C14, Protection class I, pin-temperature 70 °C (cold condition)
Fuseholder		1- or 2-pole, shocksafe category PC2 acc. to IEC/EN 60127-6 for fuse-links 5 x 20 or 6,3 x 32 mm
Rated power acceptance at ambient air temp. T _a 23 °C		5 x 20: 2,5 W (1-pole)/2 W (2-pole) per pole 6,3 x 32: 3,15 W (1-pole)/2,5 W (2-pole) per pole
Admissible power acceptance at higher T _a		see derating curves. Take note of the information on page 197
Line switch (Rocker switch)		2-pole, non-illuminated acc. to IEC/EN 61058-1
Line switch for Bowdencable		2-pole, non illuminated Technical details see page 201
Voltage selector		optional, step switch, 2-4 positions
Line filter, standard and medical		acc. to IEC 60939, EN 133 200, UL 1283, CSA C 22.2 no. 8 Technical details see page 202

Dimensions type CD

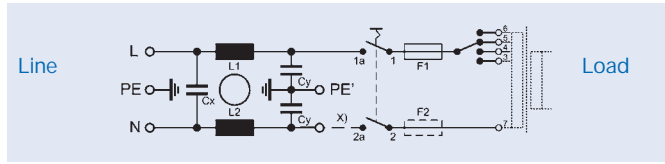


Dimensions type CD Bowdencable

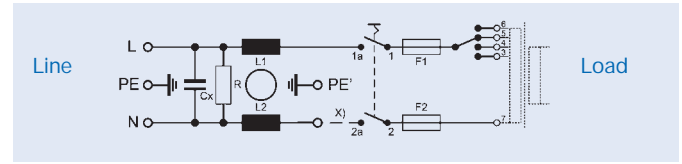


Diagrams

Standard version
with voltage selector



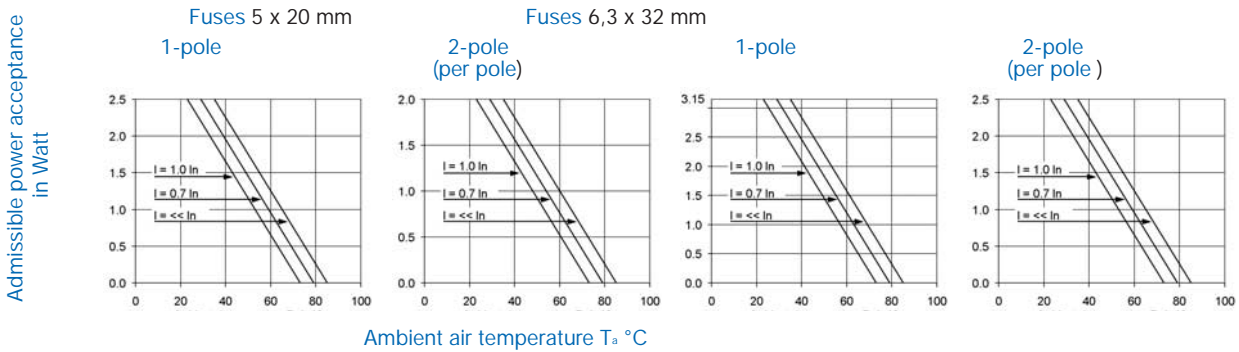
Medical version
with voltage selector



Technical data of filter-components

Rated current Nennstrom (A)	Filter-Type	Inductance L1/L2 (mH)	Capacitance		R (MΩ)
			CX (nF)	CY (nF)	
1	Standard	2 x 10	68	2 x 2,2	-
2		2 x 4			
4		2 x 1,5			
6		2 x 0,8			
10		2 x 0,3			
1	Medical	2 x 10	68	-	1
2		2 x 4			
4		2 x 1,5			
6		2 x 0,8			
10		2 x 0,3			

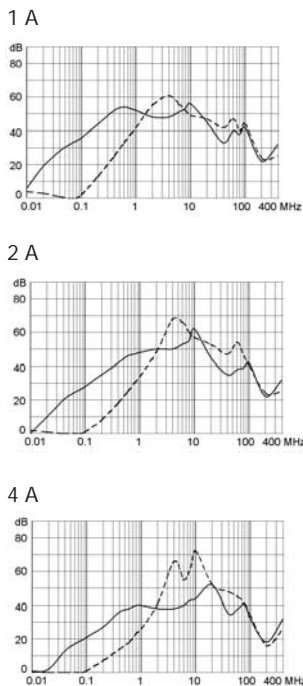
Derating curves for fuseholder



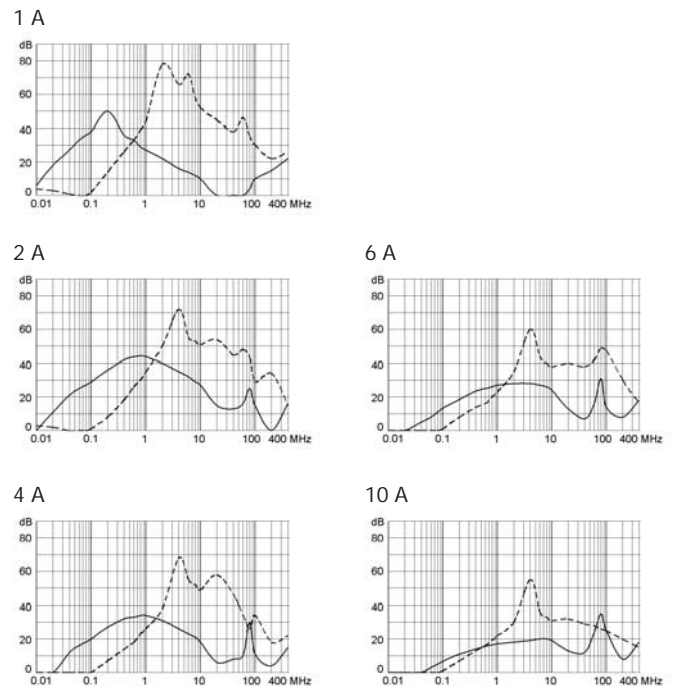
Attenuation loss

Standard version

differential mode
common mode _____



Medical version



Order Numbers to type CD for socket
 Fuse drawer must be ordered separately. Order nos see page 55

Type	Order no	Rated current	Filter-Type	Line switch	Fuseholder	Voltage selector	
						without	with max. 4 pos.
CD	CD11.1501.151	1 A	Standard	2-pole	1-pole	•	
	CD21.1501.151	2 A					
	CD31.1501.151	4 A					
	CD41.1501.151	6 A					
	CD61.1501.151	10 A					
	CD14.1101.151	1 A	Standard	2-pole	2-pole	•	
	CD24.1101.151	2 A					
	CD34.1101.151	4 A					
	CD44.1101.151	6 A					
	CD64.1101.151	10 A					
	CD11.4501.151	1 A	Standard	2-pole	1-pole		•
	CD21.4501.151	2 A					
	CD31.4501.151	4 A					
	CD41.4501.151	6 A					
	CD61.4501.151	10 A					
	CD14.4101.151	1 A	Standard	2-pole	2-pole		•
CD24.4101.151	2 A						
CD34.4101.151	4 A						
CD44.4101.151	6 A						
CD64.4101.151	10 A						
CDG4.4101.151	1 A	Medical	2-pole	2-pole		•	
CDA4.4101.151	2 A						
CDC4.4101.151	4 A						
CDE4.4101.151	6 A						
CDL4.4101.151	10 A						

Order Numbers to type CD Bowdencable: for socket
 Fuse drawer and Bowdencable must be ordered separately.
 Order nos see page 55 (fuse drawer) and 59 (Bowdencable)

Type	Order no.	Rated current	Filter-Type	Line switch for Bowdencable	Fuseholder	Voltage selector	
						without	with max. 4 pos.
CD Bowden- cable	CD11.4599.151	1 A	Standard	2-pole	1-pole		•
	CD21.4599.151	2 A					
	CD31.4599.151	4 A					
	CD41.4599.151	6 A					
	CD14.4199.151	1 A	Standard	2-pole	2-pole		•
	CD24.4199.151	2 A					
	CD34.4199.151	4 A					
	CD44.4199.151	6 A					
	CDG4.4199.151	1 A	Medical	2-pole	2-pole		•
	CDA4.4199.151	2 A					
	CDC4.4199.151	4 A					
	CDE4.4199.151	6 A					

Accessories see page 171