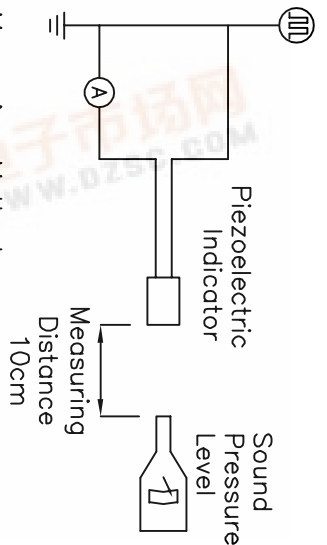


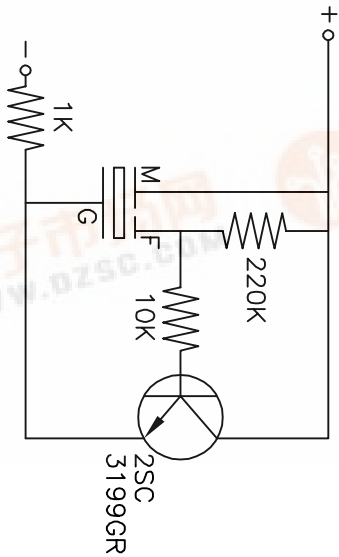
Test Condition: Temp=25°C±2°C Relative Humidity=65±5%

No.	Item	Specification
1	Resonant Frequency	3.2 ± 0.5 KHZ
2	Operating Volt. Range	3-28 VDC
3	Current Consumption	Max 7 mA at 12VDC
4	Sound Pressure Level	Min 74 dB at 30cm/12VDC
5	Rated Voltage	12 VDC
6	Operation Temp.	-30~+85°C
7	Storage Temp.	-40~+95°C
8	Dimension	∅24.0 x H10.0 mm
9	Weight	3.0 grams
10	Material	ABS UL-94 1/16"HB HIGH HEAT (BLACK)
11	Terminal	Pin Type



Measuring Method
S.P.L. Measuring Circuit
Mic: RION S.P.L. meter UC30 or equivalent

Recommended Driving Circuit for measuring current consumption and sound pressure level.



CUI INC
9615 SW Allen, Suite 103
Beaverton, OR 97005
Phone: (503) 643-4899
800-275-4899
Fax: (503) 372-1266
Website: www.cui.com

TITLE: Piezo Audio Transducer

PART NO: CEP-1123 UNITS: Millimeters

DRAWN BY: Todd White APPROVED BY: [Signature]

Tolerance: ±0.5

PC FILE NAME: cep-1123.dwg

COPYRIGHT 2001 BY CUI INC.

