

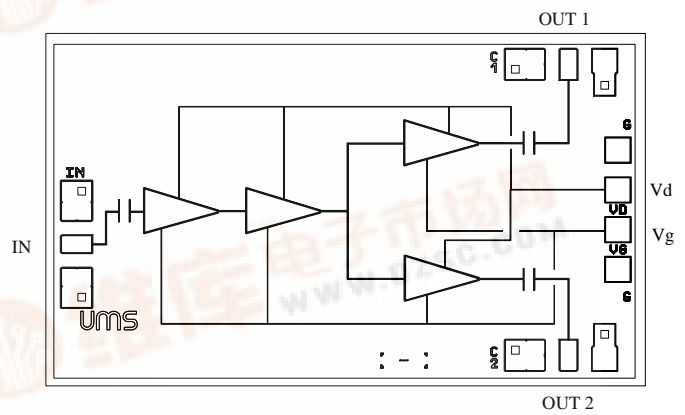
## 9- 19GHz Buffer Splitter Amplifier

### GaAs Monolithic Microwave IC

#### Description

The CHA2296 is a broadband buffer splitter three-stage monolithic amplifier. It is designed for a wide range of applications, from military to commercial communication systems. The backside of the chip is both RF and DC grounds. This helps simplify the assembly process.

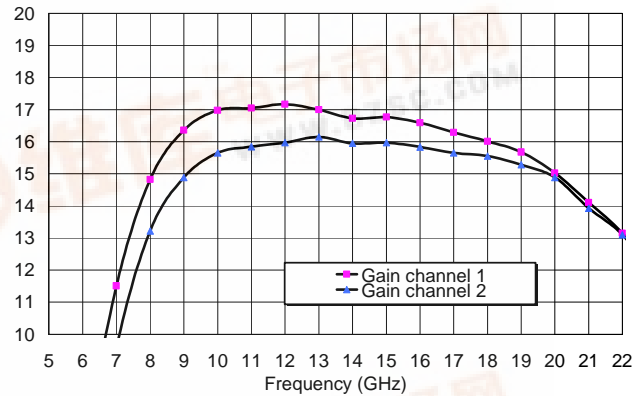
The circuit is manufactured with a PM-HEMT process, 0.25µm gate length, via holes through the substrate, air bridges and electron beam gate lithography. It is available in chip form.



#### Main Features

- Broadband performance : 9-19GHz
- 14dBm saturated output power.
- 16dB ±1.5dB gain
- Very good broadband matching
- Low DC power consumption, 190mA @ 3.5V
- Chip size : 2.26 X 1.33 X 0.10 mm

Typical on wafer measurements : Gain (dB)



#### Main Characteristics

Tamb. = 25°C

Symbol	Parameter	Min	Typ	Max	Unit
Fop	Operating frequency range	9		19	GHz
G	Small signal gain	13	16		dB
Psat	Saturated Output power	12	14		dBm
Id_small signal	Bias current		190	250	mA

ESD Protection : Electrostatic discharge sensitive device. Observe handling precautions !



## Electrical Characteristics for Broadband Operation

Tamb = +25°C, Vd = 3.5V Vg tuned for Id=190mA

Symbol	Parameter	Min	Typ	Max	Unit
Fop	Operating frequency range (1)	9		19	GHz
G	Small signal gain (1)	13	16		dB
ΔG	Small signal gain flatness (1)		±1.5		dB
Is	Reverse isolation (1)		60		dB
Ic	Isolation between channels (1)		20		dB
Psat	Saturated output power (1)	12	14		dBm
VSWRin	Input VSWR (1)			2.0:1	
VSWRout	Output VSWR (1)			2.0:1	
Id_small signal	Bias current		190	250	mA

(1) These values are representative for on-wafer measurements that are made without bonding wires at the RF ports.

## Absolute Maximum Ratings

Tamb. = 25°C (1)

Symbol	Parameter	Values	Unit
Vds	Drain bias voltage_small signal	4.0	V
Ids	Drain bias current_small signal	300	mA
Vgs	Gate bias voltage	-2 to +0.4	V
Vdg	Negative Drain Gate voltage (= Vds – Vgs)	+5	V
Pin	Maximum peak input power overdrive (2)	+15	dBm
Ta	Operating temperature range	-40 to +85	°C
Tstg	Storage temperature range	-55 to +155	°C

(1) Operation of this device above anyone of these parameters may cause permanent damage.

(2) Duration < 1s.

**Typical Scattering Parameters ( On wafer Sij measurements )**

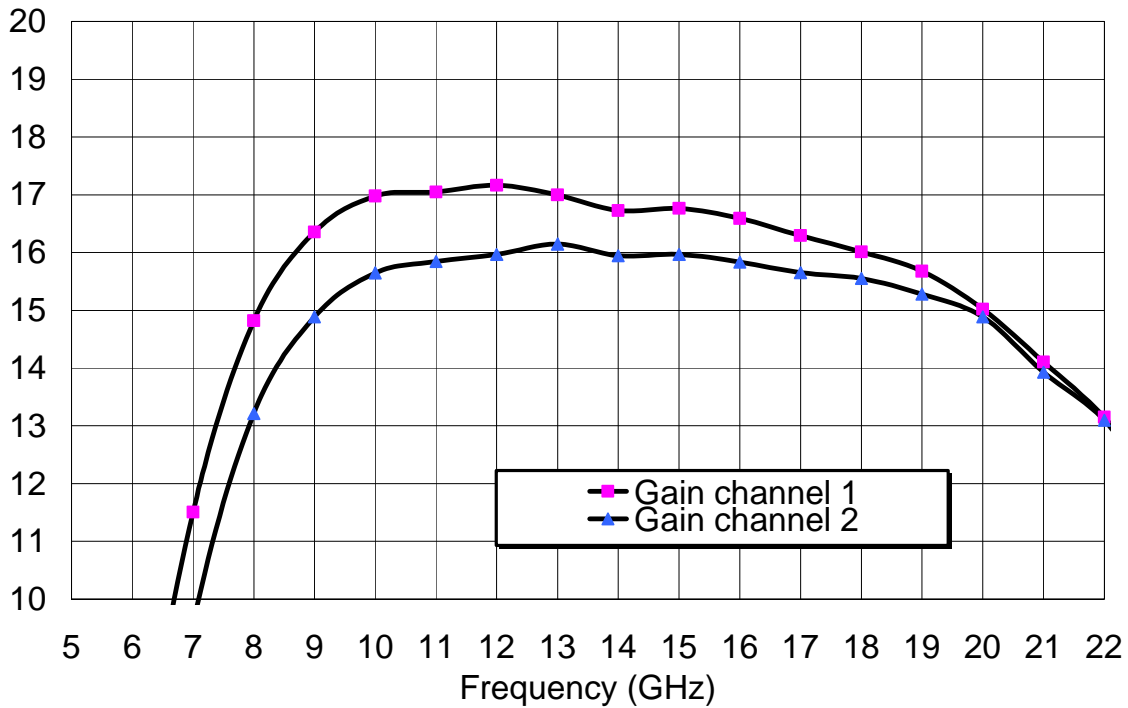
Bias Conditions : Vd = 3.5 Volt, Vg tuned for Id = 190 mA.

Channel	Freq. GHz	S11 dB	S11 /°	S12 dB	S12 /°	S21 dB	S21 /°	S22 dB	S22 /°
1	5	-12.34	-94.87	-66.94	-38.90	-2.14	41.09	-2.04	-88.40
1	6	-15.29	-102.89	-67.83	-87.89	5.84	-11.01	-3.64	-108.79
1	7	-17.46	-97.03	-66.67	-87.44	11.51	-68.31	-5.95	-127.83
1	8	-17.44	-90.47	-66.06	-140.51	14.82	-125.78	-8.74	-143.37
1	9	-16.63	-91.57	-67.50	-123.38	16.36	-177.87	-11.67	-156.13
1	10	-16.30	-97.50	-67.33	175.31	16.98	136.79	-15.00	-167.18
1	11	-16.41	-103.81	-65.23	-177.40	17.05	97.30	-18.81	-176.53
1	12	-16.72	-107.46	-69.95	145.63	17.17	61.74	-23.94	178.88
1	13	-17.15	-111.72	-66.02	138.93	16.99	27.77	-29.04	-146.27
1	14	-17.10	-110.94	-97.44	-155.97	16.72	-3.82	-31.35	-89.10
1	15	-16.93	-113.66	-70.70	166.71	16.76	-32.72	-28.61	-91.76
1	16	-16.76	-116.42	-63.72	170.65	16.59	-63.33	-22.22	-116.88
1	17	-16.59	-121.64	-70.22	97.77	16.29	-92.58	-21.30	-125.33
1	18	-16.80	-129.92	-64.92	154.63	16.01	-122.60	-19.35	-140.70
1	19	-18.71	-137.93	-66.62	-138.40	15.67	-151.31	-18.99	-154.19
1	20	-21.72	-133.29	-57.46	176.38	15.02	177.95	-17.24	-168.27
1	21	-22.50	-91.29	-60.06	117.94	14.10	148.71	-17.98	178.00
1	22	-18.17	-73.84	-66.35	142.93	13.15	119.32	-17.05	169.87
2	5	-12.32	-94.79	-67.52	-31.29	-4.49	37.49	-2.04	-88.02
2	6	-15.27	-102.90	-69.76	-103.63	3.64	-10.20	-3.61	-108.12
2	7	-17.46	-97.18	-66.21	-90.60	9.59	-65.41	-5.86	-127.23
2	8	-17.39	-90.48	-66.67	-140.90	13.21	-121.94	-8.59	-142.92
2	9	-16.63	-91.64	-66.58	-140.49	14.89	-173.34	-11.49	-155.45
2	10	-16.25	-97.89	-67.04	-155.99	15.65	141.31	-14.45	-167.89
2	11	-16.37	-103.76	-64.61	175.45	15.85	102.63	-18.12	-179.43
2	12	-16.71	-107.93	-65.01	-171.47	15.97	67.05	-22.97	170.53
2	13	-17.09	-111.39	-64.06	151.41	16.15	32.89	-30.44	174.52
2	14	-17.11	-110.96	-65.31	142.93	15.95	1.43	-34.60	-115.92
2	15	-16.84	-113.34	-64.26	156.24	15.97	-28.92	-27.80	-89.11
2	16	-16.78	-116.77	-61.83	107.47	15.84	-58.97	-24.72	-105.11
2	17	-16.51	-121.60	-72.17	144.18	15.65	-87.83	-22.65	-112.92
2	18	-16.82	-129.65	-69.62	130.95	15.55	-117.21	-20.65	-126.05
2	19	-18.61	-138.19	-64.20	168.06	15.28	-147.64	-19.63	-138.57
2	20	-21.50	-132.84	-60.17	135.42	14.89	-178.56	-18.58	-153.24
2	21	-22.46	-92.59	-60.24	126.24	13.93	151.11	-17.39	-164.66
2	22	-18.06	-74.29	-58.18	126.19	13.10	121.08	-16.21	-176.47

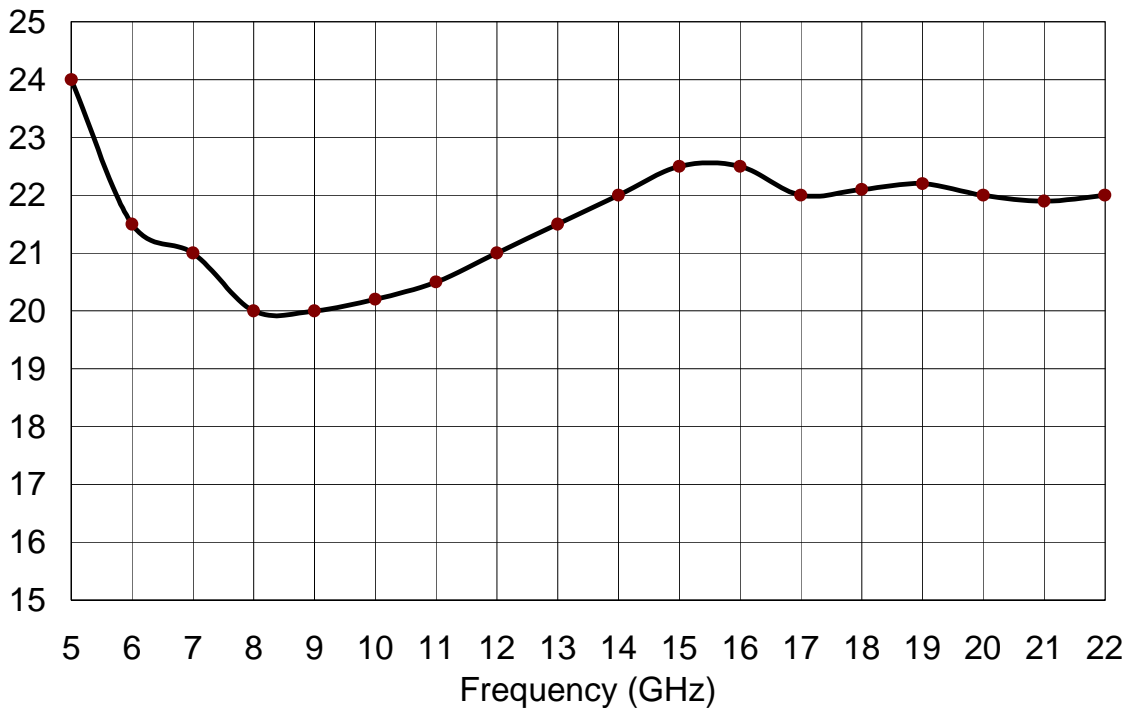
**Typical On wafer Measurements**

Bias Conditions :  $V_d = 3.5$  Volt,  $V_g$  tuned for  $I_d = 190$  mA.

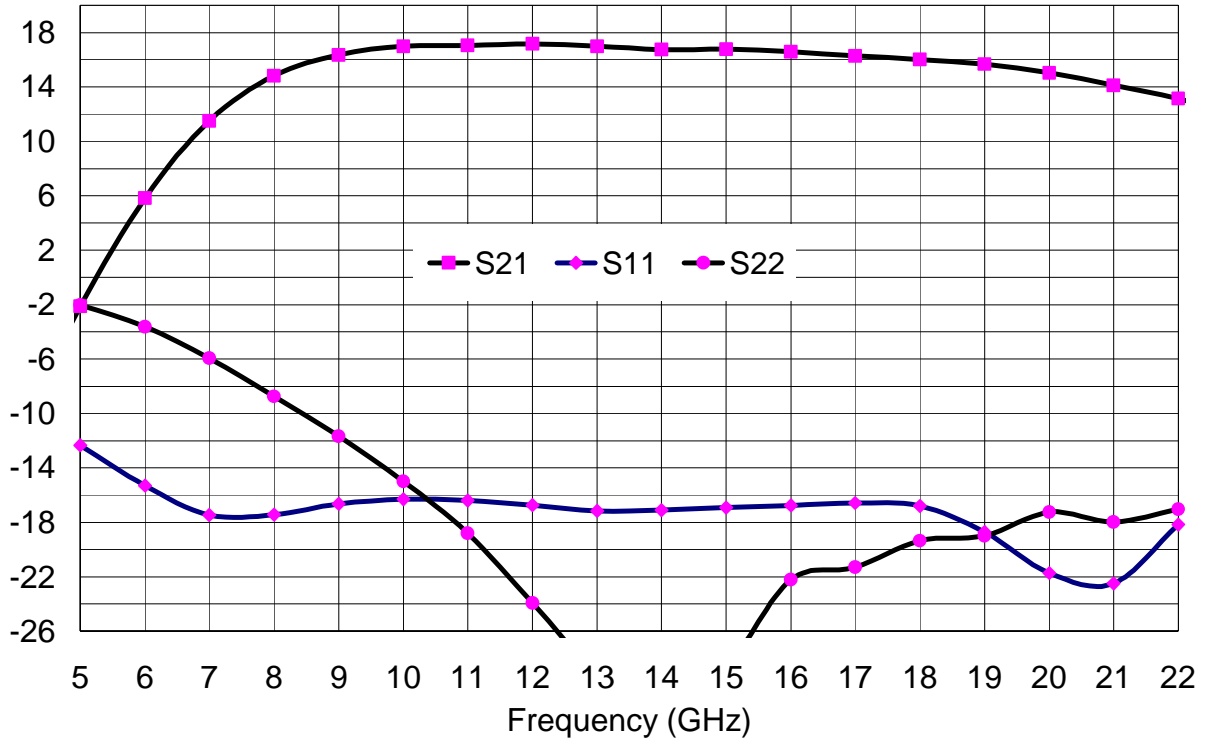
**Gain for each channel versus frequency (dB)**



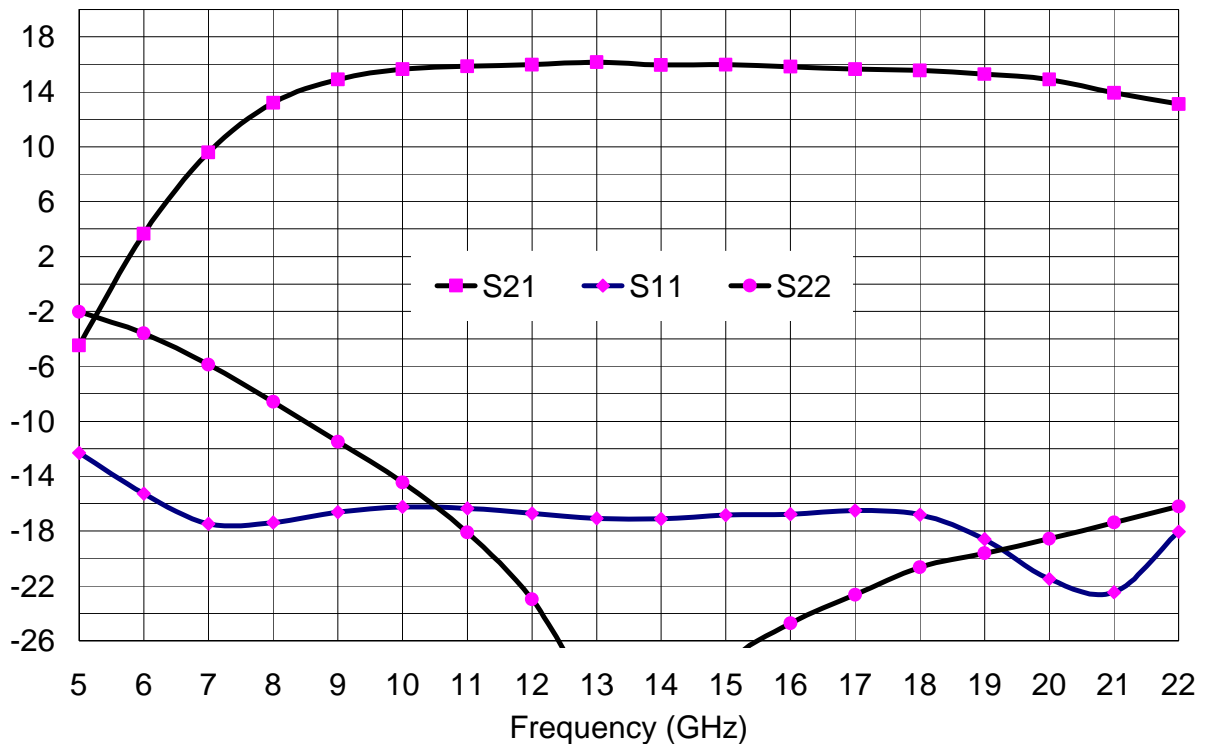
**Isolation between channels versus frequency (dB)**



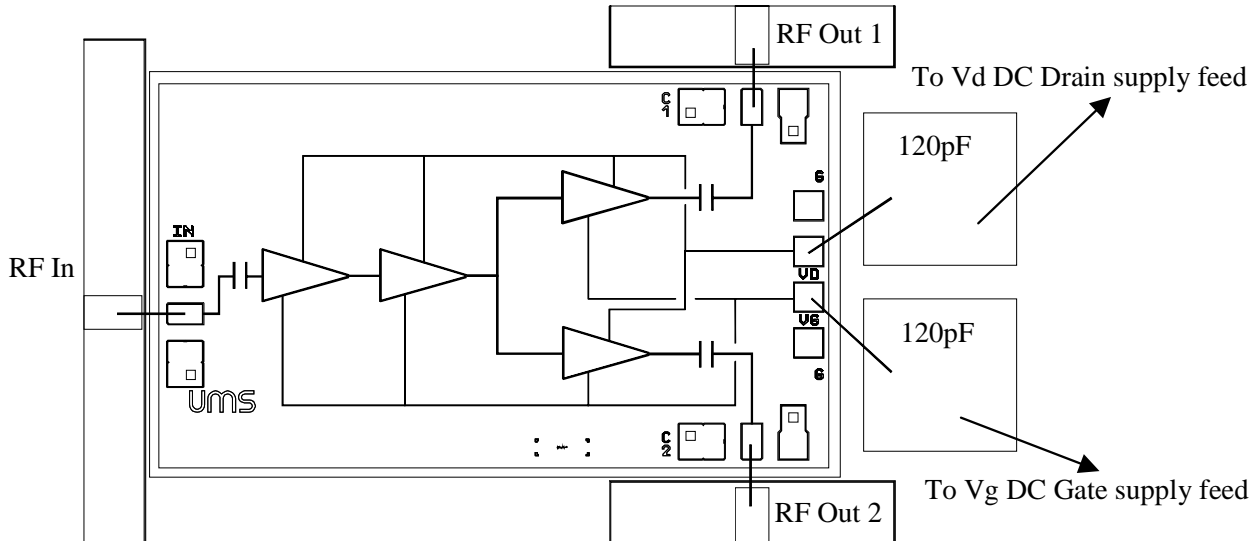
**Gain & Return Loss channel 1 versus frequency (dB)**



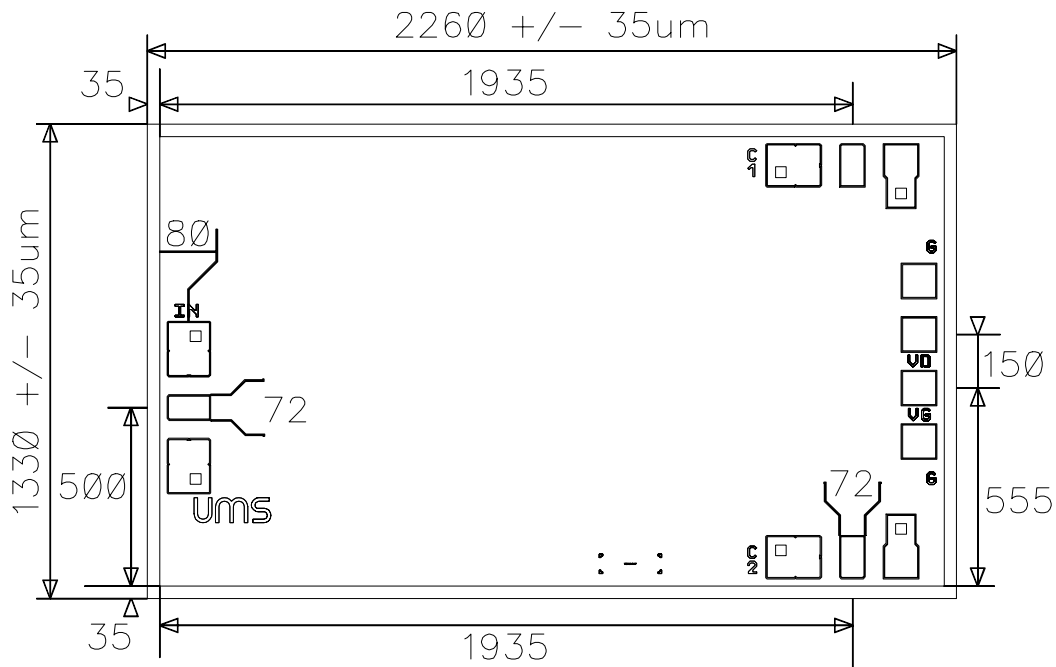
**Gain & Return Loss channel 2 versus frequency (dB)**



**Chip Assembly and Mechanical Data**



Note : Supply feed should be capacitively bypassed. 25µm diameter gold wire is recommended.



**Bonding pad positions.**

( Chip thickness : 100µm. DC pads : 100\*100 µm<sup>2</sup>. All dimensions are in micrometers )

## Ordering Information

Chip form : CHA2296-99F/00

Information furnished is believed to be accurate and reliable. However **United Monolithic Semiconductors S.A.S.** assumes no responsibility for the consequences of use of such information nor for any infringement of patents or other rights of third parties which may result from its use. No license is granted by implication or otherwise under any patent or patent rights of **United Monolithic Semiconductors S.A.S.** Specifications mentioned in this publication are subject to change without notice. This publication supersedes and replaces all information previously supplied. **United Monolithic Semiconductors S.A.S.** products are not authorised for use as critical components in life support devices or systems without express written approval from **United Monolithic Semiconductors S.A.S.**