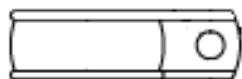


**See "Part Drawing" for Details**



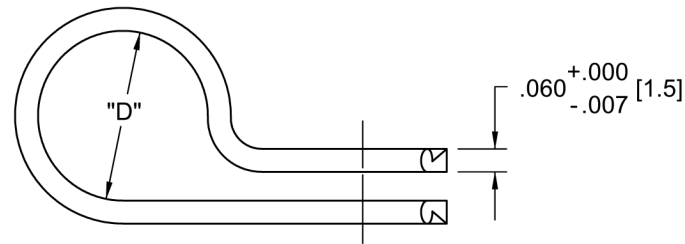
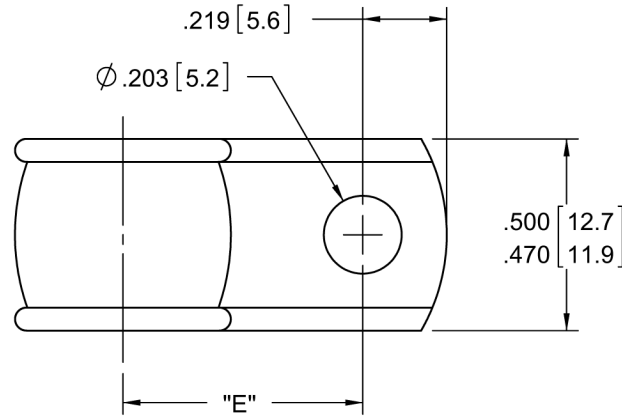
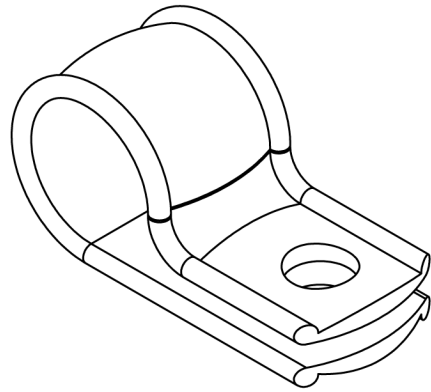
**Part Number**

**Description**

[E2-CL](#)

Clamp, Screw Mnt, Clear, 1/8" Hold





COLOR: CLEAR PART NO.	COLOR: AMBER PART NO.	HOLDING DIA. "D"	"E" REF.
E2-CL	E2-AM	.125 [3.2]	.328 [8.3]
E3-CL	E3-AM	.188 [4.8]	.391 [9.9]
E4-CL	E4-AM	.250 [6.4]	.422 [10.7]
E5-CL	E5-AM	.313 [7.9]	.453 [11.5]
E6-CL	E6-AM	.375 [9.5]	.484 [12.3]
E7-CL	E7-AM	.438 [11.1]	.531 [13.5]
E8-CL	E8-AM	.500 [12.7]	.563 [14.3]
E9-CL	E9-AM	.563 [14.3]	.594 [15]
E10-CL	E10-AM	.625 [15.9]	.625 [15.9]

NOTES:

1. MATERIAL: PROPIONATE (RMS-12)
2. ALTERNATE UNITS FOR REFERENCE ONLY.

TITLE: "E"- CLAMPS			DWG IN IN [MM]		FINAL	
CREATED USING SOLIDWORKS	FILE #: E-CLAMPS	DWN: SK	APP: -	PART #		PRINT TYPE
TOLERANCES UNLESS NOTED .XX=±.020 .XXX=±.015 FRAC.=±1/32 ANG.=±3°	SHEET: 1 OF 1	SHEET SIZE: A	DT: 09/13/07	CHKD: -	SEE TABLE	CA
REV.	DESCRIPTION	ENGR.	DATE	RE: RICHCO, INC.		

G	SEE CO 200098 FOR CHANGES	SK	01/07/08
F	SEE CO 200010 FOR CHANGES	SK	09/18/07
-	SEE ENGINEERING FOR REV A-E	---	-----