

**PRELIMINARY**  
Notice: This is not a final specification.  
Some parametric limits are subject to change.

MITSUBISHI HVIGBT MODULES  
**CM1200HA-66H**

HIGH POWER SWITCHING USE  
INSULATED TYPE

HVIGBT (High Voltage Insulated Gate Bipolar Transistor) Modules

**CM1200HA-66H**



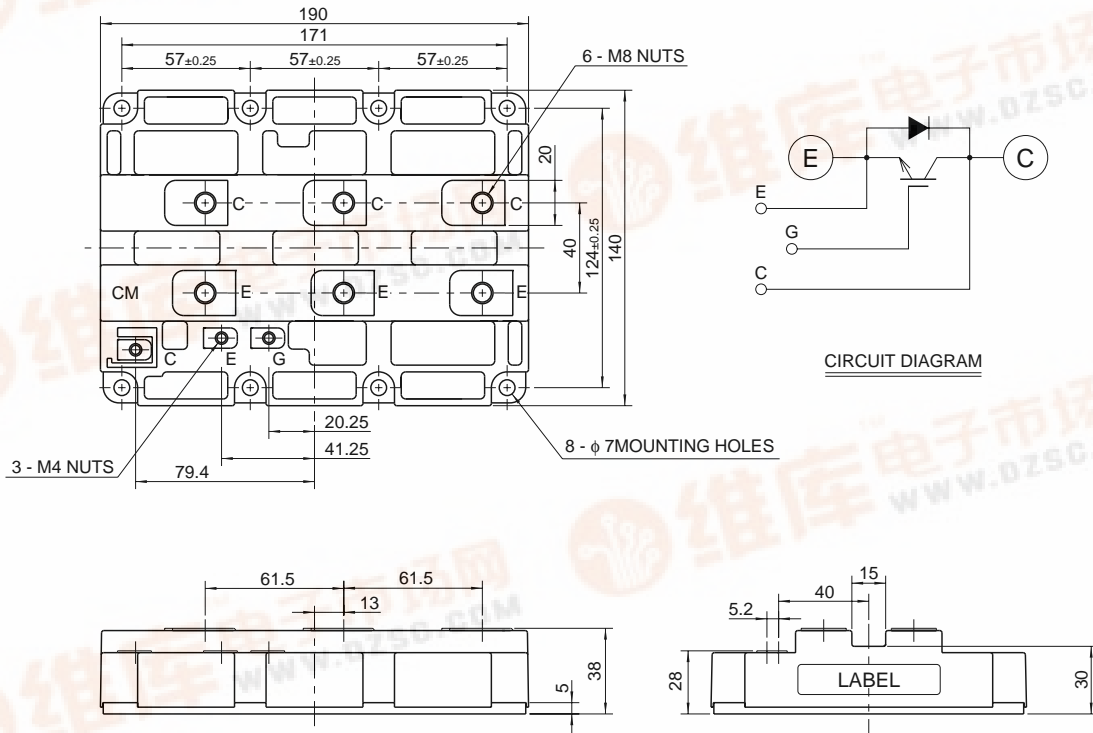
- Ic ..... 1200A
- VCES ..... 3300V
- Insulated Type
- 1-element in a pack

**APPLICATION**

Inverters, Converters, DC choppers, Induction heating, DC to DC converters.

**OUTLINE DRAWING & CIRCUIT DIAGRAM**

Dimensions in mm



**PRELIMINARY**  
 Notice: This is not a final specification.  
 Some parametric limits are subject to change.

MITSUBISHI HVIGBT MODULES

**CM1200HA-66H**

**HIGH POWER SWITCHING USE  
 INSULATED TYPE**

HVIGBT (High Voltage Insulated Gate Bipolar Transistor) Modules

**MAXIMUM RATINGS (T<sub>j</sub> = 25°C)**

Symbol	Parameter	Conditions	Ratings	Unit
V <sub>CE</sub>	Collector-emitter voltage	G-E Short	3300	V
V <sub>GE</sub>	Gate-emitter voltage	C-E Short	±20	V
I <sub>C</sub>	Collector current	T <sub>c</sub> = 25°C	1200	A
I <sub>CM</sub>		Pulse (Note 2)	2400	A
I <sub>E</sub> (Note 1)	Emitter current	T <sub>c</sub> = 25°C	1200	A
I <sub>EM</sub> (Note 1)		Pulse (Note 2)	2400	A
P <sub>C</sub> (Note 3)	Maximum collector dissipation	T <sub>c</sub> = 25°C	10420	W
T <sub>j</sub>	Junction temperature		-40 ~ +150	°C
T <sub>stg</sub>	Storage temperature		-40 ~ +125	°C
V <sub>iso</sub>	Isolation voltage	Main terminal to Base, AC for 1 minute	6000	V
—	Mounting torque	Main terminals screw M8	6.67 ~ 8.24	N·m
		Mounting screw M6	2.84 ~ 3.43	N·m
		Auxiliary terminals screw M4	0.88 ~ 1.08	N·m
—	Weight	Typical value	2.2	kg

**ELECTRICAL CHARACTERISTICS (T<sub>j</sub> = 25°C)**

Symbol	Parameter	Test conditions	Limits			Unit
			Min	Typ	Max	
I <sub>CE</sub>	Collector cutoff current	V <sub>CE</sub> = V <sub>CE</sub> , V <sub>GE</sub> = 0V	—	—	15	mA
V <sub>GE(th)</sub>	Gate-emitter threshold voltage	I <sub>C</sub> = 120mA, V <sub>CE</sub> = 10V	4.5	6.0	7.5	V
I <sub>GES</sub>	Gate-leakage current	V <sub>GE</sub> = V <sub>GES</sub> , V <sub>CE</sub> = 0V	—	—	0.5	µA
V <sub>CE(sat)</sub>	Collector-emitter saturation voltage	T <sub>j</sub> = 25°C	—	4.40	5.72	V
		T <sub>j</sub> = 125°C	—	4.80	—	
C <sub>ies</sub>	Input capacitance	V <sub>CE</sub> = 10V V <sub>GE</sub> = 0V	—	130	—	nF
C <sub>oes</sub>	Output capacitance		—	7	—	nF
C <sub>res</sub>	Reverse transfer capacitance		—	3	—	nF
Q <sub>G</sub>	Total gate charge	V <sub>CC</sub> = 1650V, I <sub>C</sub> = 1200A, V <sub>GE</sub> = 15V	—	10	—	µC
t <sub>d(on)</sub>	Turn-on delay time	V <sub>CC</sub> = 1650V, I <sub>C</sub> = 1200A	—	—	1.60	µs
t <sub>r</sub>	Turn-on rise time	V <sub>GE1</sub> = V <sub>GE2</sub> = 15V	—	—	2.00	µs
t <sub>d(off)</sub>	Turn-off delay time	R <sub>G</sub> = 2.5Ω	—	—	2.50	µs
t <sub>f</sub>	Turn-off fall time	Resistive load switching operation	—	—	1.00	µs
V <sub>EC</sub> (Note 1)	Emitter-collector voltage	I <sub>E</sub> = 1200A, V <sub>GE</sub> = 0V	—	3.30	4.29	V
t <sub>rr</sub> (Note 1)	Reverse recovery time	I <sub>E</sub> = 1200A	—	—	1.20	µs
Q <sub>rr</sub> (Note 1)	Reverse recovery charge	die / dt = -2400A / µs	—	300	—	µC
R <sub>th(j-c)Q</sub>	Thermal resistance	IGBT part	—	—	0.012	°C/W
R <sub>th(j-c)R</sub>		FWDi part	—	—	0.024	°C/W
R <sub>th(c-f)</sub>	Contact thermal resistance	Case to fin, conductive grease applied	—	0.006	—	°C/W

- Note 1. I<sub>E</sub>, V<sub>EC</sub>, t<sub>rr</sub>, Q<sub>rr</sub> & die/dt represent characteristics of the anti-parallel, emitter to collector free-wheel diode.  
 2. Pulse width and repetition rate should be such that the device junction temp. (T<sub>j</sub>) does not exceed T<sub>jmax</sub> rating.  
 3. Junction temperature (T<sub>j</sub>) should not increase beyond 150°C.  
 4. Pulse width and repetition rate should be such as to cause negligible temperature rise.



**PRELIMINARY**  
 Notice: This is not a final specification.  
 Some parametric limits are subject to change.

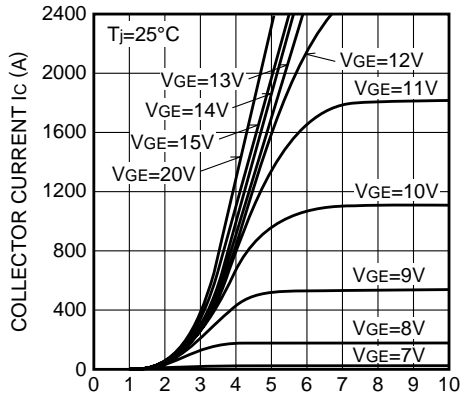
**CM1200HA-66H**

HIGH POWER SWITCHING USE  
 INSULATED TYPE

HVIGBT (High Voltage Insulated Gate Bipolar Transistor) Modules

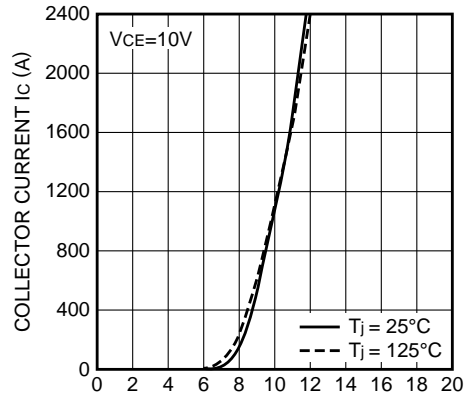
**PERFORMANCE CURVES**

**OUTPUT CHARACTERISTICS (TYPICAL)**



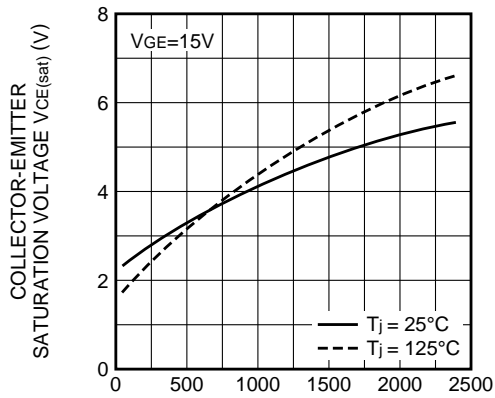
COLLECTOR-EMITTER SATURATION VOLTAGE  $V_{CE(sat)}$  (V)

**TRANSFER CHARACTERISTICS (TYPICAL)**



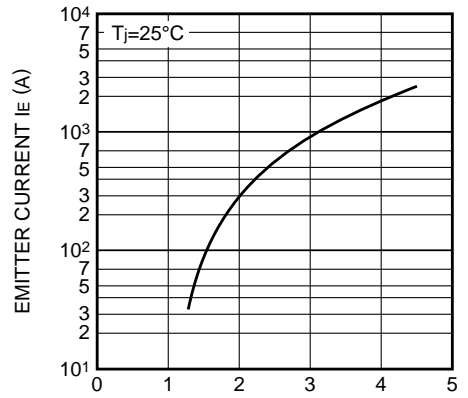
GATE-EMITTER VOLTAGE  $V_{GE}$  (V)

**COLLECTOR-EMITTER SATURATION VOLTAGE CHARACTERISTICS (TYPICAL)**



COLLECTOR CURRENT  $I_c$  (A)

**FREE-WHEEL DIODE FORWARD CHARACTERISTICS (TYPICAL)**



EMITTER-COLLECTOR VOLTAGE  $V_{EC}$  (V)