

Micropower Supply Voltage Supervisor (SVS)

Features

- Precision voltage sensor
- Two threshold options: 2.93V or 4.63V
- Stable over temperature
- Valid output logic while $V_{CC} = 0V$.
- Power-on reset pulse width of 140ms (min.) to 460ms (max.)
- Low quiescent current (40 μ A typ.)
- No external components required
- 3-pin SOT23 package
- "809" compatible pinout
- Lead-free versions available

Applications

- Critical μ P and μ C power monitoring
- PCI applications
- Memory integrity during "brownouts"

Product Description

The CM3403 is a micropower low voltage supply supervisor designed to provide the necessary power-on reset control for microprocessors and memory applications. An internal pull-down resistor on the $\overline{\text{RESET}}$ output ensures the output remains valid under all supply conditions.

During either a cold-start power-up or a complete power-down sequence, the $\overline{\text{RESET}}$ output will remain at 0V while the V_{CC} input voltage is between the threshold level and ground.

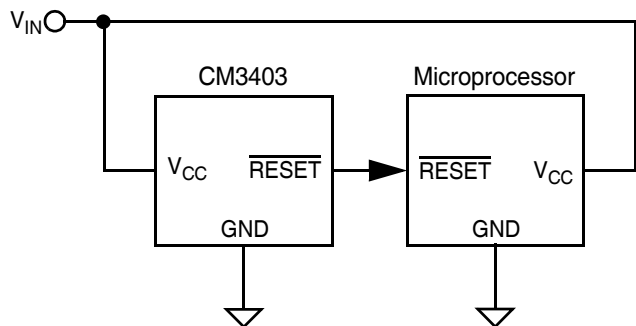
When the V_{CC} input exceeds the preset threshold voltage, an internal timer is triggered and the $\overline{\text{RESET}}$ output remains active for a minimum of 140ms, at which point the output is taken inactive.

In the event of a "brown-out" condition and the V_{CC} voltage collapses below the threshold the $\overline{\text{RESET}}$ output is immediately asserted.

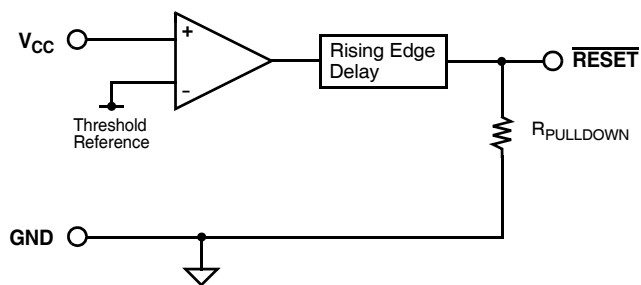
Both the trigger threshold and the precision delay pulse are internally controlled eliminating the requirement for external components.

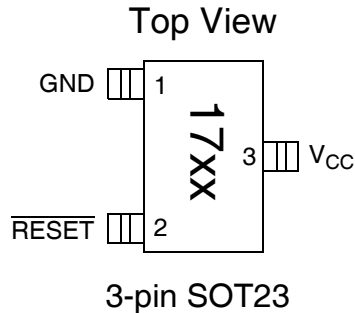
The CM3403 is housed in a 3-pin SOT23 package and is available with optional lead-free finishing.

Typical Application Circuit



Simplified Electrical Schematic



PACKAGE / PINOUT DIAGRAM


Note: This drawing is not to scale.

PIN DESCRIPTIONS

PIN(S)	NAME	DESCRIPTION
1	GND	Negative reference for all signals.
2	$\overline{\text{RESET}}$	Active low reset output. When the sense threshold has been exceeded, the $\overline{\text{RESET}}$ signal will remain active for an additional 140ms (min.) after which it becomes inactive. During a "brownout" condition, $\overline{\text{RESET}}$ will immediately become active. Internal circuitry ensures $\overline{\text{RESET}}$ will remain active even when the supply voltage is as low as 0V.
3	V_{CC}	Supply input signal which is monitored by the sense comparator. This input is compared to the 2.93V (CM3403-29ST/SO) or 4.63V (CM3403-46ST/SO) reference to determine the state of the output.

Ordering Information
PART NUMBERING INFORMATION

Pins	Threshold Voltage	Package	Standard Finish		Lead-free Finish	
			Ordering Part Number ¹	Part Marking	Ordering Part Number ¹	Part Marking
3	2.93V	SOT23-3	CM3403-29ST	172Y	CM3403-29SO	172R
3	4.63V	SOT23-3	CM3403-46ST	174Y	CM3403-46SO	174R

Note 1: Parts are shipped in Tape & Reel form unless otherwise specified.

Specifications
ABSOLUTE MAXIMUM RATINGS

PARAMETER	RATING	UNITS
Pin Voltages		
V_{CC}	[GND - 0.5] to +6.5	V
\overline{RESET}	[GND - 0.5] to [$V_{CC} + 0.5$]	V
Storage Temperature Range	-40 to +150	°C
Operating Temperature Range Ambient	-40 to +125	°C

STANDARD OPERATING CONDITIONS

PARAMETER	VALUE	UNITS
V_{CC}	0 to 6.0	V
Ambient Operating Temperature Range	0 to +70	°C

ELECTRICAL OPERATING CHARACTERISTICS (SEE NOTE 1)

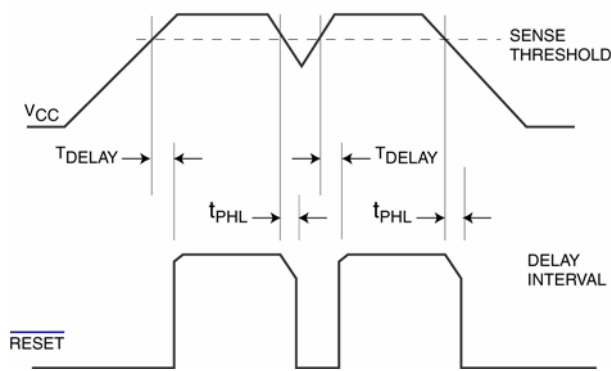
SYMBOL	PARAMETER	CONDITIONS	MIN	TYP	MAX	UNITS
V_{TH}	Sense Threshold	CM3403-29, $T_A=25^\circ\text{C}$	2.89	2.93	2.96	V
		CM3403-29	2.85	2.93	3.00	V
		CM3403-46, $T_A=25^\circ\text{C}$	4.56	4.63	4.7	V
		CM3403-46	4.5	4.63	4.75	V
I_{CC}	Supply Current	No load, $V_{CC}=5\text{V}$		40	80	μA
T_{DELAY}	Reset Release Delay		140		460	mS
t_{PHL}	Propagation Delay when asserting \overline{RESET}	$V_{CC} < (V_{TH} - 50\text{mV})$		0.2	5	μS
$R_{PULLDOWN}$	\overline{RESET} Pull-Down Resistance	$V_{CC} > 1.5\text{V}$		0.5	3	$\text{k}\Omega$
R_{PULLUP}	\overline{RESET} Pull-Up Resistance	$V_{CC} > V_{TH}$ and $t > T_{DELAY}$		0.5	3	$\text{k}\Omega$

Note 1: Electrical Operating Characteristics are specified over the Standard Operating Conditions unless specified otherwise.

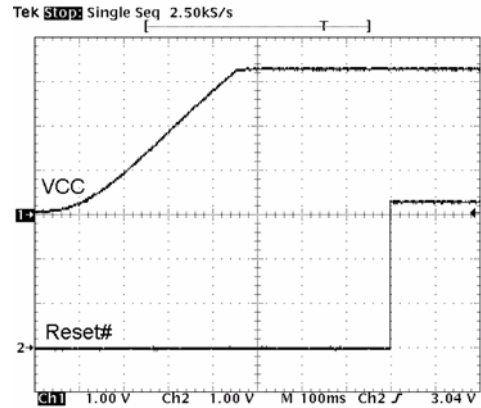
Performance Information

CM3403 Typical Characteristics (nominal conditions unless specified otherwise)

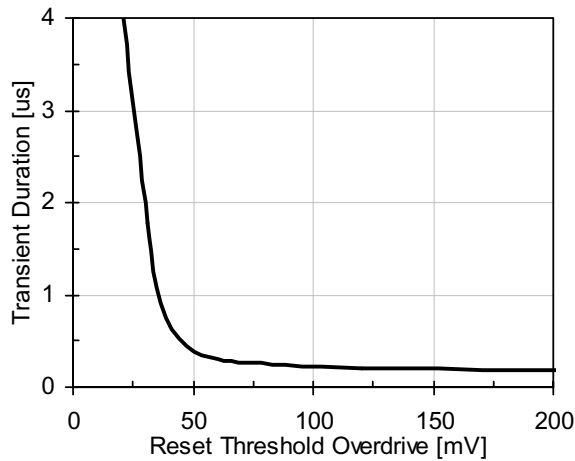
Transient Operation Description



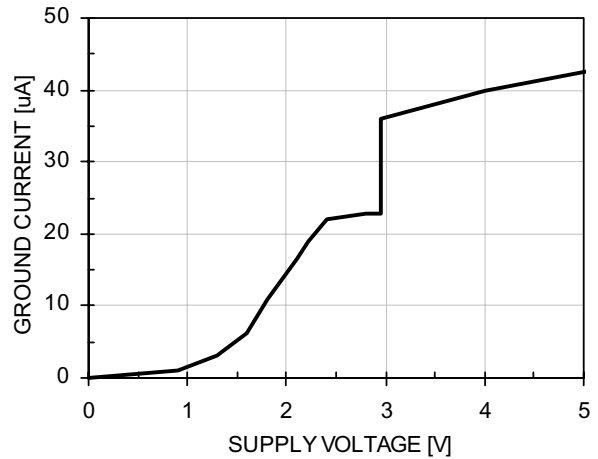
Power-up Reset Response



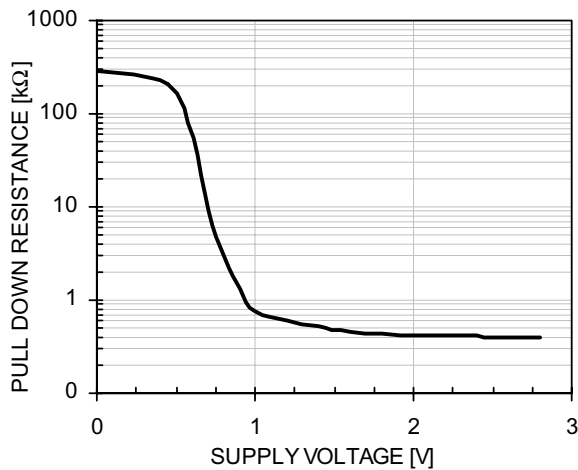
Reset Response with Overdrive



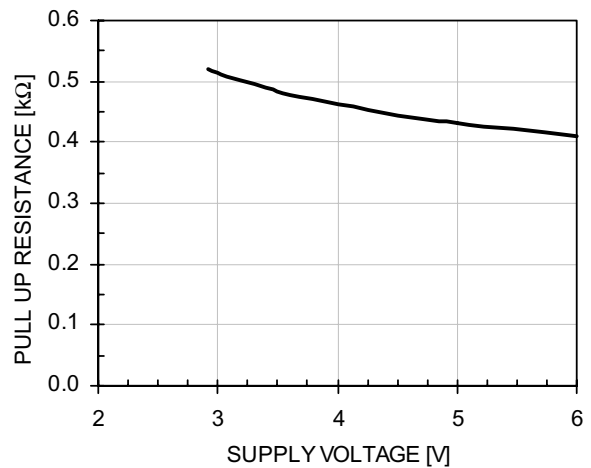
Ground Current vs. Voltage



Below Trigger RESET* Pull-down



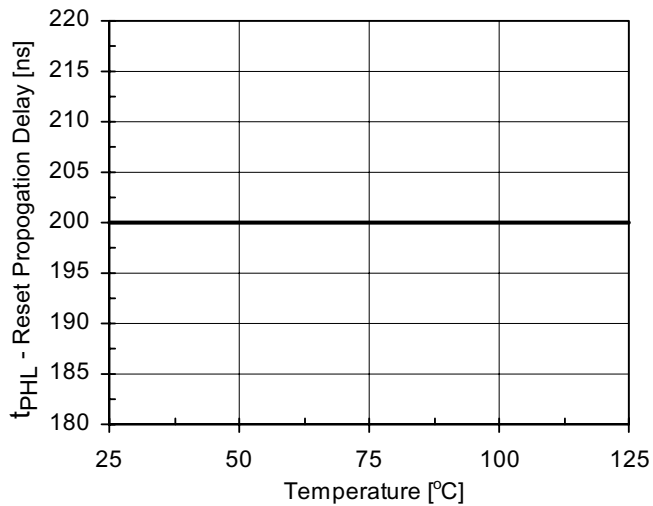
Above Trigger RESET* Pull-up



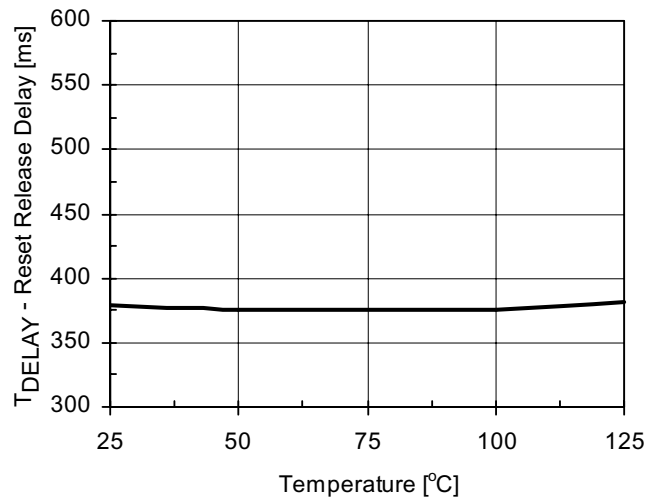
Performance Information (cont'd)

CM3403 Typical Thermal Characteristics (nominal conditions unless specified otherwise)

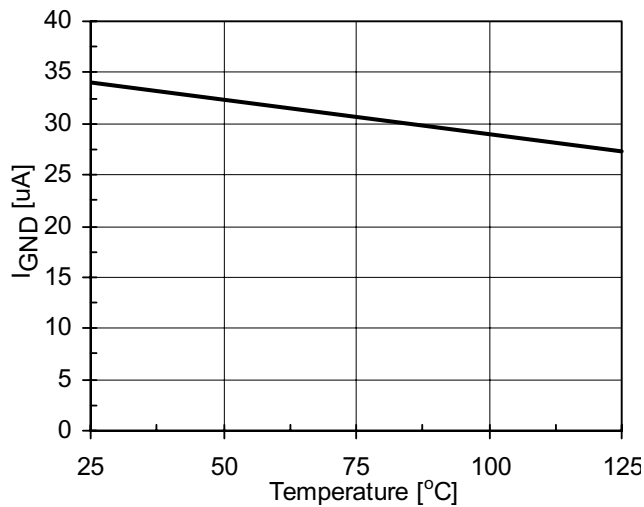
RESET Propagation Delay vs. Temperature



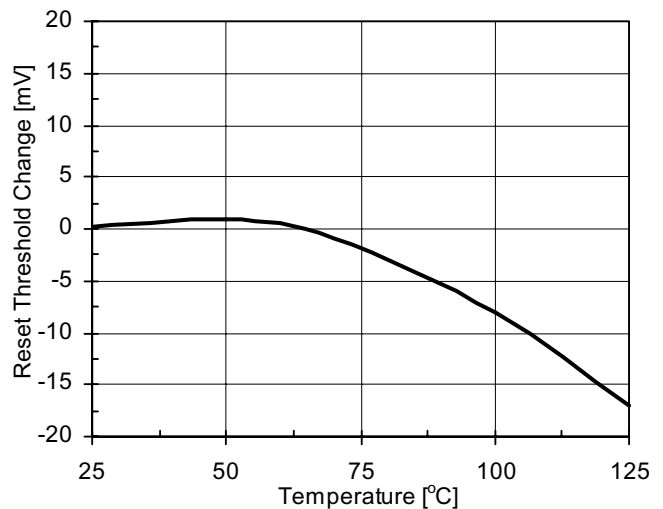
RESET Release Delay vs. Temperature



Ground Current vs. Temperature



Threshold variation vs. Temperature



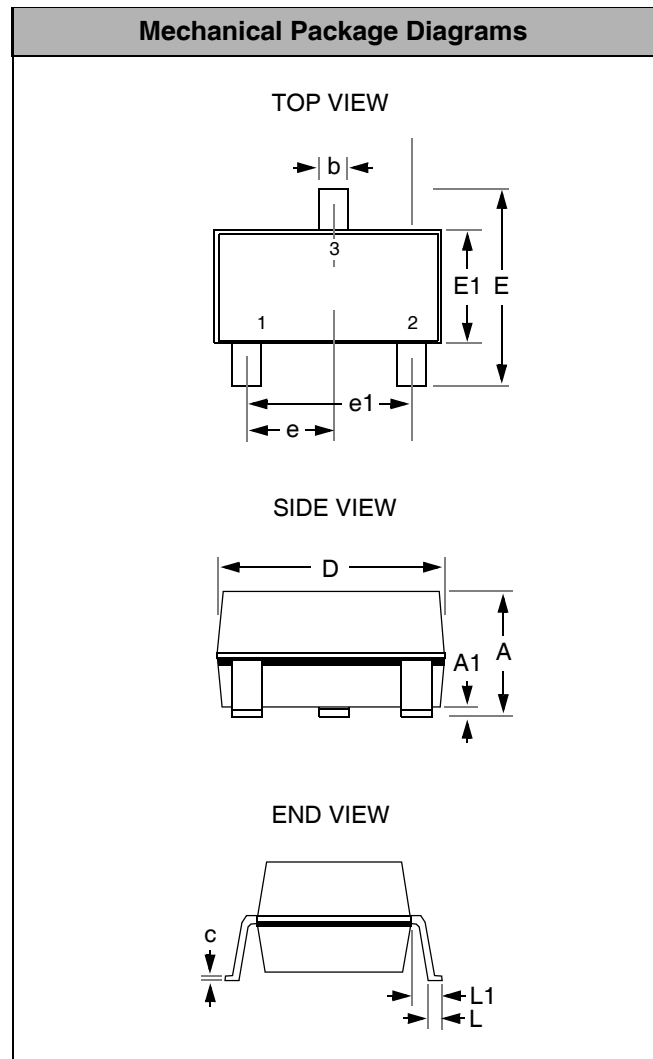
Mechanical Details

SOT23-3 Mechanical Specifications

Dimensions for CM3403 devices packaged in 3-lead SOT23 packages are presented below.

For complete information on the SOT23-3 package, see the California Micro Devices SOT23 Package Information document.

PACKAGE DIMENSIONS				
Package	SOT23-3			
JEDEC No.	TO-236 (Var. AB)			
Pins/Leads	3			
Dimensions	Millimeters		Inches	
	Min	Max	Min	Max
A	0.89	1.12	0.0350	0.0441
A1	0.01	0.10	0.0004	0.0039
b	0.30	0.50	0.0118	0.0197
c	0.08	0.20	0.0031	0.0079
D	2.80	3.04	0.1102	0.1197
E	2.10	2.64	0.0827	0.1039
E1	1.20	1.40	0.0472	0.0551
e	0.95 BSC		0.0374 BSC	
e1	1.90 BSC		0.0748 BSC	
L	0.40	0.60	0.0157	0.0236
L1	0.54 REF		0.0213 REF	
# per tape and reel	3000 pieces			
Controlling dimension: millimeters				



Package Dimensions for SOT23-3.