



Central™

Semiconductor Corp.

DESCRIPTION:

The CENTRAL SEMICONDUCTOR CMOD4448 type is a ultra-high speed silicon switching diode manufactured by the epitaxial planar process, epoxy molded in an ULTRAmi™ surface mount package, designed for high speed switching applications. Marking code is 48.

MAXIMUM RATINGS: (T_A=25°C)

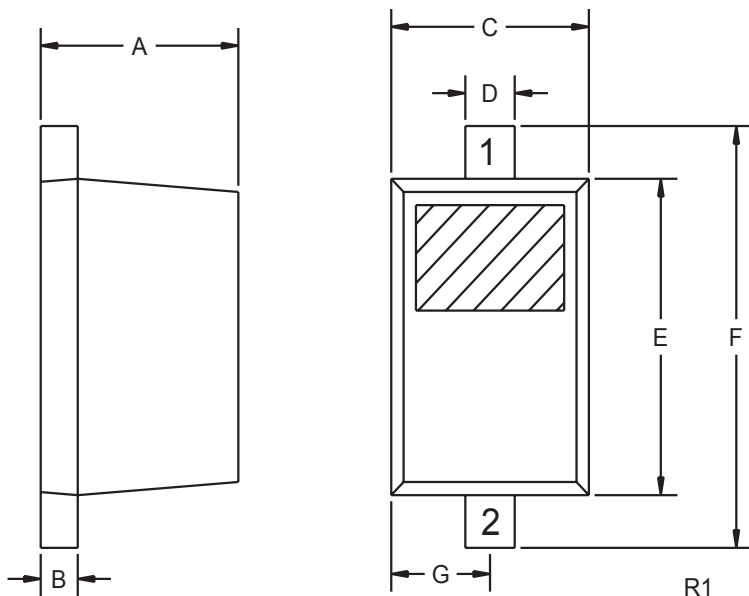
	SYMBOL		UNITS
Continuous Reverse Voltage	V _R	75	V
Peak Repetitive Reverse Voltage	V _{RRM}	100	V
Continuous Forward Current	I _F	250	mA
Peak Repetitive Forward Current	I _{FRM}	250	mA
Forward Surge Current, tp=1 μsec.	I _{FSM}	4000	mA
Forward Surge Current, tp=1 sec.	I _{FSM}	1000	mA
Power Dissipation	P _D	250	mW
Operating and Storage Junction Temperature	T _J , T _{stg}	-65 to +150	°C
Thermal Resistance	Θ _{JA}	500	°C/W

ELECTRICAL CHARACTERISTICS: (T_A=25°C unless otherwise noted)

SYMBOL	TEST CONDITIONS	MIN	MAX	UNITS
V _{BR}	I _R =5.0μA	75		V
V _{BR}	I _R =100μA	100		V
I _R	V _R =20V		25	nA
V _F	I _F =5.0mA	0.62	0.72	V
V _F	I _F =100mA		1.0	V
C _T	V _R =0, f=1 MHz		4.0	pF
t _{tr}	I _R =I _F =10mA, R _L =100Ω, Rec. to 1.0mA		4.0	ns

R1 (20-July 2001)

SOD-523 - MECHANICAL OUTLINE



LEAD CODE:

- 1) Cathode
- 2) Anode

MARKING CODE: 48

DIMENSIONS				
SYMBOL	INCHES		MILLIMETERS	
	MIN	MAX	MIN	MAX
A	0.020	0.031	0.50	0.80
B	0.004	0.008	0.10	0.20
C	0.028	0.035	0.70	0.90
D	0.008	0.011	0.20	0.28
E	0.039	0.055	1.00	1.40
F	0.055	0.071	1.40	1.80
G	0.016		0.40	

SOD-523 (REV: R1)