

CMOD6001
 ULTRAmi™
 SURFACE MOUNT LOW LEAKAGE
 SWITCHING DIODE
 SOD-523 CASE

ULTRAmi™

 SOD-523 CASE

Central™

Semiconductor Corp.

DESCRIPTION:

The CENTRAL SEMICONDUCTOR CMOD6001 type is a silicon switching diode manufactured by the epitaxial planar process, epoxy molded in a ULTRAmi™ surface mount package, designed for switching applications requiring a extremely low leakage diode.

The marking code is 61.

MAXIMUM RATINGS: (T_A=25°C)

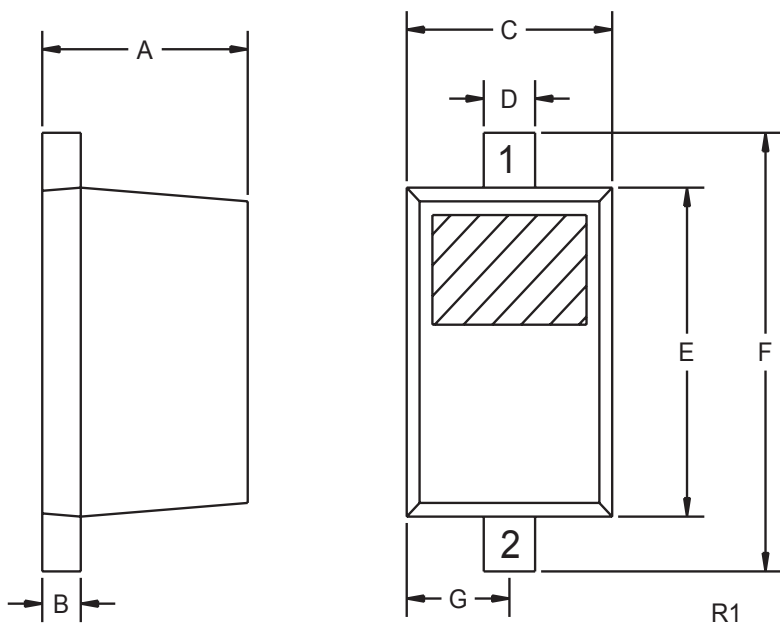
	SYMBOL		UNITS
Continuous Reverse Voltage	V _R	75	V
Peak Repetitive Reverse Voltage	V _{RRM}	100	V
Continuous Forward Current	I _F	250	mA
Peak Repetitive Forward Current	I _{FRM}	250	mA
Forward Surge Current, tp=1.0 μsec.	I _{FSM}	4000	mA
Forward Surge Current, tp=1.0 sec.	I _{FSM}	1000	mA
Power Dissipation	P _D	250	mW
Operating and Storage			
Junction Temperature	T _J , T _{stg}	-65 to +150	°C
Thermal Resistance	θ _{JA}	500	°C/W

ELECTRICAL CHARACTERISTICS: (T_A=25°C unless otherwise noted)

SYMBOL	TEST CONDITIONS	MIN	MAX	UNITS
I _R	V _R =75V		500	pA
V _{BR}	I _R =100μA	100		V
V _F	I _F =1.0mA		0.85	V
V _F	I _F =10mA		0.95	V
V _F	I _F =100mA		1.1	V
C _T	V _R =0, f=1.0MHz		2.0	pF
t _{rr}	I _R =I _F =10mA, R _L =100Ω, Rec. to 1.0mA		3.0	μs

R1 (18-June 2001)

SOD-523 - MECHANICAL OUTLINE



LEAD CODE:

- 1) Cathode
- 2) Anode

MARKING CODE: 61

SYMBOL	INCHES		MILLIMETERS	
	MIN	MAX	MIN	MAX
A	0.020	0.031	0.50	0.80
B	0.004	0.008	0.10	0.20
C	0.028	0.035	0.70	0.90
D	0.008	0.011	0.20	0.28
E	0.039	0.055	1.00	1.40
F	0.055	0.071	1.40	1.80
G	0.016		0.40	

SOD-523 (REV: R1)

R1 (18-June 2001)