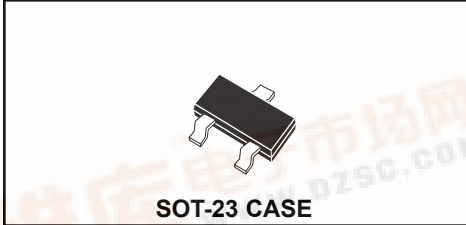


CMPD2836
CMPD2838

SURFACE MOUNT
DUAL, SILICON
SWITCHING DIODES



CentralTM

Semiconductor Corp.

DESCRIPTION:

The Central Semiconductor CMPD2836 and CMPD2838 types are ultra-high speed switching diodes manufactured by the epitaxial planar process, in an epoxy molded surface mount package, designed for high speed switching applications.

The following configurations are available:

CMPD2836 DUAL, COMMON ANODE
CMPD2838 DUAL, COMMON CATHODE

MARKING CODE: CA2
MARKING CODE: CA6

MAXIMUM RATINGS: (T_A=25°C)

Peak Repetitive Reverse Voltage
Average Forward Current
Peak Forward Current
Power Dissipation
Operating and Storage
Junction Temperature
Thermal Resistance

SYMBOL		UNITS
V _{RRM}	75	V
I _O	200	mA
I _{FM}	300	mA
P _D	350	mW
T _J , T _{stg}	-65 to +150	°C
θ _{JA}	357	°C/W

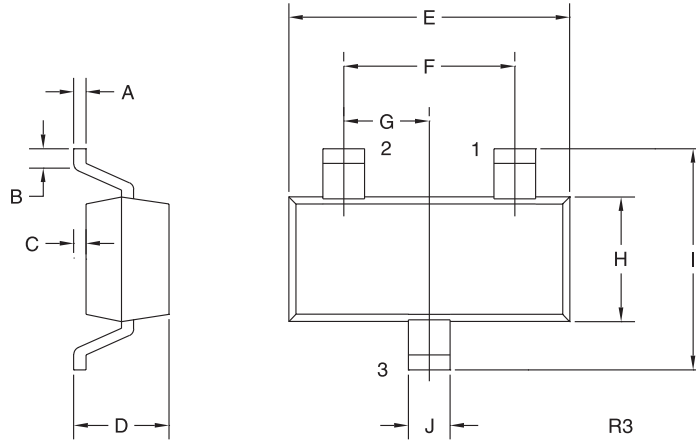
ELECTRICAL CHARACTERISTICS PER DIODE: (T_A=25°C unless otherwise noted)

SYMBOL	TEST CONDITIONS	MIN	TYP	MAX	UNITS
BV _R	I _R =100μA	75			V
I _R	V _R =50V			100	nA
V _F	I _F =10mA			1.0	V
V _F	I _F =50mA			1.0	V
V _F	I _F =100mA			1.2	V
C _T	V _R =0, f=1.0MHz		1.5	4.0	pF
t _{rr}	I _R =I _F =10mA, R _L =100Ω, Rec. to 1.0mA			4.0	ns

R5 (6-August 2003)



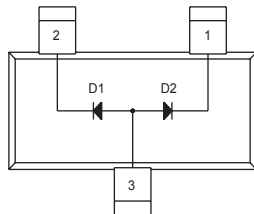
SOT-23 CASE - MECHANICAL OUTLINE



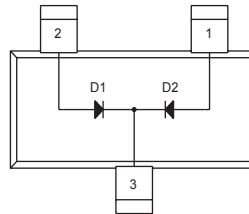
**MARKING CODE:
CMPD2836: CA2
CMPD2838: CA6**

SYMBOL	INCHES		MILLIMETERS	
	MIN	MAX	MIN	MAX
A	0.003	0.007	0.08	0.18
B	0.006	-	0.15	-
C	-	0.005	-	0.13
D	0.035	0.043	0.89	1.09
E	0.110	0.120	2.80	3.05
F	0.075		1.90	
G	0.037		0.95	
H	0.047	0.055	1.19	1.40
I	0.083	0.098	2.10	2.49
J	0.014	0.020	0.35	0.50

SOT-23 (REV: R3)



**LEAD CODE:
CMPD2836**
1) Cathode D2
2) Cathode D1
3) Anode D1, Anode D2



**LEAD CODE:
CMPD2838**
1) Anode D2
2) Anode D1
3) Cathode D1, Cathode D2